

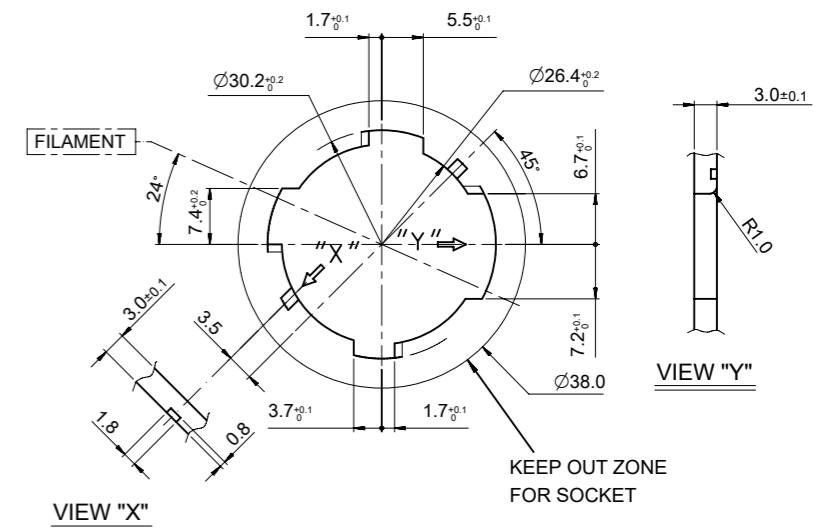
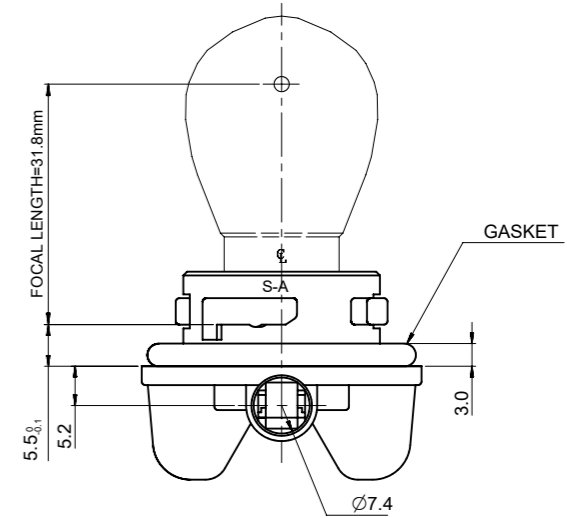
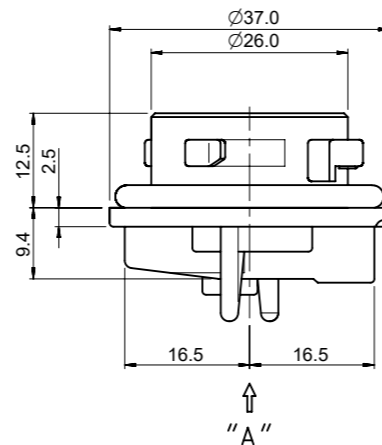
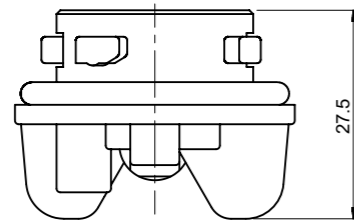
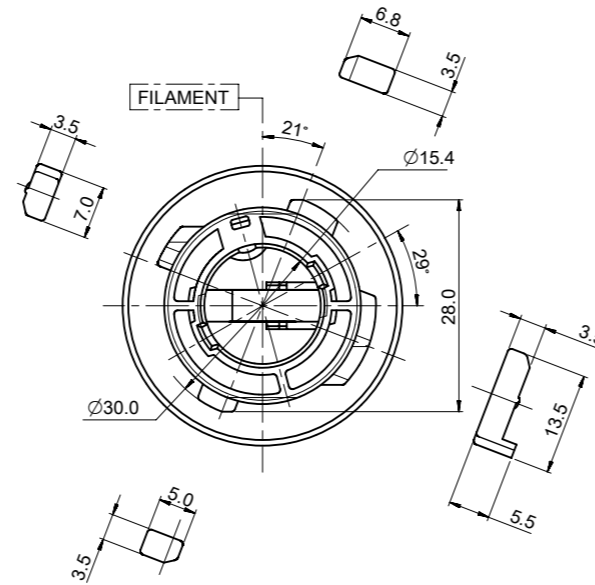
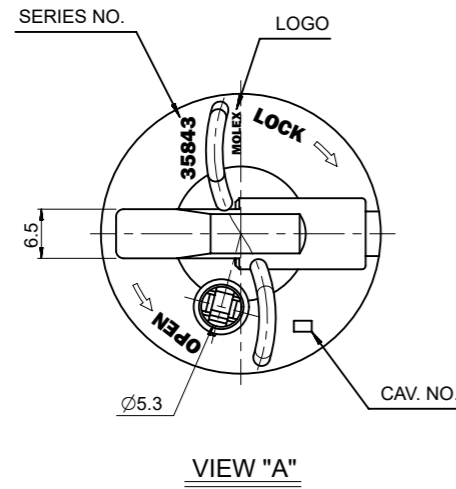
NOTES

1. FOCAL LENGTH =31.8mm
2. PRODUCT SPECIFICATION: PS-35842-001
3. APPLICABLE BULB CAP: P21W(BA15s)
4. MATES WITH

NO.	DESCRIPTION	MATERIAL	ORDER NO.	REMARK
③	POSITIVE TERMINAL	PHOSPHOR BRONZE	35464-8000	UNPLATED
④	POSITIVE WIRE SEAL	SILICONE	35903-0096	BROWN
⑤	EARTH TERMINAL	PHOSPHOR BRONZE	35465-8000	UNPLATED
⑥	EARTH WIRE SEAL	SILICONE	35903-0106	BLUE

<PART LIST>

NO.	DESCRIPTION	MATERIAL	USAGE	REMARK
①	SINGLE SOCKET	PA66 M/F	1	A TYPE
②	SEAL GASKET	NBR	1	BLACK



MOUNTING INTERFACE (MI-1)

<TABLE 1>

MATERIAL NO.	ORDER NO.	COLOR
358431205	35843-1205	GRAY
358431206	35843-1206	WHITE

THIS DRAWING CONTAINS INFORMATION THAT IS PROPRIETARY TO MOLEX ELECTRONIC TECHNOLOGIES, LLC AND SHOULD NOT BE USED WITHOUT WRITTEN PERMISSION

DIMENSION UNITS: mm	SCALE: 1:1	CURRENT REV DESC: OBSOLETE PART NUMBERS AS PER PCN 508518	molex			
GENERAL TOLERANCES (UNLESS SPECIFIED)		EC NO: 671087				SEALED PT BULB SOCKET SINGLE HOUSING ASS'Y (A-TYPE)
4 PLACES ±		DRWN: RPRABHUM	2021/05/25			
3 PLACES ±		CHK'D: GGA	2021/08/06			
2 PLACES ± 0.15		APPR: GGA	2021/08/06			
1 PLACE ± 0.25		INITIAL REVISION:	PRODUCT CUSTOMER DRAWING			
0 PLACES ±		DRWN: YSIKKIM	DOCUMENT NUMBER			
ANGULAR TOL ± 2.0°		APPR: CWLEE	SD-35843-001			
DRAFT WHERE APPLICABLE MUST REMAIN WITHIN DIMENSIONS	THIRD ANGLE PROJECTION	DRAWING: A3-SIZE	SERIES: 35843	MATERIAL NUMBER: SEE TABLE 1	CUSTOMER: GENERAL MARKET	SHEET NUMBER: 1 OF 1

