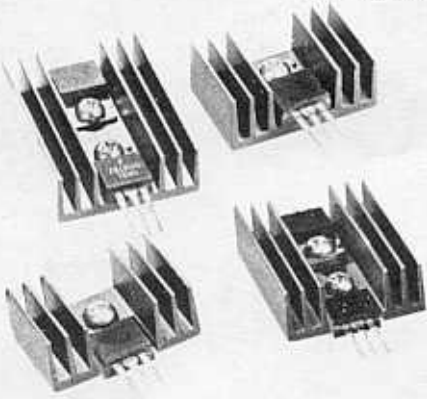
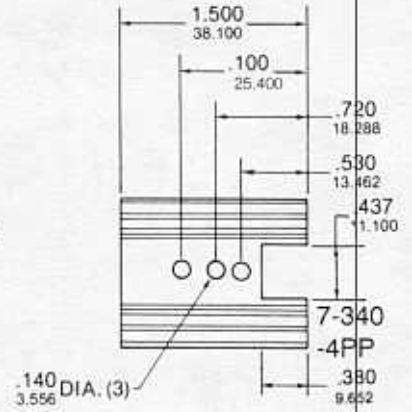
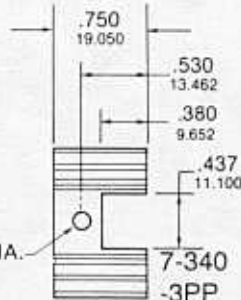
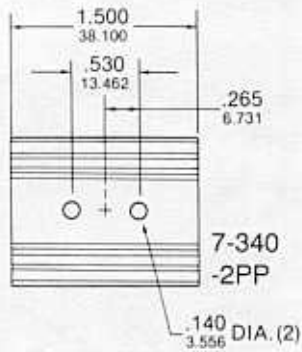
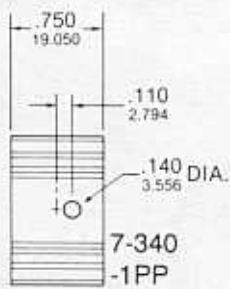
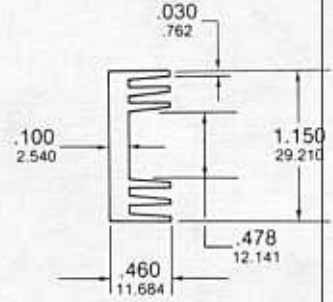
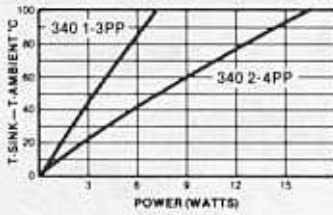


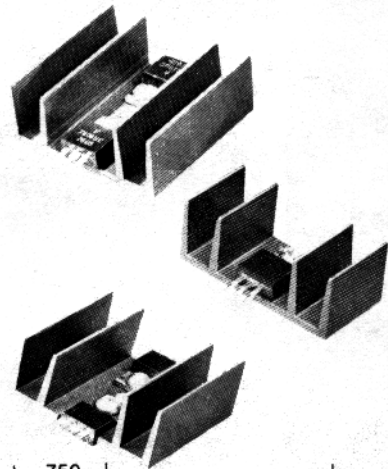
# Standard Heat Sinks



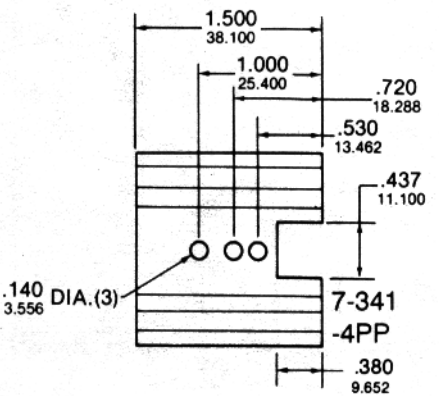
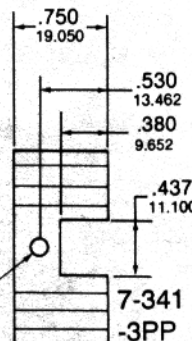
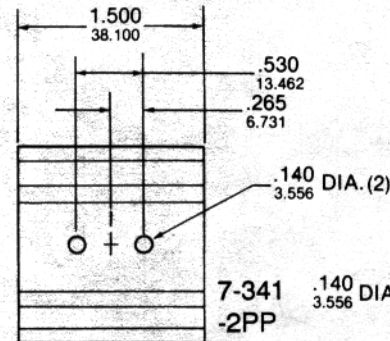
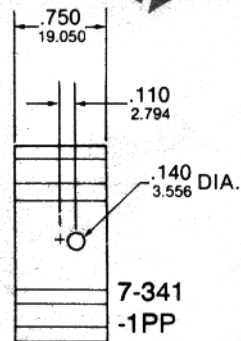
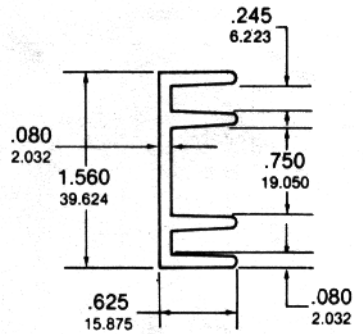
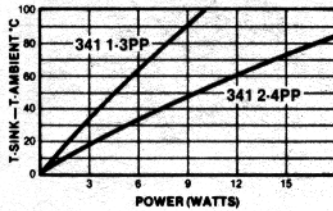
Material.... 6063-T5 Aluminum  
Finish..... Black Anodize



7-340-1,-2,-3,-4



Material.... 6063-T5 Aluminum  
Finish..... Black Anodize



7-341-1,-2,-3,-4

## Low Power