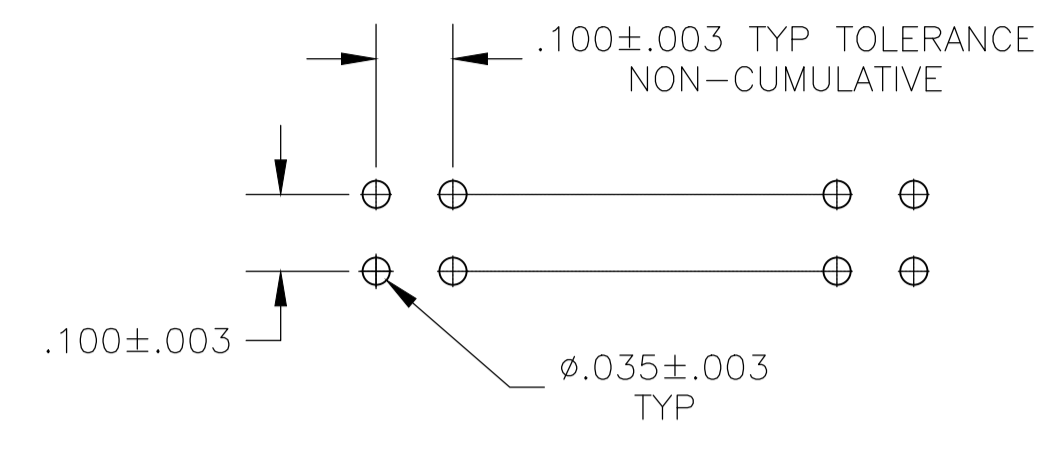
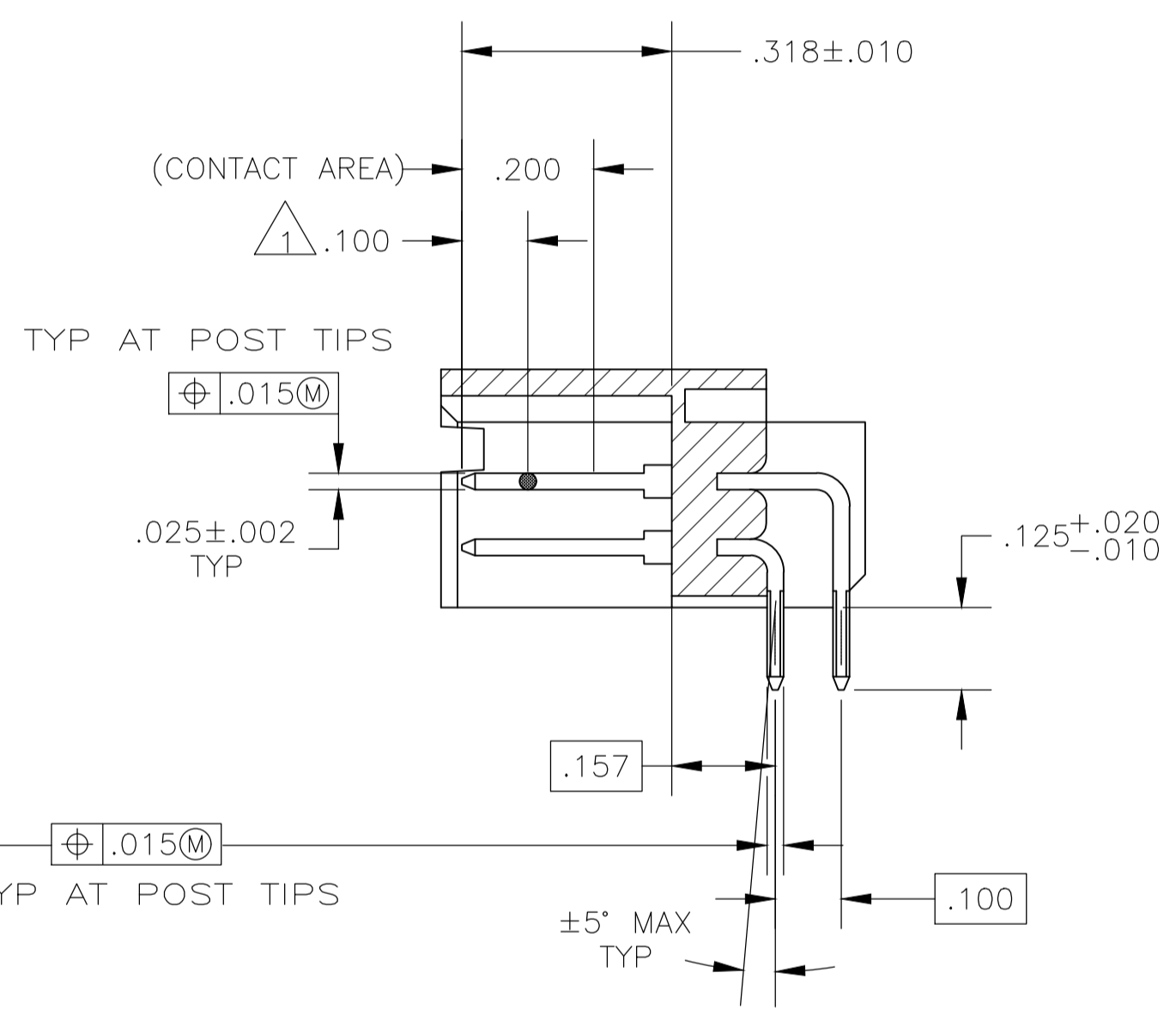
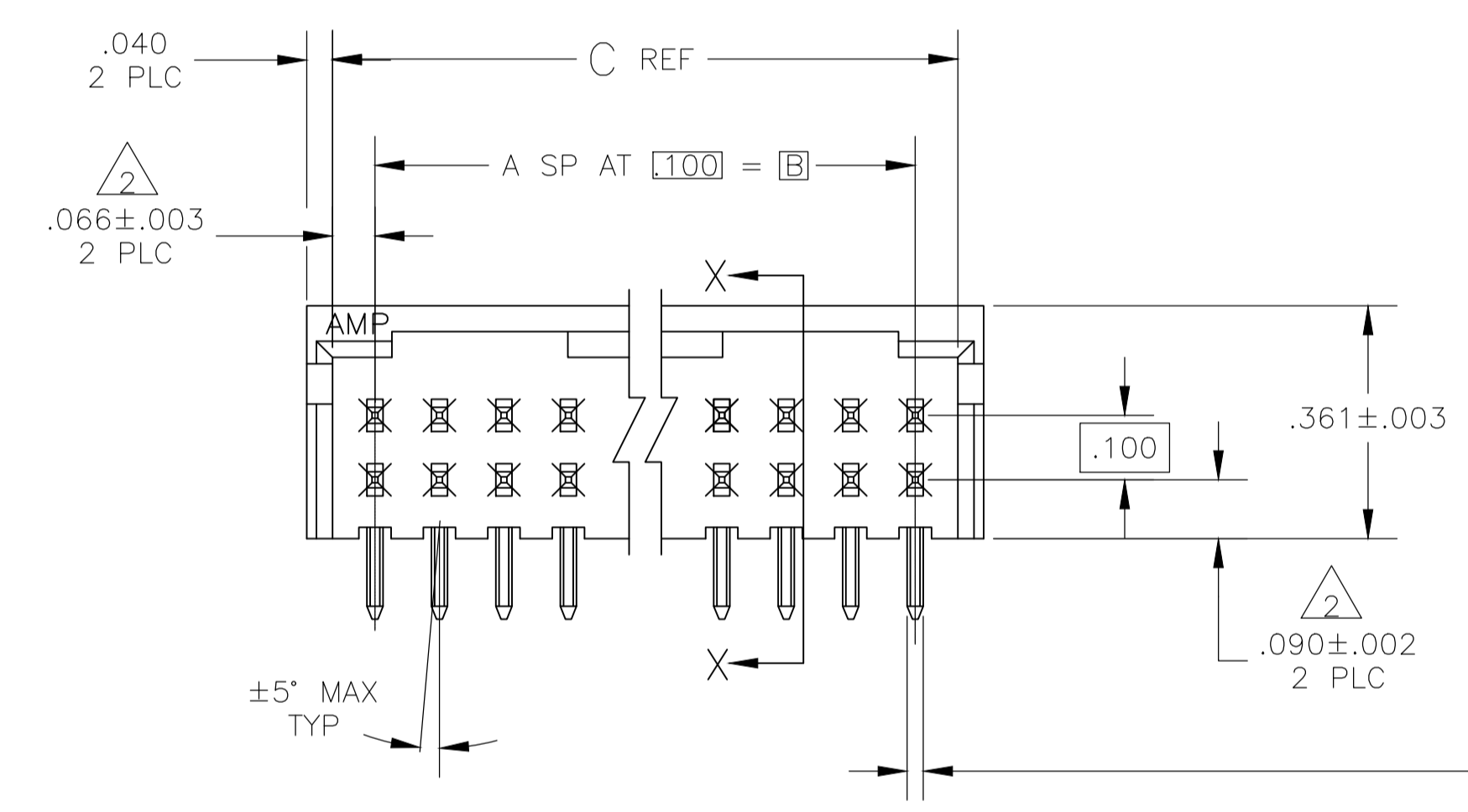
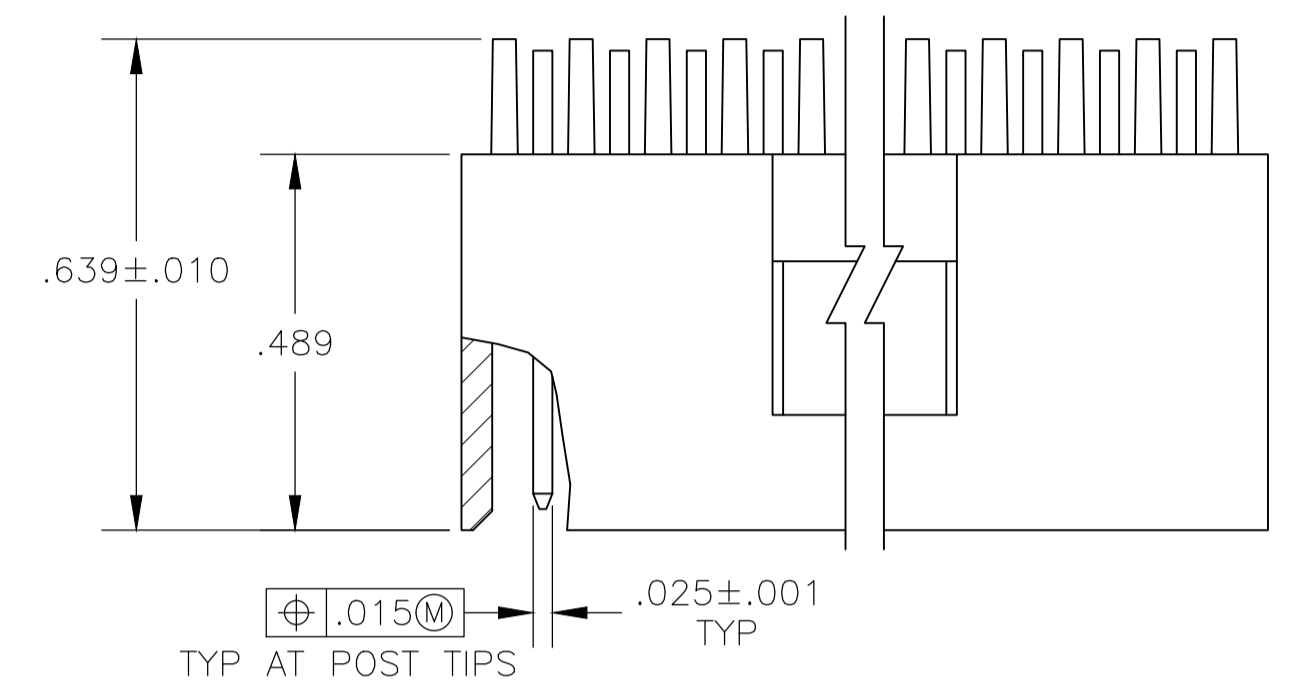


| REVISIONS | | | | | |
|-----------|-----|--|-----------|-----|------|
| P | LTR | DESCRIPTION | DATE | DMN | APVD |
| K2 | | PART STATUS UPDATED IN PART LIST TABLE | 05FEB2018 | SD | PS |



RECOMMENDED HOLE LAYOUT



SECTION X-X

- 1 POINT OF MEASUREMENT FOR PLATING THICKNESS.
- 2 THE NOTED DIMENSION APPLIES AT THE INTERSECTION OF THE POST AND HOUSING
- 3 POSTS: .000015 GOLD IN CONTACT AREA, .000100-.000200 MATTE TIN-LEAD ON SOLDER TAIL, ALL OVER .000050 NICKEL.
- 4 POSTS: .000015 GOLD IN CONTACT AREA, .000100-.000200 MATTE TIN ON SOLDER TAIL, ALL OVER .000050 NICKEL.
- 5 OBSOLETE PARTS: OBSOLETE CIS STREAMLINING PER D.RENAUD/D.SINISI

| REV | DESCRIPTION | DATE | DMN | APVD |
|-----|-------------|------|-----|------|
| 1 | | | | |
| 2 | | | | |
| 3 | | | | |
| 4 | | | | |
| 5 | | | | |
| 6 | | | | |
| 7 | | | | |
| 8 | | | | |
| 9 | | | | |
| 10 | | | | |
| 11 | | | | |
| 12 | | | | |
| 13 | | | | |
| 14 | | | | |
| 15 | | | | |
| 16 | | | | |
| 17 | | | | |
| 18 | | | | |
| 19 | | | | |
| 20 | | | | |
| 21 | | | | |
| 22 | | | | |
| 23 | | | | |
| 24 | | | | |
| 25 | | | | |
| 26 | | | | |
| 27 | | | | |
| 28 | | | | |
| 29 | | | | |
| 30 | | | | |
| 31 | | | | |
| 32 | | | | |
| 33 | | | | |
| 34 | | | | |
| 35 | | | | |
| 36 | | | | |
| 37 | | | | |
| 38 | | | | |
| 39 | | | | |
| 40 | | | | |
| 41 | | | | |
| 42 | | | | |
| 43 | | | | |
| 44 | | | | |
| 45 | | | | |
| 46 | | | | |
| 47 | | | | |
| 48 | | | | |
| 49 | | | | |
| 50 | | | | |
| 51 | | | | |
| 52 | | | | |
| 53 | | | | |
| 54 | | | | |
| 55 | | | | |
| 56 | | | | |
| 57 | | | | |
| 58 | | | | |
| 59 | | | | |
| 60 | | | | |
| 61 | | | | |
| 62 | | | | |
| 63 | | | | |
| 64 | | | | |
| 65 | | | | |
| 66 | | | | |
| 67 | | | | |
| 68 | | | | |
| 69 | | | | |
| 70 | | | | |
| 71 | | | | |
| 72 | | | | |
| 73 | | | | |
| 74 | | | | |
| 75 | | | | |
| 76 | | | | |
| 77 | | | | |
| 78 | | | | |
| 79 | | | | |
| 80 | | | | |
| 81 | | | | |
| 82 | | | | |
| 83 | | | | |
| 84 | | | | |
| 85 | | | | |
| 86 | | | | |
| 87 | | | | |
| 88 | | | | |
| 89 | | | | |
| 90 | | | | |
| 91 | | | | |
| 92 | | | | |
| 93 | | | | |
| 94 | | | | |
| 95 | | | | |
| 96 | | | | |
| 97 | | | | |
| 98 | | | | |
| 99 | | | | |
| 100 | | | | |

SUPERCEDED BY 1-103164-1

| PLATING | C | B | A | NO OF POSN | PART NUMBER |
|---------|---|---|---|------------|-------------|
| | | | | | |

| | | | | |
|--|--|------------------------|-----------------|--------------|
| THIS DRAWING IS A CONTROLLED DOCUMENT. | | DIN H MOLL 16NOV87 | TE Connectivity | |
| DIMENSIONS: INCHES | | CHK R FRIDT 16NOV87 | | |
| TOLERANCES UNLESS OTHERWISE SPECIFIED: | | APVD R FLICKER 16NOV87 | NAME | |
| 0 PLC ± - | | PRODUCT SPEC | | |
| 1 PLC ± - | | APPLICATION SPEC | | |
| 2 PLC ± - | | SIZE | | |
| 3 PLC ± .005 | | CAGE CODE | | |
| 4 PLC ± - | | DRAWING NO | | |
| ANGLES ± - | | RESTRICTED TO | | |
| MATERIAL: HOUSING: PLATE: REFRIGERANT: COLOR: BRASS: POSTPHOS BRONZE | | WEIGHT | | SCALE |
| FINISH: SEE TABLE | | A1 00779 | | 4:1 |
| | | C=102055 | | SHEET 1 OF 1 |
| | | CUSTOMER DRAWING | | REV K2 |