

THIS DRAWING IS A CONTROLLED DOCUMENT.

-	-	-	189	-	-	-	124	-	-	-	59
-	-	-	188	-	-	-	123	-	-	-	58
-	-	-	187	-	-	-	122	-	-	-	57
1	22294-6	ELBOW, TUBING .12NPT-.25T	186	-	-	-	121	-	-	-	56
25"	27319-4	TUBING, POLY-FLO .25 DIA	185	-	-	-	120	-	-	-	55
-	-	-	184	-	-	-	119	1	22733-7	SCR., BHC, NYLOK 8-32 .38	54
-	-	-	183	-	-	-	118	1	819404-1	ANVIL	53
3	2-21000-6	SCR., SHC 8-32 X .38	182	-	-	-	117	2	2-21000-1	SCR., SHC. 6-32 X .62	52
-	-	-	181	-	-	-	116	1	819396-1	PLATE, REAR SHEAR	51
-	-	-	180	-	-	-	115	1	819395-1	SPACER, SHEAR PLATE, FRONT	50
-	-	-	179	-	-	-	114	1	819403-1	PLATE, FRONT SHEAR	49
-	-	-	178	-	-	-	113	1	844301-1	PLATE, STRIP GUIDE	48
-	-	-	177	-	-	-	112	1	844302-1	PLATE, BASE	47
-	-	-	176	-	-	-	111	1	844307-1	RAM	46
-	-	-	175	-	-	-	110	2	21022-2	NUT, HEX, SELF LOCKING 8-32	45
-	-	-	174	-	-	-	109	2	2-22281-5	SPRING, COMPRESSION	44
-	-	-	173	-	-	-	108	2	21055-6	WASHER, PLAIN #8	43
-	-	-	172	1	374999	PLATE, TENSION ADJUSTMENT	107	2	1-21989-5	SCR., SOC. HD. SHLD .188 X 1.25	42
-	-	-	171	2	21018-6	NUT, HEX 8-32	106	1	819389-1	DRAG	41
-	-	-	170	2	21078-8	SCR., SET 8-32 X .50	105	1	819419-1	MOUNT, FEED BRACKET	40
-	-	-	169	-	-	-	104	2	21024-5	WASHER, LOCK #10	39
-	-	-	168	-	-	-	103	4	21055-7	WASHER, PLAIN #10	38
-	-	-	167	-	-	-	102	2	4-21000-1	SCR., SHC. 10-32 X 1.50	37
-	-	-	166	-	-	-	101	2	3-21001-4	SCR., SHC. 3/8-16 X .88	36
-	-	-	165	-	-	-	100	1	21001-1	SCR., SHC. 1/4-20 X .38	35
-	-	-	164	-	-	-	99	2	21001-9	SCR., SHC. 1/4-20 X 1.75	34
-	-	-	163	-	-	-	98	1	454485-1	HOUSING, APPLICATOR	33
-	-	-	162	-	-	-	97	3	2-22733-8	SCR., BHC 1/4-20 X .62	32
-	-	-	161	-	-	-	96	1	454220-1	CAP, HOUSING	31
-	-	-	160	-	-	-	95	1	844308-1	CRIMPER, WIRE .120 "F"	30
1	819397-1	SPACER, SHEAR PLATE, REAR	159	-	-	-	94	-	-	-	29
1	820191-1	PLATE, HOLD DOWN	158	-	-	-	93	1	7-21002-9	SCR., BHC. 5/16-24 x 1.00	28
2	21017-2	SCR., DRIVE #2 X .19	157	-	-	-	92	-	-	-	27
1	461264-1	PLATE, IDENTIFICATION	156	3	2-21000-7	SCR., SHC 8-32 X .50	91	-	-	-	26
-	-	-	155	-	-	-	90	1	456468-4	STRIPPER	25
-	-	-	154	1	844309-1	BLADE, SLUG	89	1	22292-2	COLLAR, SHAFT .18 ID.	24
-	-	-	153	1	844311-1	BLOCK, SHEAR	88	2	21045-6	RING, RETAINING "C"	23
-	-	-	152	-	-	-	87	1	2-23620-9	PIN, GROOVED .250 DIA	22
-	-	-	151	-	-	-	86	2	1-22170-8	PIN, COTTER	21
1	23238-1	QUICK DISCONNECT	150	-	-	-	85	1	22202-4	NUT, HEX 5/16-24	20
-	-	-	149	-	-	-	84	1	23241-6	BALL, STEEL	19
-	-	-	148	-	-	-	83	1	690603-1	SPRING, ASSIST	18
-	-	-	147	-	-	-	82	1	690170-1	SPRING, COMPRESSION	17
-	-	-	146	-	-	-	81	1	23030-1	SCR., SHC. 6-32 X .25 (LOC-WEL)	16
-	-	-	145	-	-	-	80	1	22480-5	WASHER, WAVE SPRING	15
-	-	-	144	-	-	-	79	1	690223-1	DISC, SPACER	14
-	-	-	143	1	21009-2	SCR., SKT. SET 1/4-20 X .25 (LOC-WEL)	78	1	690212-1	POST, RAM	13
-	-	-	142	1	690191-1	PLUG, NYLON	77	1	6-690141-8	DISC, WIRE CRIMP	12
-	-	-	141	1	461690-1	SPACER, MOUNT	76	1	690125-1	SHIM	11
-	-	-	140	1	459614-1	FINGER, FEED	75	1	690124-1	WASHER, RAM	10
-	-	-	139	-	-	-	74	1	468528-1	CYLINDER, AIR	9
-	-	-	138	-	-	-	73	1	388639-2	ROD, GUIDE	8
-	-	-	137	1	21024-5	WASHER, LOCK #10	72	1	461686-2	CLEVIS, FEED	7
-	-	-	136	1	3-21000-4	SCR, SHC 10-32 x .38	71	1	461064-1	BRACKET, FEED ADJUSTMENT	6
-	-	-	135	1	2-21002-7	SCR, BHC 10-32 x .50	70	1	376170	POSITIONER, PISTON	5
-	-	-	134	1	455689-1	BLOCK, STRIP GUIDE ADJ	69	1	376169	SCREW, FEED ADJUSTING	4
-	-	-	133	-	-	-	68	1	376166	BLOCK, FEED ADJUSTMENT	3
-	-	-	132	-	-	-	67	1	376165	WASHER, CLAMP	2
-	-	-	131	2	1-21000-8	SCR., SHC. 6-32 x .50	66	1	374112	SPRING, FEED FINGER	1
-	-	-	130	6	2-21000-0	SCR., SHC. 6-32 X .50	65	QTY	PART NO	DESCRIPTION	ITEM NO
-	-	-	129	2	819391-1	GUIDE, FEED PAWL	64	-	-	-	-
-	-	-	128	2	819393-1	GUIDE, STRIP	63	-	-	-	-
-	-	-	127	3	2-21000-5	SHC., SHC. 8-32 X .25	62	-	-	-	-
-	-	-	126	-	-	-	61	-	-	-	-
REF	455755-1	GUARD ASSY	125	-	-	-	60	-	-	-	-

QTY	PART NO	DESCRIPTION	ITEM NO	QTY	PART NO	DESCRIPTION	ITEM NO				
REMARKS											
APPL USED ON MACHINE PART NO - MACH SERIAL NO - DISTRIBUTION											
CUSTOMER NAME - APPL SERIAL NO - ORIGINAL											
ADDRESS - PURCHASE ORDER - CUSTOMER COPY											
CITY - ENG APP - FIELD ENG COPY											
NO TO APPLY TERMINAL 114-2126											
CRIMPING DATA											
PAD LTR				CRIMP HEIGHT		WIRE SIZE		WIRE STRIP LENGTH		APPLICATOR WILL APPLY	
A				.071		14				63317	
B				.063		16				63315	
C				.057		18					
D				NOT		USED					
CRIMP		SIZE		TYPE		FEED		APPL INST			
WIRE		.120		F		.755±.005		A1 8091			
INSUL											
WIRE RANGE		INSULATION RANGE		MACHINE NO							
18-14											
REMARKS											
AMPOMATOR AIR FEED											

- NOTES:
- 1 RECOMMENDED SPARE PARTS.
 - 2 NOT SHOWN ON ASSY
 - 3 QTY IN INCHES. TOL +/- .25 IN

THIS DRAWING IS UNPUBLISHED. RELEASED FOR PUBLICATION BY AMP INCORPORATED. ALL RIGHTS RESERVED. COPYRIGHT 19

LOC A
DIST 66

REMARKS	NO	REV
TO APPLY TERMINAL 114-2126		
APPL USED ON MACHINE PART NO	MACH SERIAL NO	DISTRIBUTION
CUSTOMER NAME	APPL SERIAL NO	ORIGINAL
ADDRESS	PURCHASE ORDER	CUSTOMER COPY
CITY	ENG APP	FIELD ENG COPY

SHEET 1 OF 2

SET UP GAGE	10-1	L1319
DR 11-10-88	APP 2-1-94	J. SLUSSER
CHK 11-10-88	REL 11-10-88	C. ERISMAN
C. ERISMAN	DELTRICH	
NAME	MINIATURE QUICK CHANGE APPLICATOR (.187 AND .250 SERIES FLAG FASTON)	
CAGE CODE	00779	CUSTOMER AND ASSEMBLY DRAWING
LOC	A	D
NO	567288-1	REV C2

AMP INCORPORATED Harrisburg, Pa.

THIS DRAWING IS A CONTROLLED DOCUMENT.

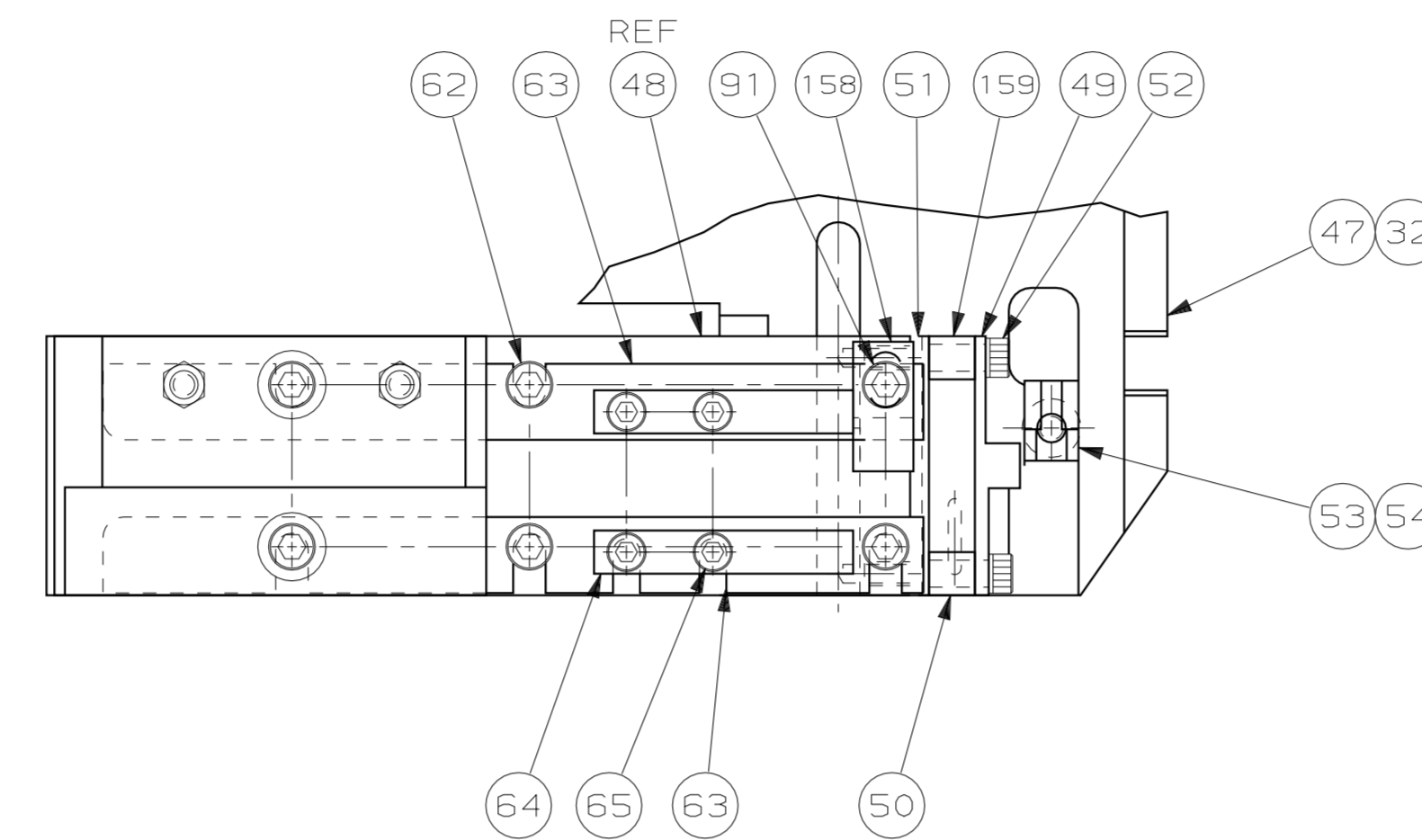
.19

RELEASED FOR PUBLICATION
BY AMP INCORPORATED. ALL RIGHTS RESERVED.

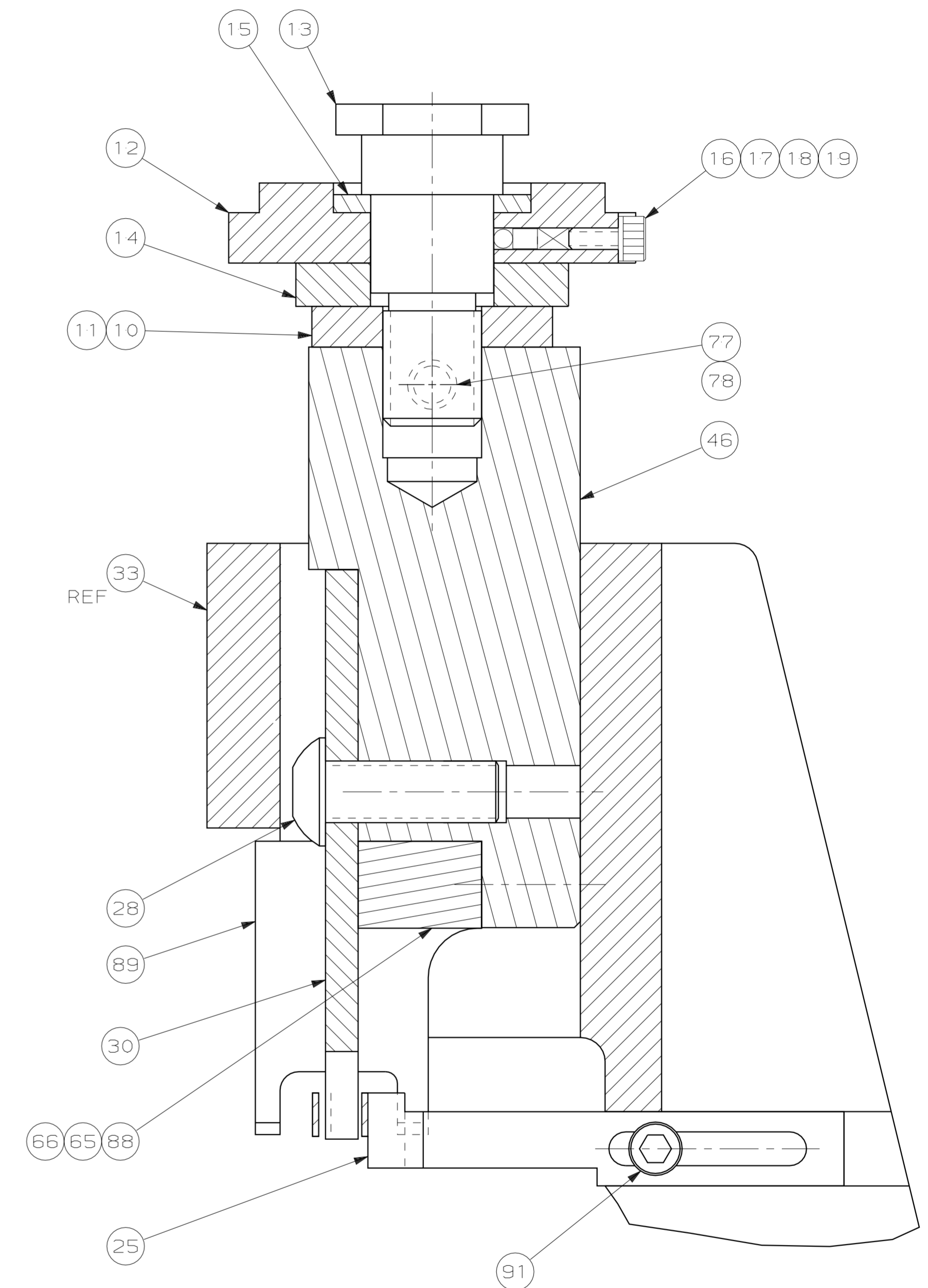
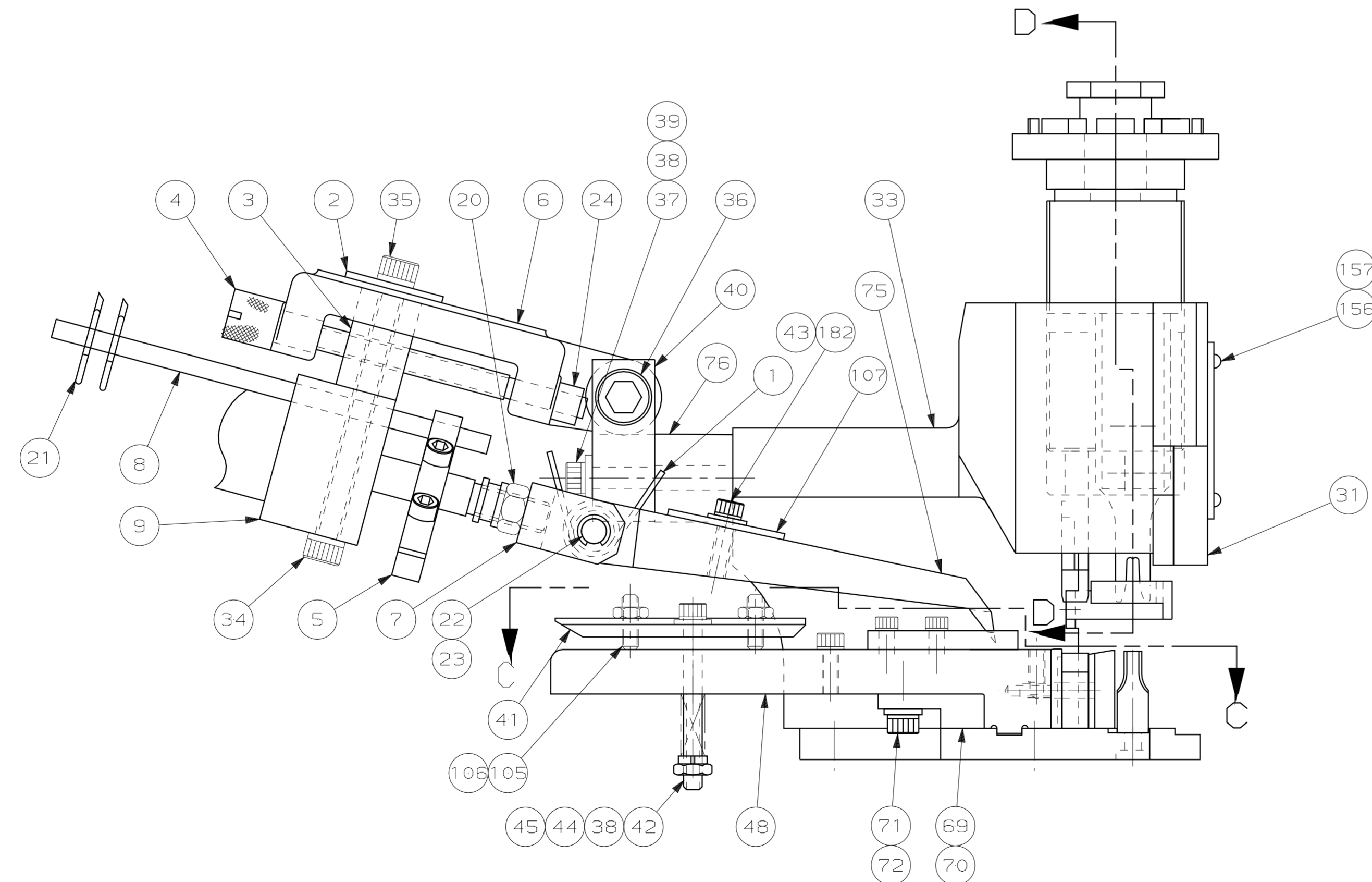
THIS DRAWING IS UNPUBLISHED.
COPYRIGHT 19

LOC
A
DIST
66

AMP 1756 REV 3-87 8 12-SEP-06 12:59:08 b8420 7



SECTION C-C



SECTION D-D

SCALE 2:1

SEE SHEET 1

DWG SIZE	PART NO	DESCRIPTION	ITEM NO
		REVISION OF EACH ASSY NO (WHEN BLANK, USE DWG REVISION)	
QTY REQD PER ASSY		PARTS LIST	
MATL	HT TR	FIN	
DIMENSIONS IN INCHES. TOLERANCES UNLESS OTHERWISE SPECIFIED:		AMP INCORPORATED	
2 PLC DEC ±	DR 11-10-88 APP 2-1-94	Harrisburg, Pa. 17105	
3 PLC DEC ±	J. HERRINGTON	AMP	
4 PLC DEC ±	CHK 11-15-88 REL 11-15-88	AMP INCORPORATED	
ANGLES ±	C. ERISMAN	Harrisburg, Pa. 17105	
NAME: MINIATURE QUICK CHANGE APPLICATOR			
SURF TEXTURE: ✓		SCALE: 1:1	DWG NO: 567288-1
REMOVE BURRS, BREAK SHARP EDGES .015 R MAX		SHEET 2 OF 2	REV C2
CAGE CODE 00779	CUSTOMER AND ASSEMBLY DRAWING		RESTRICTED TO