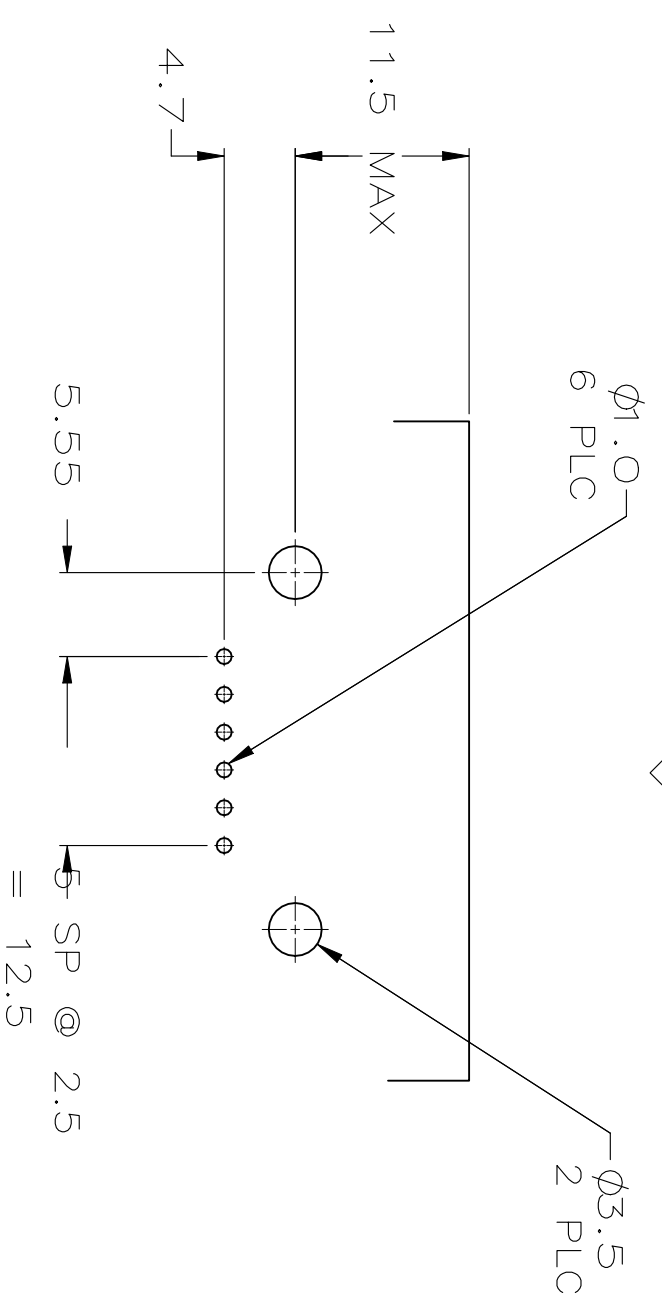
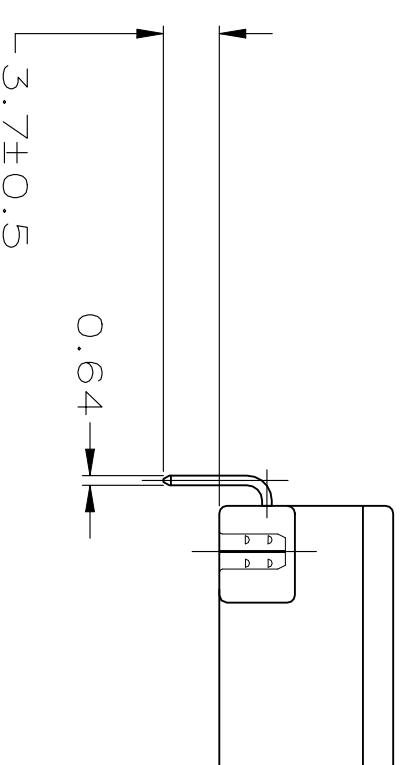
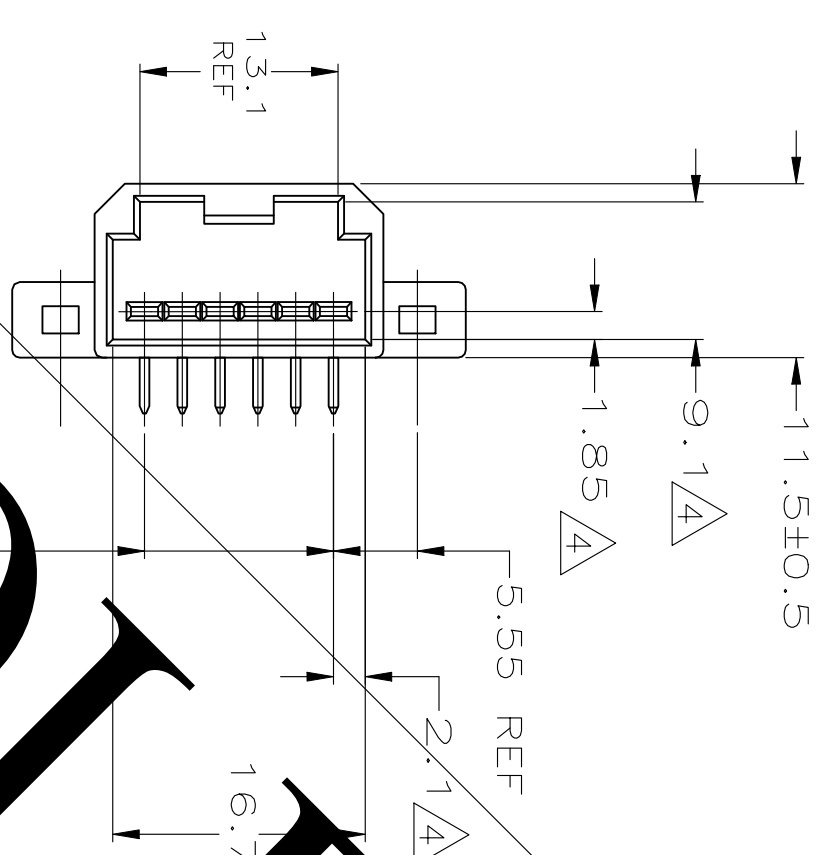
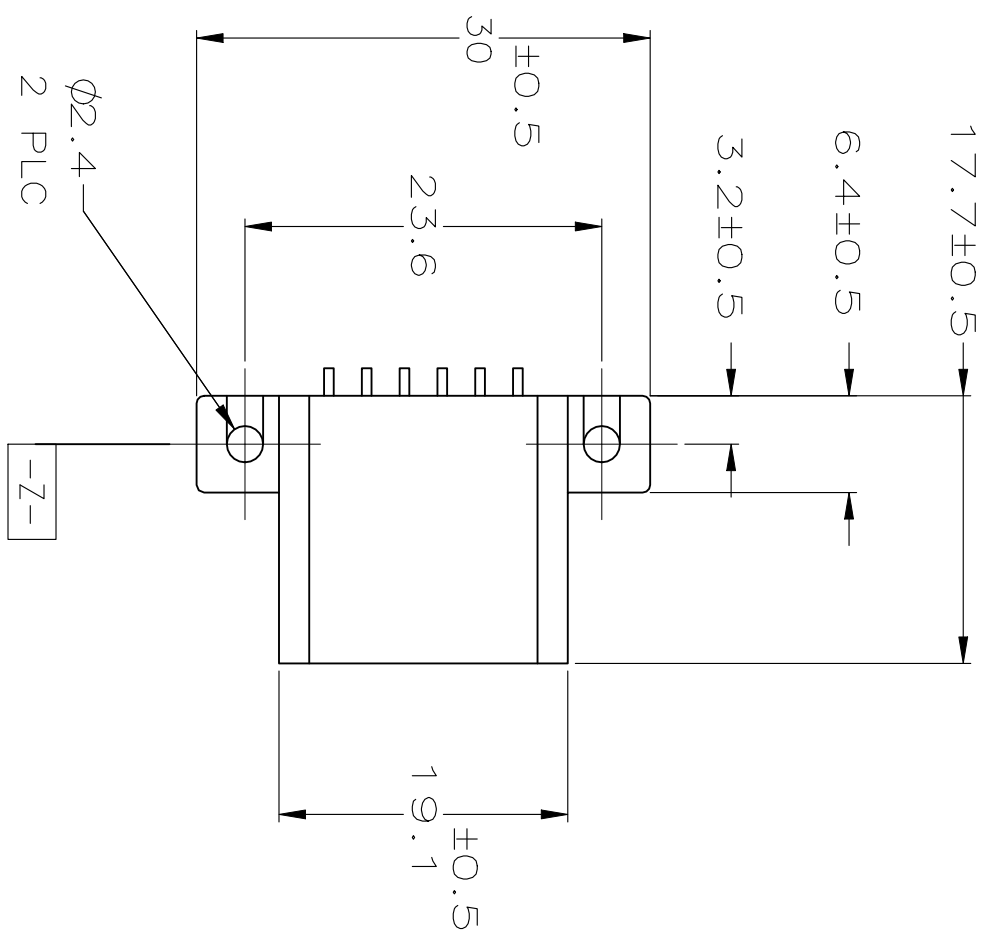


REVISIONS				
P	LTR	DESCRIPTION	DATE	DWN APVD
B2		REV PER ECN-22-189289	17AUG2022	SKM MN



# BRASS METAL

1. APPLICABLE P.C. BOARD THICKNESS: 1.6mm
  2. MATING PLUG HOUSING PART NO. 6381100
  3. APPLICABLE PRODUCT SPEC. NO. 108-5281
- TO BE MEASURED WITHIN 2mm FROM -Z-

MATERIAL	BRASS	POST PLATED	FINISH	PBT	NATURAL	638102-1
MATERIAL	PIN			MATERIAL	COLOR	PART NO
THIS DRAWING IS A CONTROLLED DOCUMENT.						
DIMENSIONS:	mm	TOLERANCES UNLESS OTHERWISE SPECIFIED:		DWN	8-4-97	
0 PLG	±	0.2		CHK	8-4-97	
1 PLG	±	0.2		D	STILLIE	
2 PLG	±	0.25		APVD	S.KROEGER	8-4-97
3 PLG	±	-		PRODUCT SPEC		
4 PLG	±	-		APPLICATION SPEC		
ANGLES	±	-		WEIGHT	0.000000	SIZE
FINISH	±	-		CUSTOMER DRAWING		QAE CODE
						DRAWING NO
						A2 00779
						638102
						SCALE
						2:1
						SHEET
						1 of 1
						REV
						B2



TE Connectivity

6 POSN CAP HOUSING ASSY, .040.SERIES  
MULTI-LOCK I/O CONN