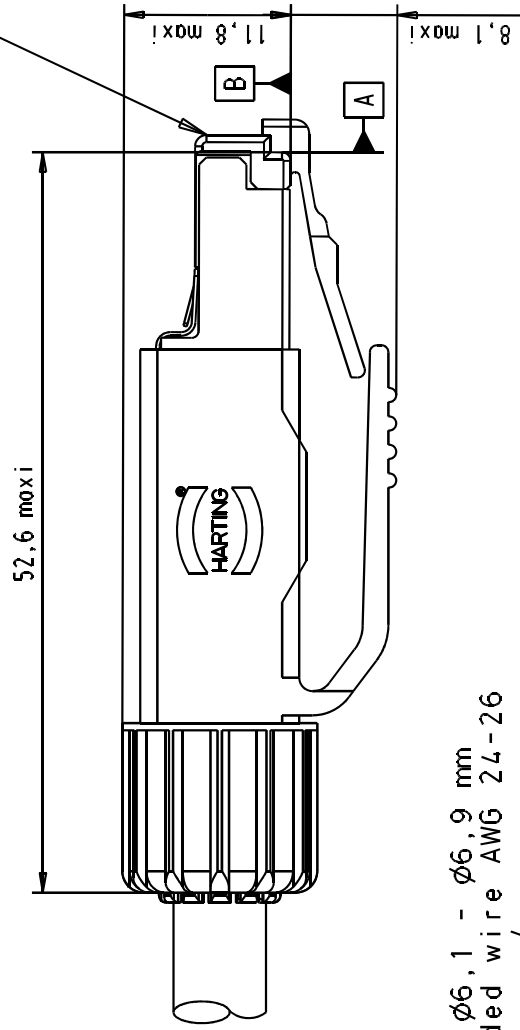


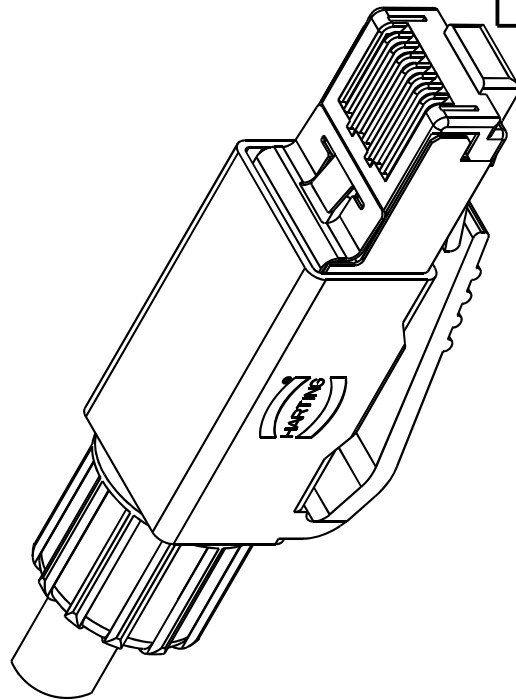
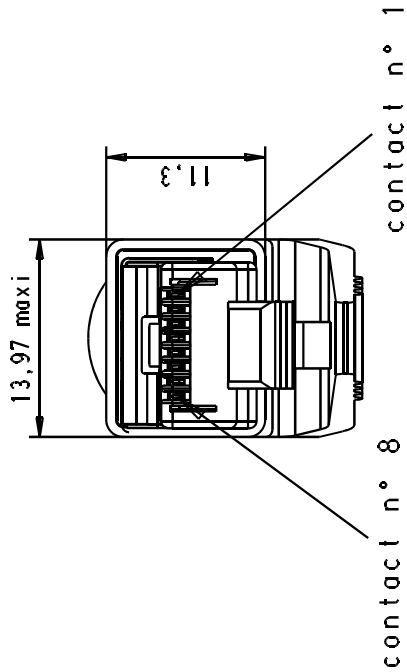
1 2 3 4 5

mating face according to IEC 60603-7



cable $\phi 6,1$ - $\phi 6,9$ mm
Stranded wire AWG 24-26

Nut M10 x 1 with cable clamping



Data contact plating: Au 1,27 um over nickel

HARTING		RJ-Industrial		HARTING		HARTING E.U.R.L		HARTING		RJ-Industrial		HARTING	
Del.		Del.		All Dim. in mm		HARTING E.U.R.L		HARTING		IP20 Data Plug		HARTING	
Date: 17/05/04		Date: 17/05/04		Orig. Size DIN A 4		F-95972 Paris		F-95972 Paris		Thermoplastic shielded		F-95972 Paris	
Insp.		Insp.				AF		AF		with 8 data contacts		AF	
Stand.		Stand.				None		None				None	
31904		31904				17/05/04		17/05/04		TB 09 45 151 15x0		TB 09 45 151 15x0	
Hed.		Hed.				Del.		Del.		Sph.		Sph.	
Magstab/Scale		Magstab/Scale		2:1		2:1		2:1		2:1		2:1	
Blatt/ Page		Blatt/ Page		1 / 1		1 / 1		1 / 1		1 / 1		1 / 1	

09 45 151 15 10	Data connector with Blue wires manager
09 45 151 15 00	Data connector with White wires manager