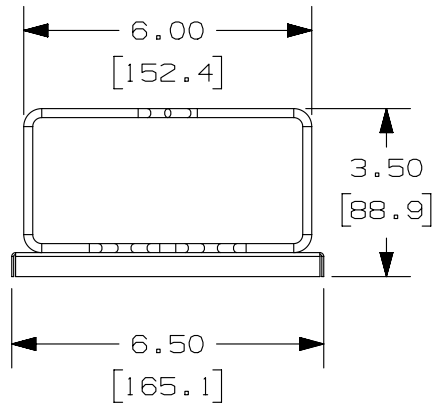
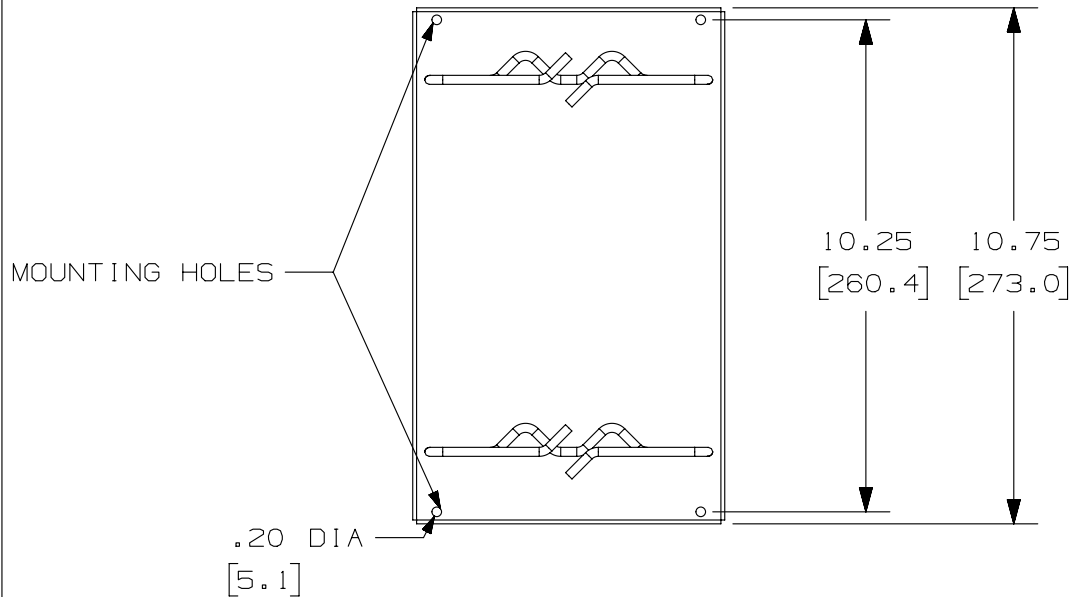


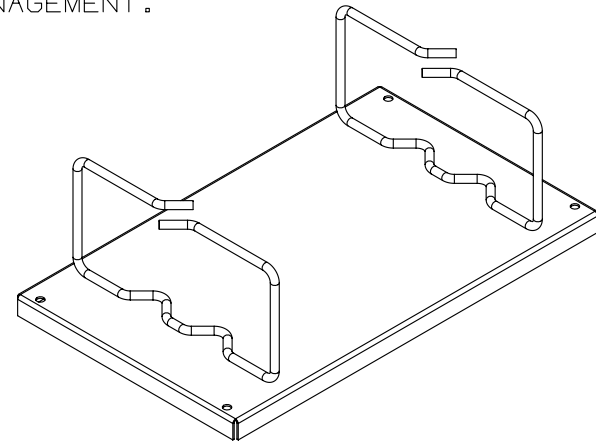
THIS COPY IS PROVIDED ON A RESTRICTED BASIS AND IS NOT TO BE USED IN ANY WAY DETRIMENTAL TO THE INTERESTS OF PANDUIT CORP.



PANDUIT P/N	WEIGHT
P110VCM	1.14 LB/EACH (518 g/EACH)

NOTES:

1. SEE CURRENT CATALOG FOR ADDITIONAL PART NUMBER SUFFIXES TO INDICATE COLOR AND OR PACKAGE QUANTITY.
2. SEE CATALOG FOR COMPLETE LIST OF PARTS APPLICABLE FOR USE WITH THIS PART.
3. DIMENSIONS IN PARENTHESES ARE IN METRIC.
4. MOUNTS TO PLYWOOD BACKBOARD AND ADJACENT TO BASES AND JUMPER TROUGHS.
5. THIS PART IS DESIGNED FOR VERTICAL CABLE MANAGEMENT.



PART NUMBER		P110VCM	
TITLE			
PAN-PUNCH VERTICAL CABLE MANAGER			
CUSTOMER DRAWING			
ITEM REVISION NAME		M00096AA/00	
DATASET FILE NAME		M00096AA_DC/00A	
UNLESS OTHERWISE SPECIFIED, DIMENSIONAL TOLERANCES ARE: IN [mm]		MATERIAL:	
.x ± .xx ± .03 [.8]		C.R.S.	
.xxx ± .010 [.3]		DRAWING NUMBER:	
ANGLES ±		00096 - 04	
THIRD ANGLE PROJECTION		SHT 1 OF 1	
DRAWN BY	DATE	CHK	SCALE
JBA	7-01-98	CEF	NONE
REV	DATE	BY	CHK
1	5/27/14	JSP	REFR
R	7-01-98	JBA	CEF

REV	DATE	BY	CHK	APR	DESCRIPTION	ECN
1	5/27/14	JSP	REFR	MMR	A. REVISED DRAWING TITLE BLOCK.	00096-04
R	7-01-98	JBA	CEF	CEF	RELEASED TO PRODUCTION	00096-04

D10100DA/14