

FEATURES

- Bi-directional
- Glass passivated junction
- High-surge capabilities
- Low capacitance
- Operation & storage temperature -55°C to 175°C

MECHANICAL CHARACTERISTICS

- Modified TO-220 Outline
- Terminals: Solderable to MIL-STD-202 Method 208
- Weight 1.4 grammes (approx)

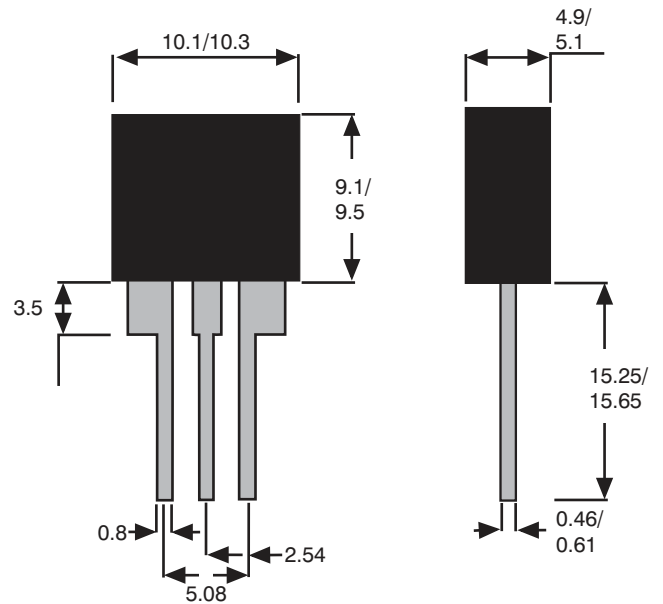
NOTES

(i) VBR IS MEASURED @ 1mA USING A PULSE OF 20mSEC OR LESS

(ii)

PEAK PULSE CURRENT (A)	TYPE AA	TYPE AB	TYPE AC
10 / 1000µS WAVE SHAPE	-	-	100.0
10 / 560µS WAVE SHAPE	50.0	100.0	-
10 / 160µS WAVE SHAPE	100.0	150.0	200.0

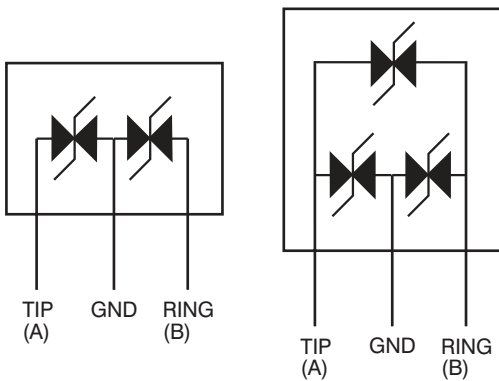
(iii) ALL TESTING PERFORMED @ 25°C



EQUIVALENT CIRCUIT

CR XXX 2 XX SERIES

CR XXX 3 XX SERIES



ELECTRICAL SPECIFICATION @ Tamb 25°C

Part Number	Reverse Stand-off Voltage (V _R)	Maximum Breakdown Voltage (V _{BO}) @ I _{BO}	Reverse Stand-off Voltage (V _R)	Maximum Breakdown Voltage (V _{BO}) @ I _{BO}	Maximum Reverse Leakage (I _R) @ V _R	Typical Voltage Turnoff (V _T) @ 1A	Maximum Breakdown Current (I _{BO})	Maximum Holding Current (I _H)	Typical Cap @ 1MHz 2V Bias
	pins 1-2 & 3-2		pins 1-3						
	V	V	V	V		μA			
CR0602AA	25.0	40.0	50.0	80.0	1.0	5.0	800.0	150.0	100.0
CR1402AA	58.0	77.0	116.0	154.0	1.0	5.0	800.0	150.0	60.0
CR1602AA	65.0	95.0	130.0	190.0	1.0	5.0	800.0	150.0	60.0
CR2202AA	90.0	130.0	180.0	260.0	1.0	5.0	800.0	150.0	60.0
CR2702AA	120.0	160.0	240.0	320.0	1.0	5.0	800.0	150.0	40.0
CR3002AA	140.0	180.0	280.0	360.0	1.0	5.0	800.0	150.0	40.0
CR3602AA	160.0	220.0	320.0	440.0	1.0	5.0	800.0	150.0	40.0
CR4202AA	190.0	250.0	380.0	500.0	1.0	5.0	800.0	150.0	30.0
CR4802AA	220.0	300.0	440.0	600.0	1.0	5.0	800.0	150.0	30.0
CR6002AA	275.0	350.0	550.0	700.0	1.0	5.0	800.0	150.0	30.0
CR0602AB	25.0	40.0	50.0	80.0	1.0	5.0	800.0	150.0	100.0
CR1402AB	58.0	77.0	116.0	154.0	1.0	5.0	800.0	150.0	60.0
CR1602AB	65.0	95.0	130.0	190.0	1.0	5.0	800.0	150.0	60.0
CR2202AB	90.0	130.0	180.0	260.0	1.0	5.0	800.0	150.0	60.0
CR2702AB	120.0	160.0	240.0	320.0	1.0	5.0	800.0	150.0	40.0
CR3002AB	140.0	180.0	280.0	360.0	1.0	5.0	800.0	150.0	40.0
CR3602AB	160.0	220.0	320.0	440.0	1.0	5.0	800.0	150.0	40.0
CR4202AB	190.0	250.0	380.0	500.0	1.0	5.0	800.0	150.0	30.0
CR4802AB	220.0	300.0	440.0	600.0	1.0	5.0	800.0	150.0	30.0
CR6002AB	275.0	350.0	550.0	700.0	1.0	5.0	800.0	150.0	30.0
CR0602AC	25.0	40.0	50.0	80.0	1.0	10.0	800.0	150.0	200.0
CR1402AC	58.0	77.0	116.0	154.0	1.0	10.0	800.0	150.0	120.0
CR1602AC	65.0	95.0	130.0	190.0	1.0	10.0	800.0	150.0	120.0
CR2202AC	90.0	130.0	180.0	260.0	1.0	10.0	800.0	150.0	120.0
CR2702AC	120.0	160.0	240.0	320.0	1.0	10.0	800.0	150.0	80.0
CR3002AC	140.0	180.0	280.0	360.0	1.0	10.0	800.0	150.0	80.0
CR3602AC	160.0	220.0	320.0	440.0	1.0	10.0	800.0	150.0	80.0
CR4202AC	190.0	250.0	380.0	500.0	1.0	10.0	800.0	150.0	60.0
CR4802AC	220.0	300.0	440.0	600.0	1.0	10.0	800.0	150.0	60.0
CR6002AC	275.0	350.0	550.0	700.0	1.0	10.0	800.0	150.0	60.0
CR1553AA	130.0	180.0	130.0	180.0	5.0	10.0	800.0	150.0	40.0
CR1803AA	150.0	210.0	150.0	210.0	5.0	10.0	800.0	150.0	40.0
CR2103AA	170.0	250.0	170.0	250.0	5.0	10.0	800.0	150.0	40.0
CR2353AA	200.0	270.0	200.0	270.0	5.0	10.0	800.0	150.0	40.0
CR2703AA	230.0	300.0	230.0	300.0	5.0	10.0	800.0	150.0	30.0
CR3203AA	270.0	350.0	270.0	350.0	5.0	10.0	800.0	150.0	30.0
CR3403AA	300.0	400.0	300.0	400.0	5.0	10.0	800.0	150.0	30.0
CR1553AB	130.0	180.0	130.0	180.0	5.0	10.0	800.0	150.0	40.0
CR1803AB	150.0	210.0	150.0	210.0	5.0	10.0	800.0	150.0	40.0
CR2103AB	170.0	250.0	170.0	250.0	5.0	10.0	800.0	150.0	40.0
CR2353AB	200.0	270.0	200.0	270.0	5.0	10.0	800.0	150.0	40.0
CR2703AB	230.0	300.0	230.0	300.0	5.0	10.0	800.0	150.0	30.0
CR3203AB	270.0	350.0	270.0	350.0	5.0	10.0	800.0	150.0	30.0
CR3403AB	300.0	400.0	300.0	400.0	5.0	10.0	800.0	150.0	30.0
CR1553AC	130.0	180.0	130.0	180.0	5.0	10.0	800.0	150.0	80.0
CR1803AC	150.0	210.0	150.0	210.0	5.0	10.0	800.0	150.0	80.0
CR2103AC	170.0	250.0	170.0	250.0	5.0	10.0	800.0	150.0	80.0
CR2353AC	200.0	270.0	200.0	270.0	5.0	10.0	800.0	150.0	80.0
CR2703AC	230.0	300.0	230.0	300.0	5.0	10.0	800.0	150.0	60.0
CR3203AC	270.0	350.0	270.0	350.0	5.0	10.0	800.0	150.0	60.0
CR3403AC	300.0	400.0	300.0	400.0	5.0	10.0	800.0	150.0	60.0

All parameters are tested using Fet Test™ Model 3600.