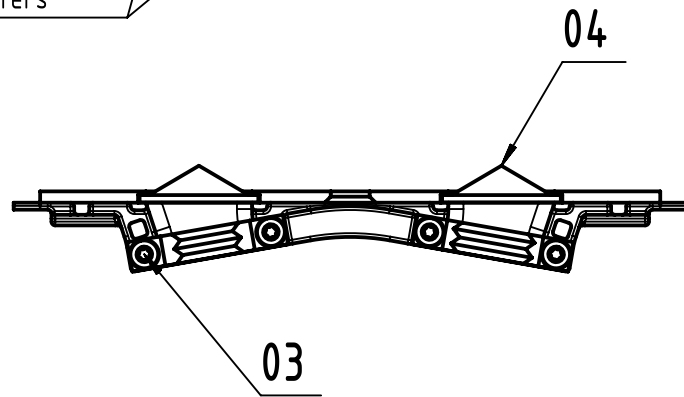


02
rotate for different
cable diameters



parts not assembled				
content of a round cable insert set:			spare parts:	
pos.	qty	description	part no.	qty
01	1	round cable insert D20		
02	2	cable clamp D20	09 06 000 9992	1
03	4	screw 2,2x8-TX6	09 06 001 9979	1
04	2	blinding piece		

All Dimensions in mm
Original Size DIN A4

Scale
1:1

Free size tol.

Ref.

Sub.



All rights reserved

Department EL PD

Created by
STORCK

Inspected by
LEHNERT

Standardisation
HOFFMANN

Date
2019-11-06

State
Final Release

order number for packaging unit	
09 06 000 9988	100 sets
09 06 000 9988 200	1 set

HARTING Electronics GmbH
D-32339 Espelkamp

Title
DIN Power round cable insert D20

Type
TB

Number
09060009988

Doc-Key / ECM-Nr.
100104475/UGD/002/C
500000160281

Rev. **C** Page
1/1