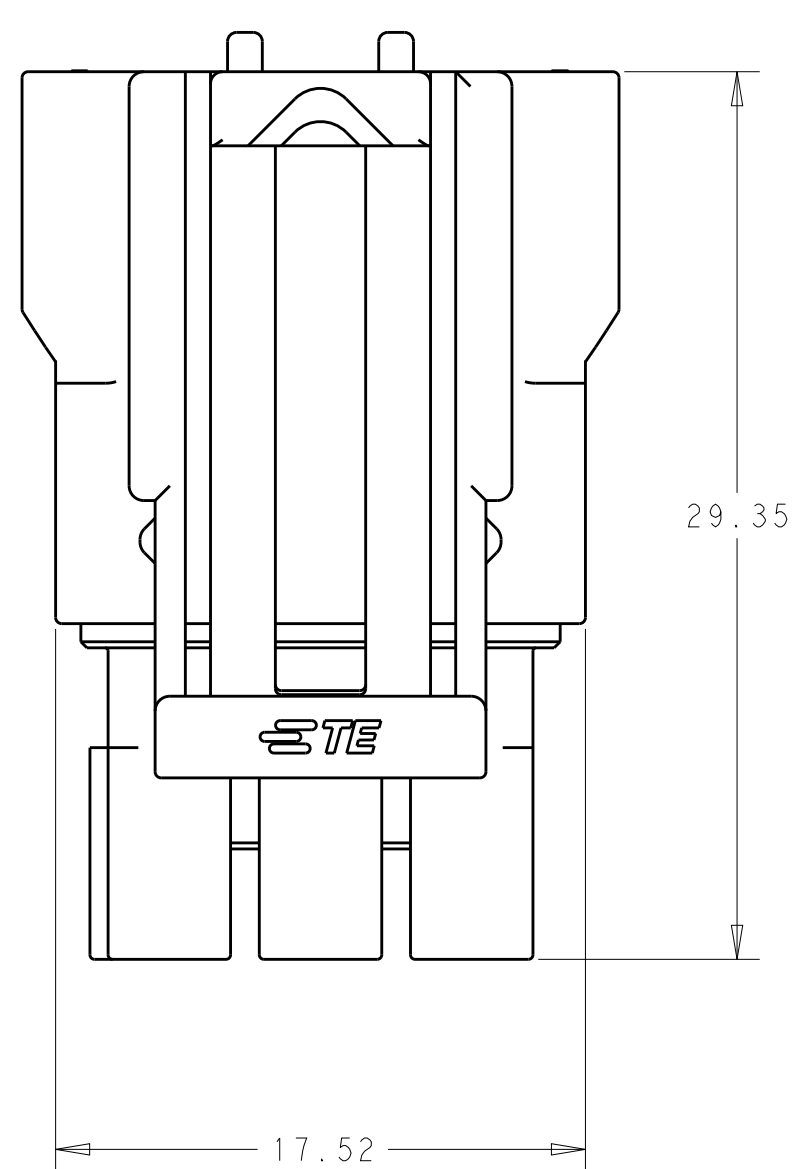
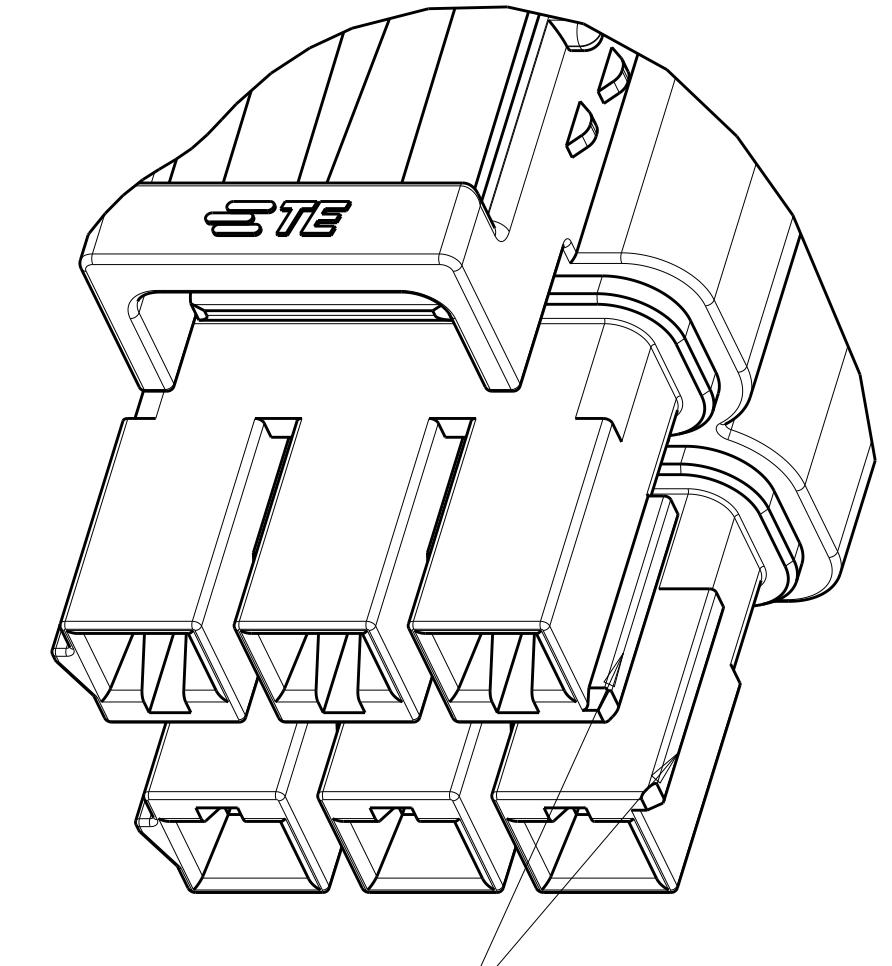
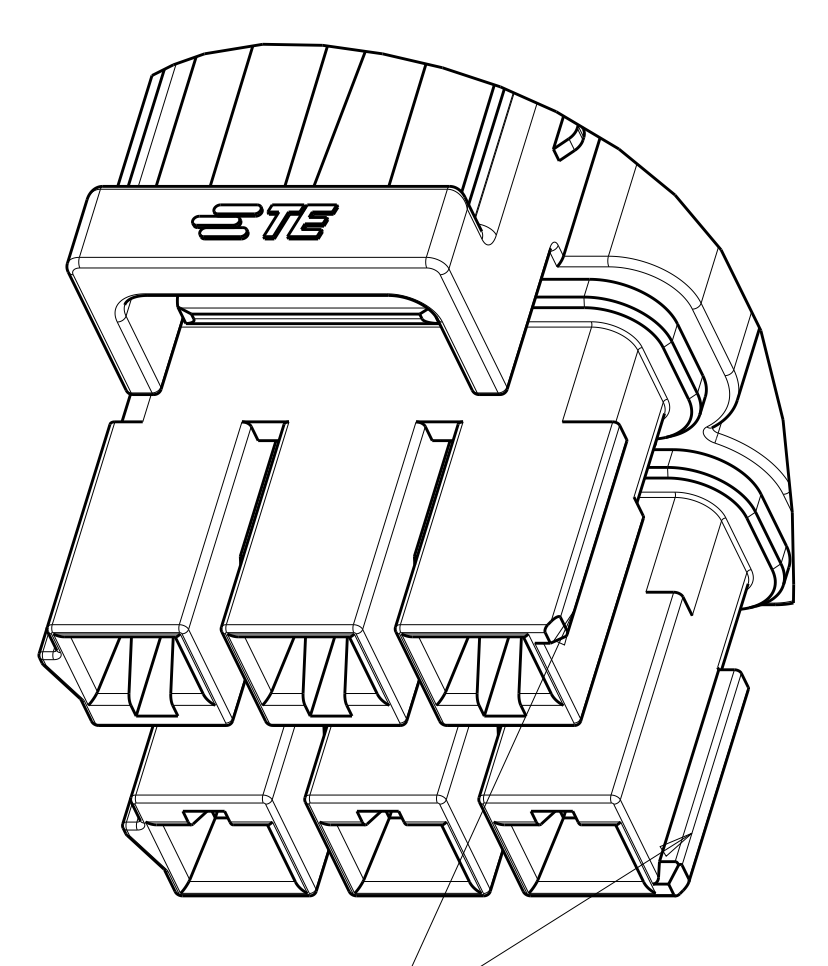
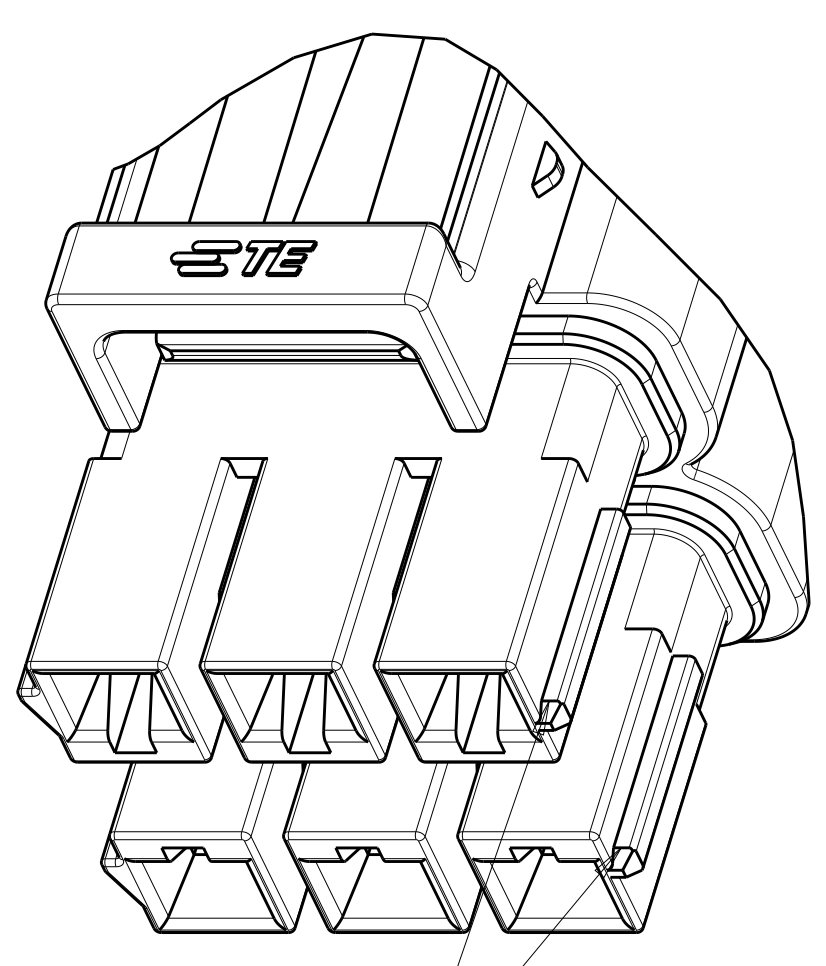
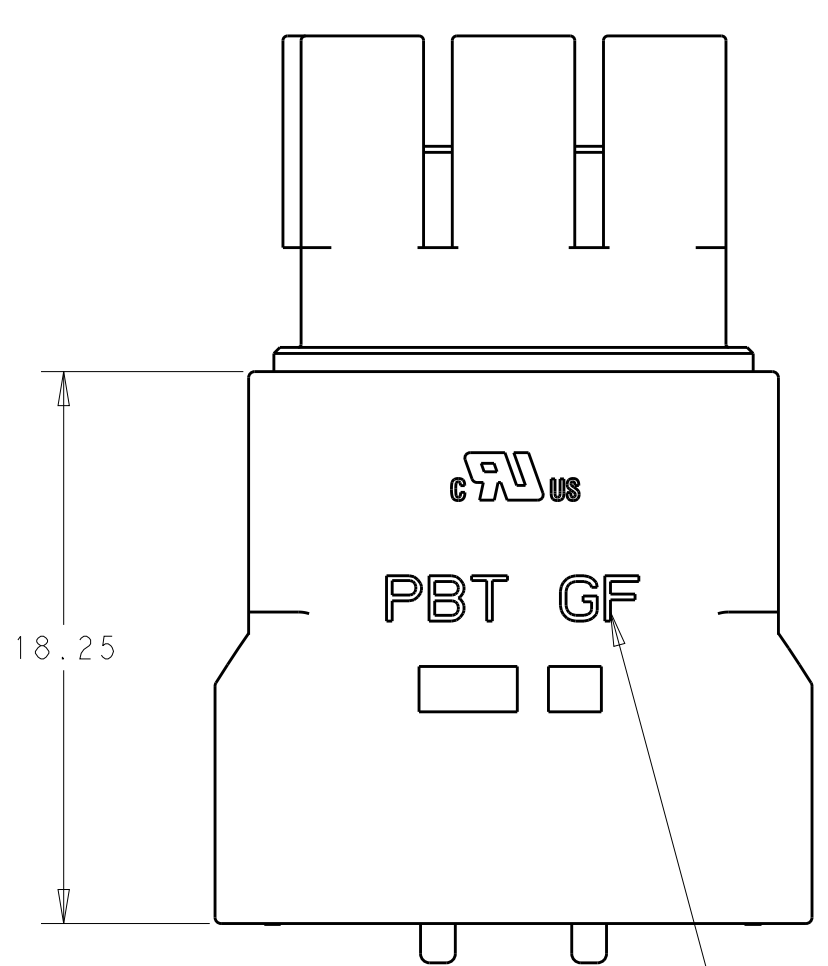
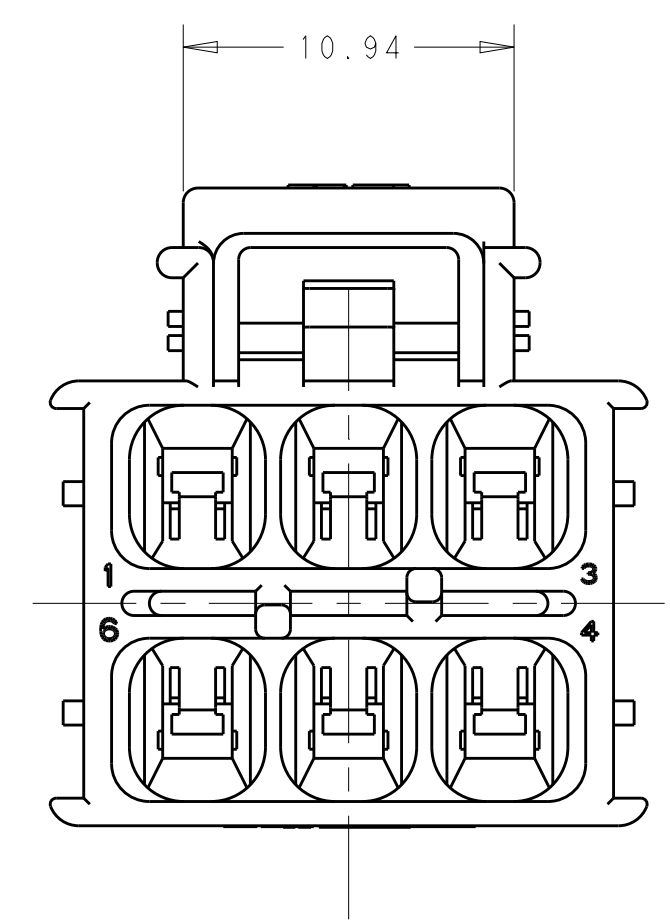
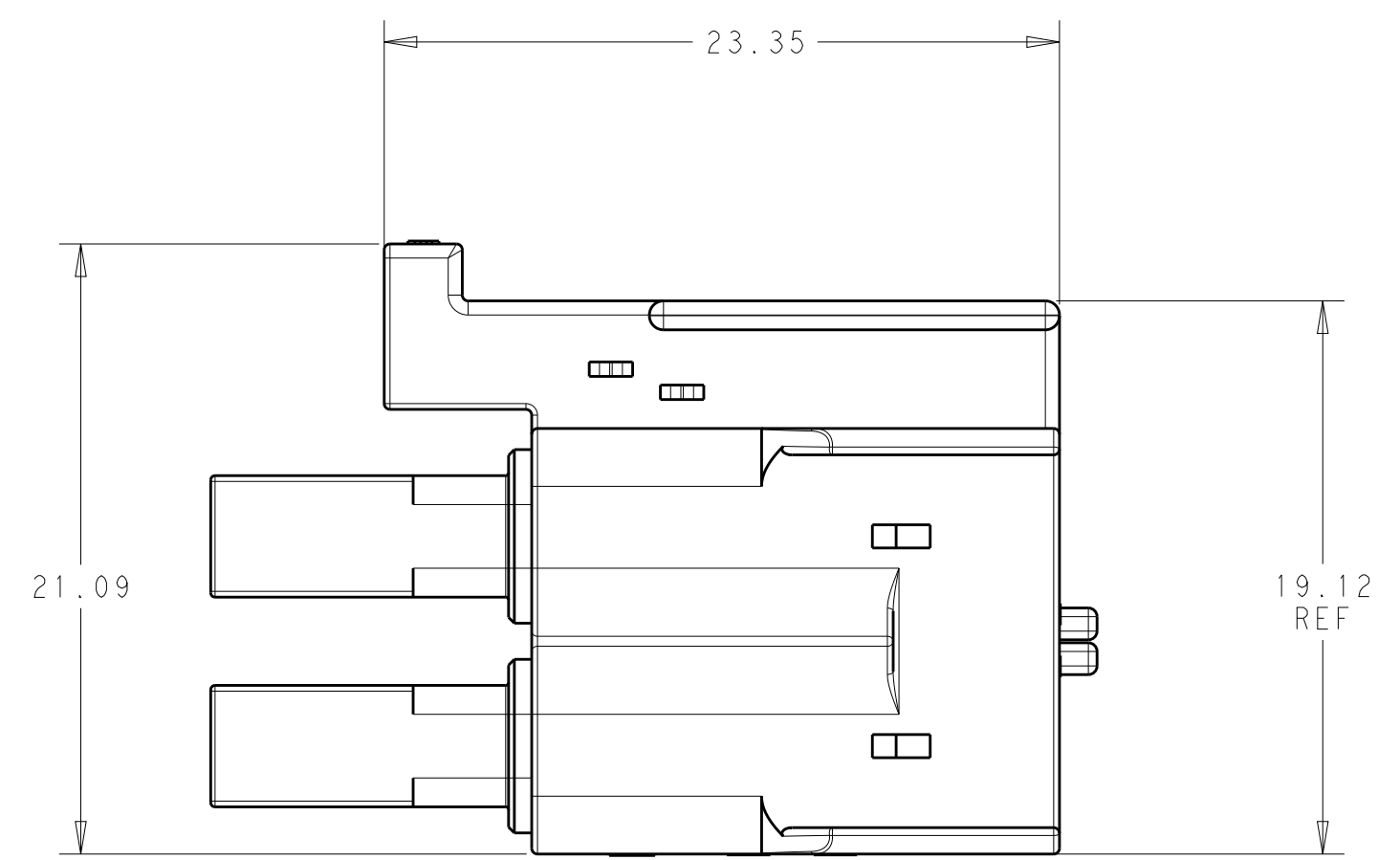
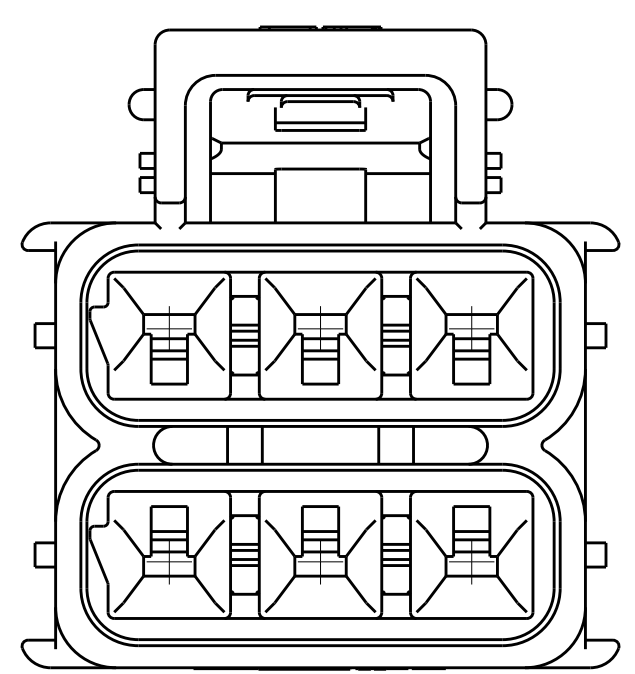


REVISIONS				
P.	LTM	DESCRIPTION	DATE	APVD
D		REVISED PER ECO-19-014853	01OCT2019	BKW G.J
D1		REVISED PER ECO-20-002758	21FEB2020	BKW DS
D2		REVISED PER ECR-20-100211	07AUG2020	JP VS
E		REVISED PER ECR-20-100662	08DEC2020	PC DS



- 1 MATERIAL: PBT, GLASS FILLED
- 2 MATERIAL MARK: PBT GF
- 3 APPLICABLE CONTACT P/N:  
2329913-\*/2329916-\*/2329912-\*/2329914-\*/2329915-\*/2329917-\*/  
2337138-\*/2337137-\*
- 4 MATING CONNECTOR P/N  
CAP HSG: \*2336231-\*/\*\*2337219-\*  
TPA: 2337218-6  
INTERFACE SEAL: 2325347-3 (2 PER PLUG)  
GANG SEAL: 2325349-3 (2 PER PLUG)
- 5 FLAMMABILITY RATING: UL94 V-0



COLOR	KEYING	POSITIONS	PART NUMBER
BROWN	KEY C	2*3	3-2336229-6
LIGHT GRAY	KEY B	2*3	2-2336229-6
NATURAL	KEY A	2*3	1-2336229-6

THIS DRAWING IS A CONTROLLED DOCUMENT.

DIMENSIONS:	TOLERANCES UNLESS OTHERWISE SPECIFIED:	DWN: B. WEAVER 19JUN2018	CHK: S. FERNANDES 19JUN2018	APVD: C. YI 19JUN2018
mm	0 PLC ± 1 PLC ±0.50 3 PLC ± 4 PLC ± ANGLES ±	PRODUCT SPEC	NAME	RESTRICTED TO
MATERIAL	FINISH	108-143081	PLUG HOUSING, POWER VERSA-LOCK	
1		114-143082	SIZE CAGE CODE DRAWING NO	
		WEIGHT	A100779C=2336229	
		CUSTOMER DRAWING	SCALE 4:1	SHEET 1 OF 1 REV E