

MATERIALS AND FINISHES

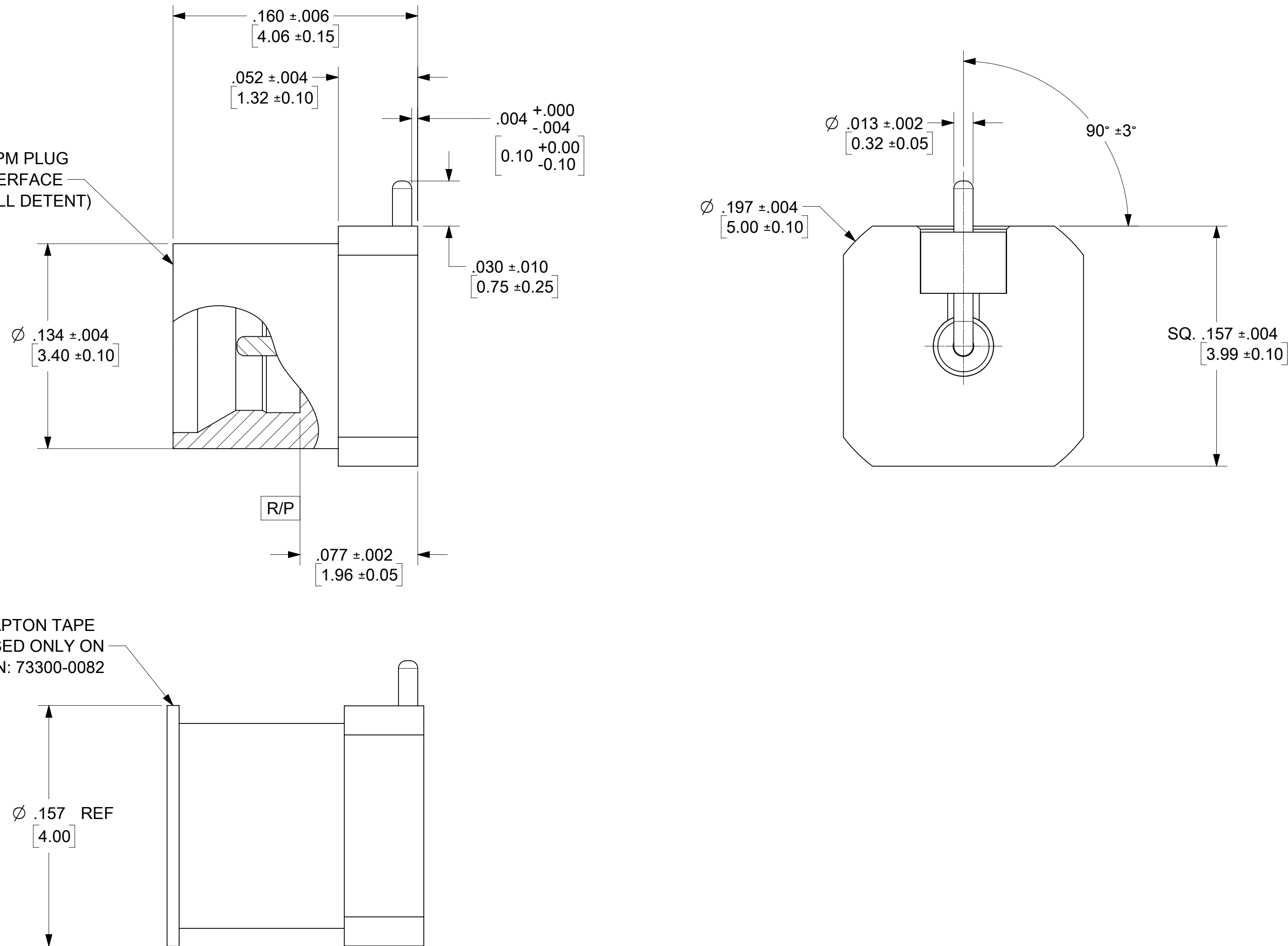
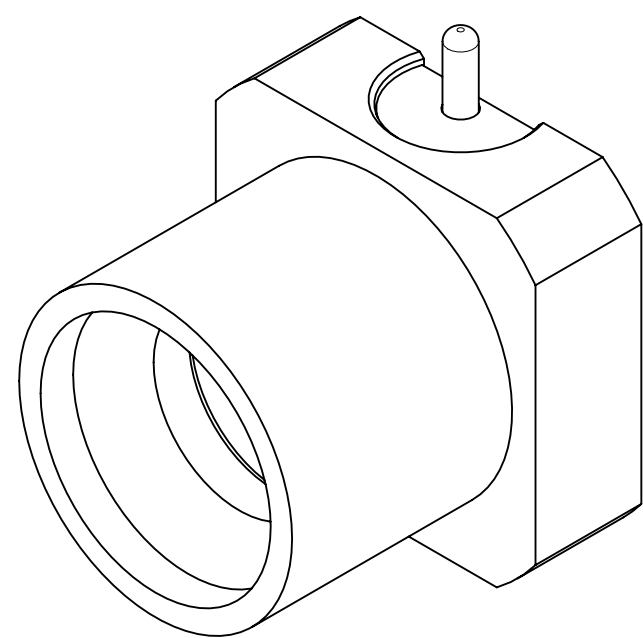
BODY: BRASS
 PLATED GOLD (5μ-in MIN) OVER
 NICKEL (80μ-in MIN)

CONTACT: BERYLLIUM COPPER
 PLATED GOLD (5μ-in MIN) OVER
 NICKEL (80μ-in MIN)

INSULATOR: ULTEM

SMPM PLUG
 INTERFACE
 (FULL DETENT)

KAPTON TAPE
 USED ONLY ON
 P/N: 73300-0082



LABEL WITH EACH BAG
 FOR 73300-0083

MOLEX P/N: 73300-0083
 DATE: YYWW

73300-0083	73300-0080 ONE PER BAG
73300-0082	73300-0080 T & R W/KAPTON TAPE (1200 PCS PER REEL)
73300-0081	73300-0080 TAPE AND REEL (1200 PCS PER REEL)
73300-0080	SMPM PLUG FD INTERFACE (TRAY 80 CAVITY)
PART NO.	PACKAGING

MIL-STD-348, FIG. 328-2	INTERFACE
SPECIFICATION	DESCRIPTION

DOCUMENT STATUS	P1	RELEASE DATE	2021/04/21	06:23:47
-----------------	----	--------------	------------	----------

THIS DRAWING CONTAINS INFORMATION THAT IS PROPRIETARY TO MOLEX ELECTRONIC TECHNOLOGIES, LLC AND SHOULD NOT BE USED WITHOUT WRITTEN PERMISSION

DIMENSION UNITS INCH/MM	SCALE NTS	CURRENT REV DESC: ADD LABEL FOR 73300-0083 PER EWR #14242-H		
GENERAL TOLERANCES (UNLESS SPECIFIED)		EC NO: 660983 DRWN: RYEH 2021/03/25 CHK'D: YCHENG 2021/04/21 APPR: YCHENG 2021/04/21 INITIAL REVISION: DRWN: JLEE 2010/10/29 APPR: JWIENER 2010/11/18		
4 PLACES ±	±			
3 PLACES ±	±			
2 PLACES ±	±			
1 PLACE ±	±	PRODUCT CUSTOMER DRAWING		
0 PLACES ±	±	DOCUMENT NUMBER		
ANGULAR TOL ± °		SD-73300-008		
DRAFT WHERE APPLICABLE MUST REMAIN WITHIN DIMENSIONS		THIRD ANGLE PROJECTION	DRAWING C-SIZE	SERIES 73300
		MATERIAL NUMBER 733000080	CUSTOMER	SHEET NUMBER 1 OF 7

molex

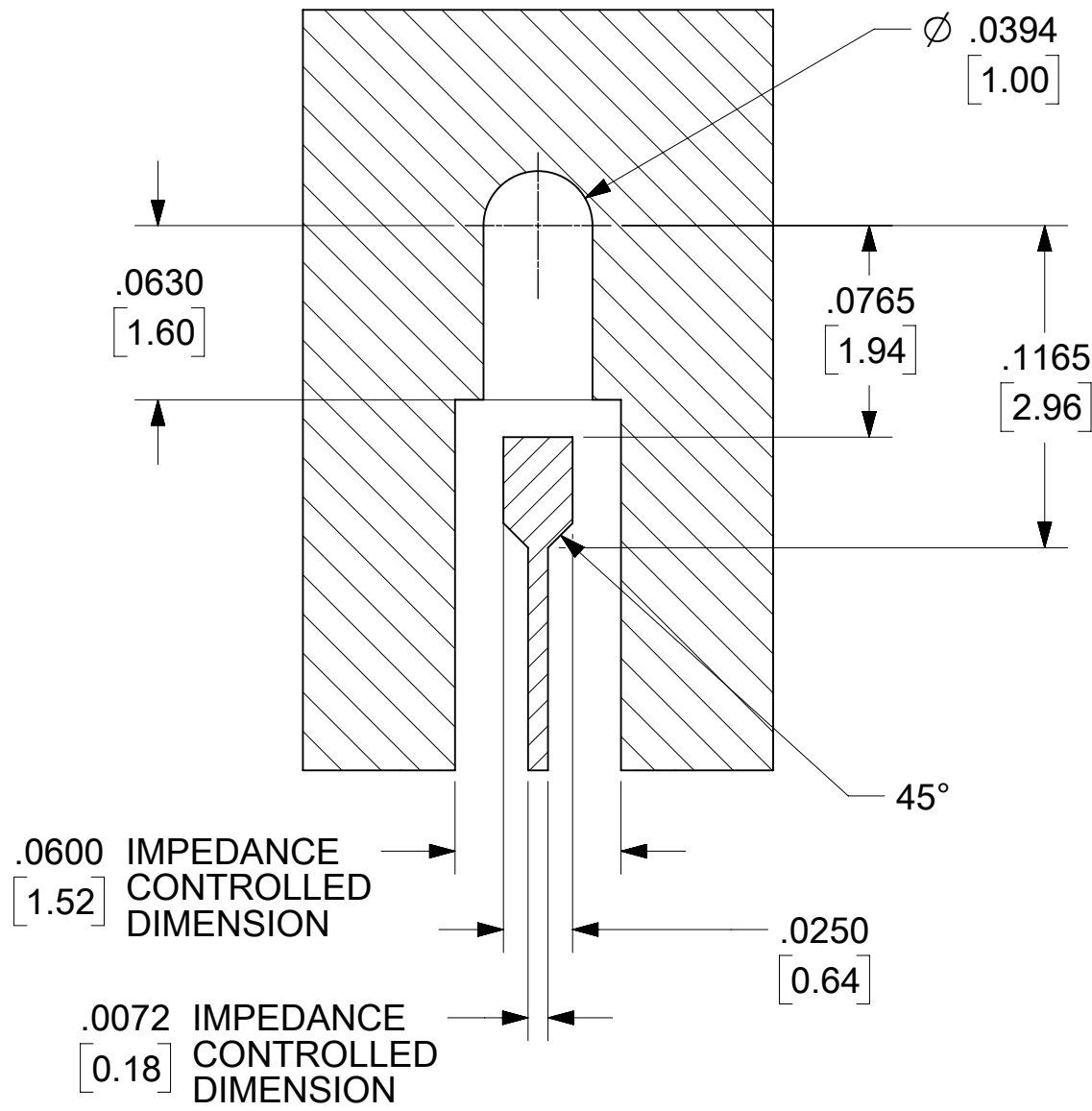
SMPM PLUG, PCB VERTICAL
 50 OHM FULL DETENT EWR-11427, SMPM-PCB

DOC TYPE: PSD | DOC PART: 001 | REVISION: B6

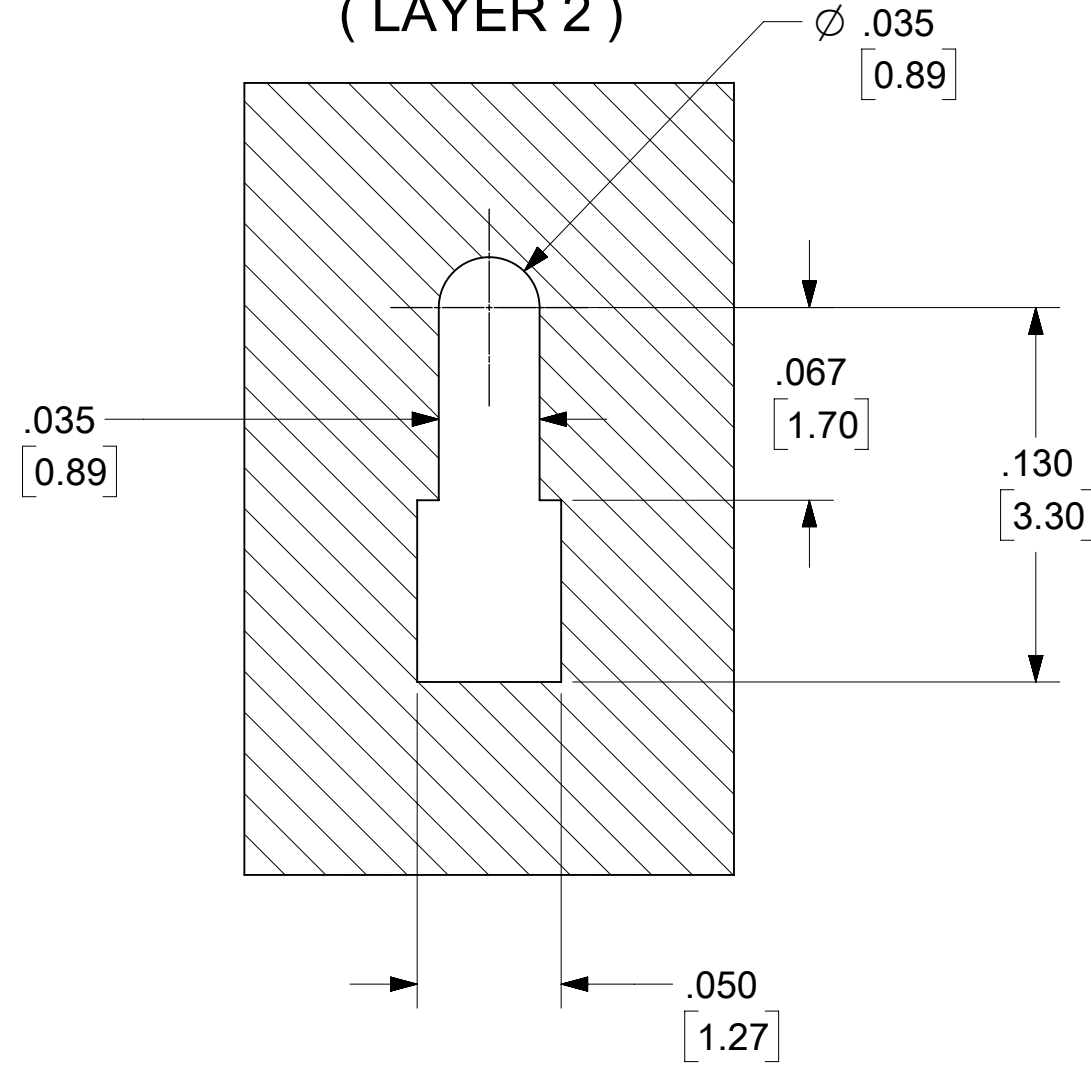
PCB CONNECTOR LAUNCH / PAD (FOR REFERENCE ONLY)

ALL HATCHED SURFACES SHOWN BELOW ARE COPPER (Cu)

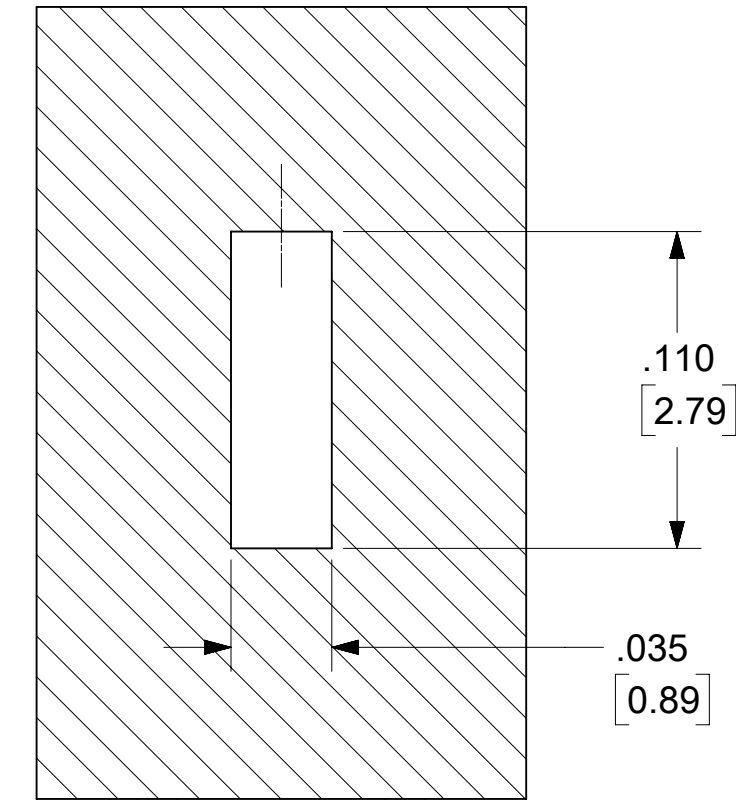
SIGNAL AND MOUNTING LAYER (LAYER 1)



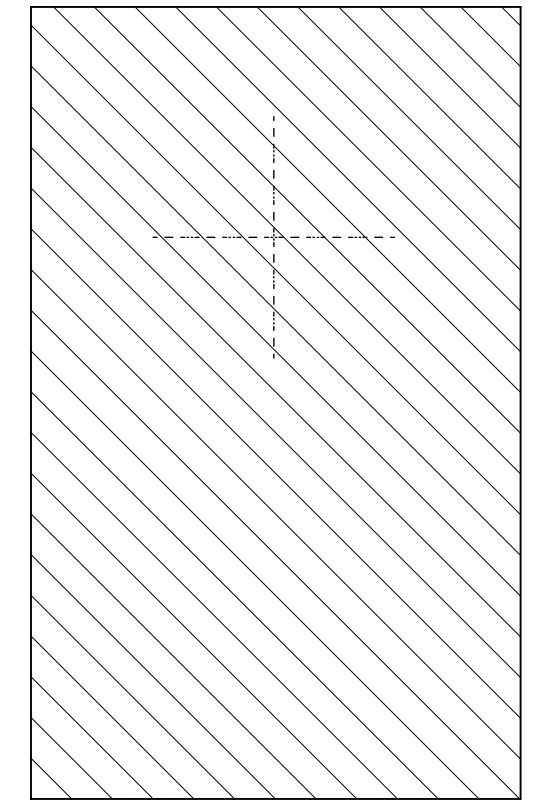
REFERENCE LAYER (LAYER 2)



(LAYER 3)



SUBSEQUENT LAYERS

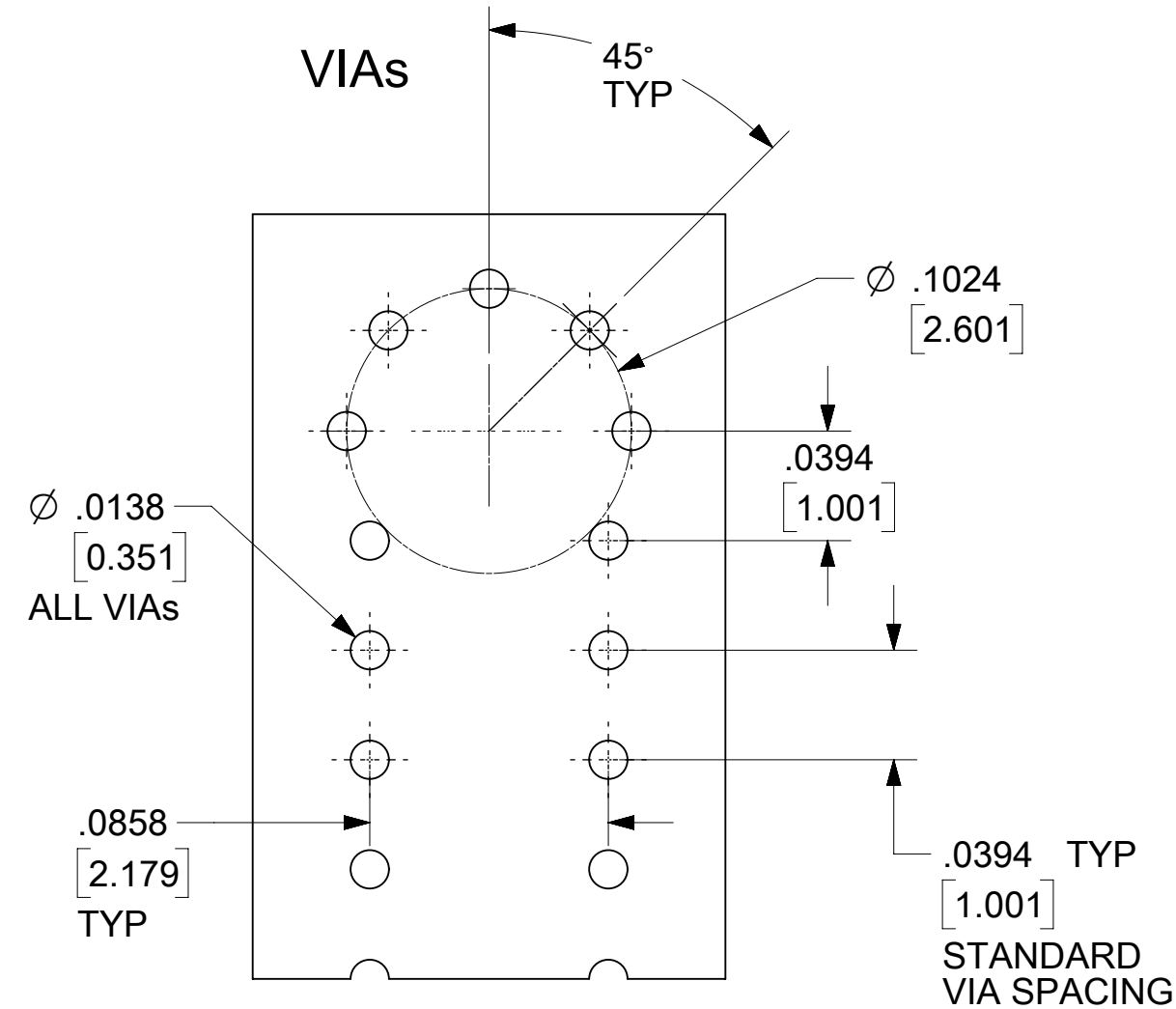


PCB STACK UP

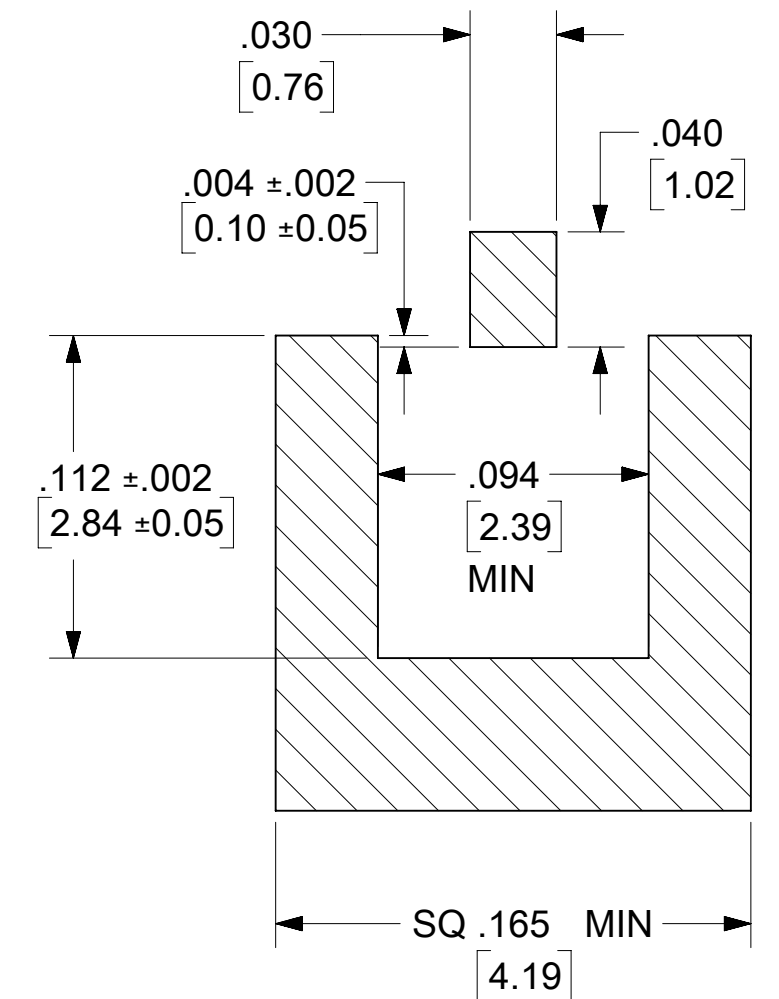
LAYER	MATERIAL	Dk	THICKNESS (mil)
1	1/2 oz. Cu + PLATING		2.1
	MEGTRON 6	3.7	4.0
2	1/2 oz. Cu		0.7
	MEGTRON 6	3.7	4.0
3	1/2 oz. Cu		0.7
	MEGTRON 6	3.7	4.0
4*	1/2 oz. Cu		0.7

* SUBSEQUENT LAYERS MAY BE ADDED AS REQUIRED FOR INDIVIDUAL APPLICATIONS

VIAS



SOLDER MASK



TYPICAL PERFORMANCE CHARACTERISTICS WITH CONNECTOR AND PCB LAUNCH SHOWN

VSWR (FULLY MATED)	FREQUENCY BAND
1.35	DC TO 18 GHz

VARYING PCB STACKUPS AND PCB LAUNCH WILL RESULT IN VARYING RESULTS
CONTACT MOLEX RF / MICROWAVE FOR APPLICATION SPECIFIC ASSISTANCE

THIS DRAWING CONTAINS INFORMATION THAT IS PROPRIETARY TO MOLEX ELECTRONIC TECHNOLOGIES, LLC AND SHOULD NOT BE USED WITHOUT WRITTEN PERMISSION

DIMENSION UNITS	SCALE	CURRENT REV DESC: ADD LABEL FOR 73300-0083 PER EWR #14242-H
INCH/MM	NTS	
GENERAL TOLERANCES (UNLESS SPECIFIED)		
	MM	INCH
4 PLACES	±	±
3 PLACES	±	±
2 PLACES	±	±
1 PLACE	±	±
0 PLACES	±	±
ANGULAR TOL	±	°
THIRD ANGLE PROJECTION		
DRAWING SERIES		
C-SIZE	73300	
MATERIAL NUMBER CUSTOMER SHEET NUMBER		
733000080		2 OF 7

molex

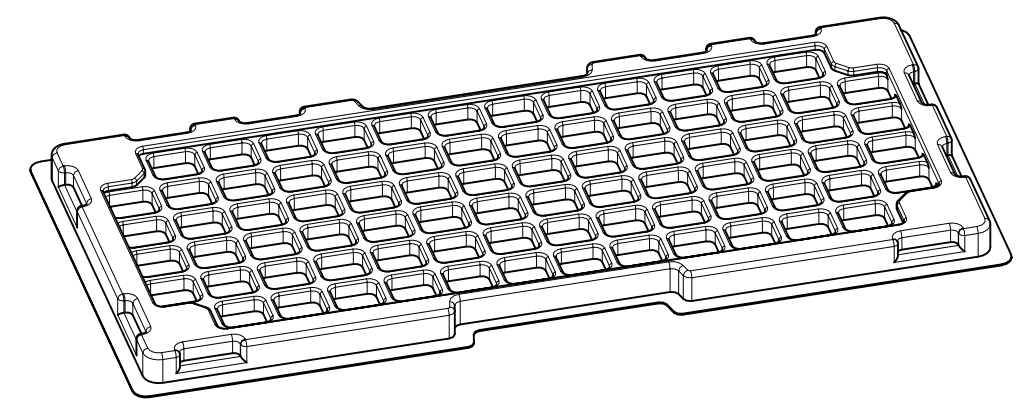
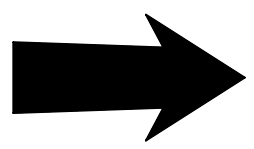
SMPM PLUG, PCB VERTICAL
50 OHM FULL DETENT EWR-11427, SMPM-PCB

PRODUCT CUSTOMER DRAWING

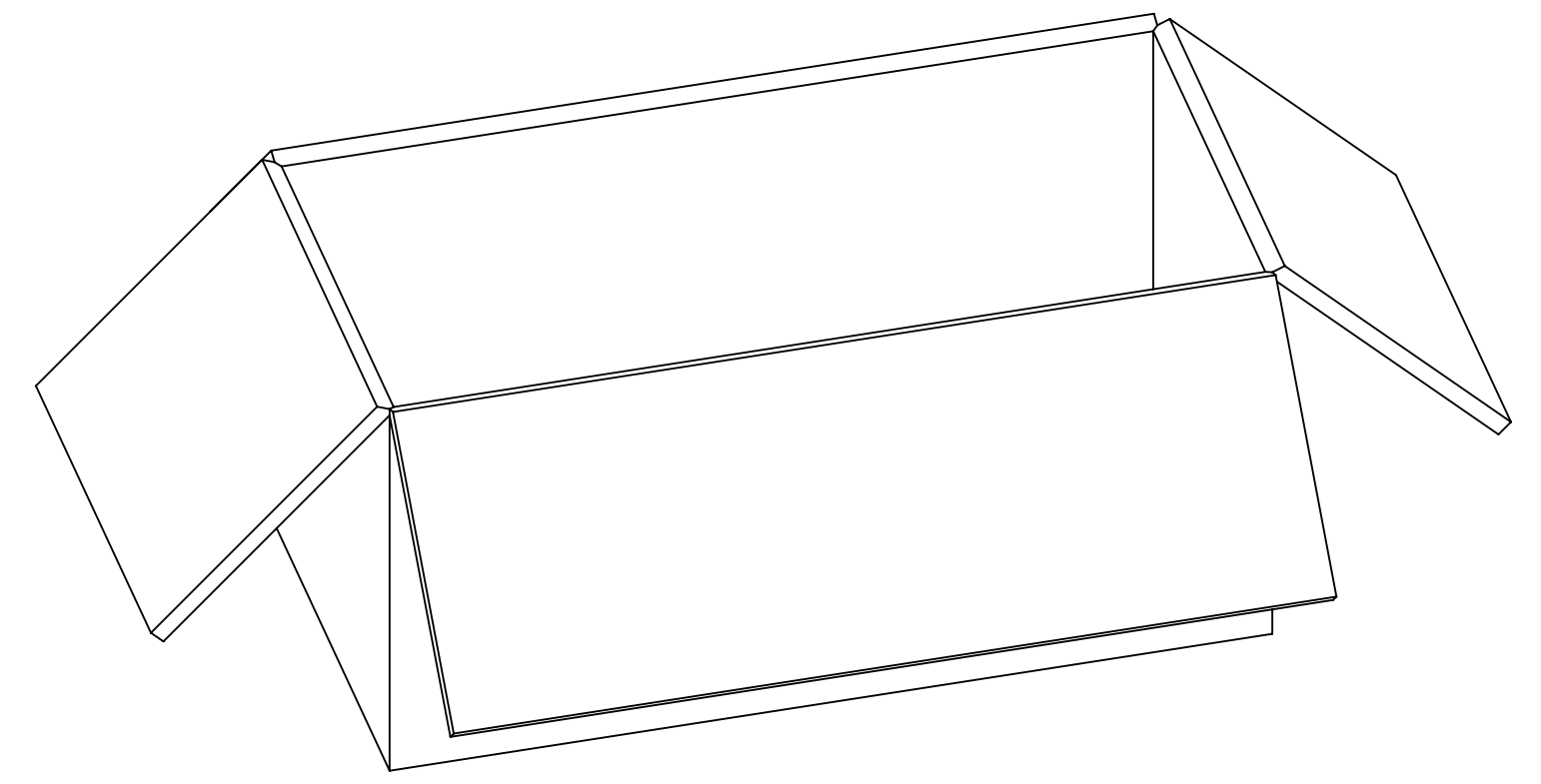
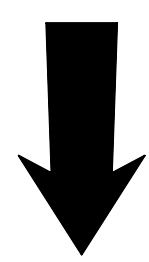
DOCUMENT NUMBER DOC TYPE DOC PART REVISION

SD-73300-008 PSD 001 B6

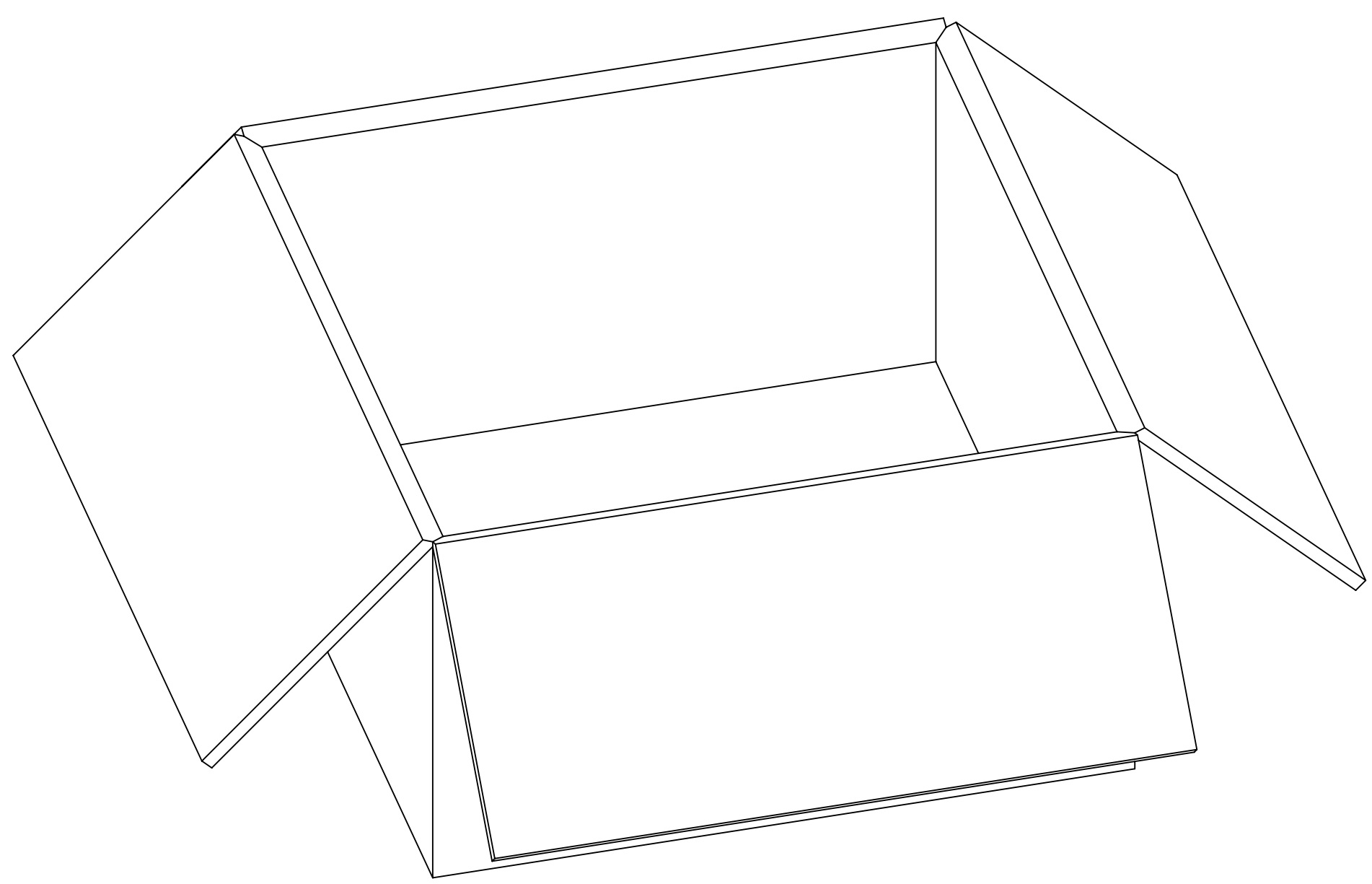
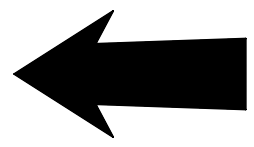

P/N: 73300-0080



80 SETS PER TRAY
P/N: 89707-0190



1600 SETS PER
INNER CARTON BOX
P/N: 96707-0001



3200 SETS PER
OUTER CARTON BOX
P/N: 96708-0005

THIS DRAWING CONTAINS INFORMATION THAT IS PROPRIETARY TO MOLEX ELECTRONIC TECHNOLOGIES, LLC AND SHOULD NOT BE USED WITHOUT WRITTEN PERMISSION										
DIMENSION UNITS INCH/MM		SCALE NTS		CURRENT REV DESC: ADD LABEL FOR 73300-0083 PER EWR #14242-H			molex			
GENERAL TOLERANCES (UNLESS SPECIFIED)				EC NO: 660983						
	MM	INCH		DRWN: RYEH 2021/03/25			SMPM PLUG, PCB VERTICAL 50 OHM FULL DETENT EWR-11427, SMPM-PCB			
4 PLACES	±	±		CHK'D: YCHENG 2021/04/21						
3 PLACES	±	±		APPR: YCHENG 2021/04/21			PRODUCT CUSTOMER DRAWING			
2 PLACES	±	±		INITIAL REVISION:						
1 PLACE	±	±		DRWN: JLEE 2010/10/29			DOCUMENT NUMBER			
0 PLACES	±	±		APPR: JWIENER 2010/11/18			SD-73300-008			
ANGULAR TOL	±	°		THIRD ANGLE PROJECTION			DOC TYPE			
DRAFT WHERE APPLICABLE MUST REMAIN WITHIN DIMENSIONS				DRAWING C-SIZE		SERIES 73300		CUSTOMER		REVISION B6
				SHEET NUMBER		733000080		3 OF 7		

∅ .059 REF
[1.50]
TYP

.157 REF
[4.00]
TYP

.472 REF
[12.00]
TYP

.079 REF
[2.00]
TYP

.069 REF
[1.75]
TYP

.295 REF
[7.50]
TYP


.630 REF
[16.00]

VIEWS FOR P/N: 73300-0081 & -0082

P/N: 73300-0080
SMPM PLUG ASSEMBLY

THIS DRAWING CONTAINS INFORMATION THAT IS PROPRIETARY TO MOLEX ELECTRONIC TECHNOLOGIES, LLC AND SHOULD NOT BE USED WITHOUT WRITTEN PERMISSION

DIMENSION UNITS INCH/MM	SCALE NTS	CURRENT REV DESC: ADD LABEL FOR 73300-0083 PER EWR #14242-H	
GENERAL TOLERANCES (UNLESS SPECIFIED)		EC NO: 660983	
	MM	INCH	DRWN: RYEH 2021/03/25
4 PLACES ±	±	±	CHK'D: YCHENG 2021/04/21
3 PLACES ±	±	±	APPR: YCHENG 2021/04/21
2 PLACES ±	±	±	INITIAL REVISION:
1 PLACE ±	±	±	DRWN: JLEE 2010/10/29
0 PLACES ±	±	±	APPR: JWIENER 2010/11/18
ANGULAR TOL ± °	±	°	THIRD ANGLE PROJECTION
DRAFT WHERE APPLICABLE MUST REMAIN WITHIN DIMENSIONS		DRAWING C-SIZE	SERIES 73300



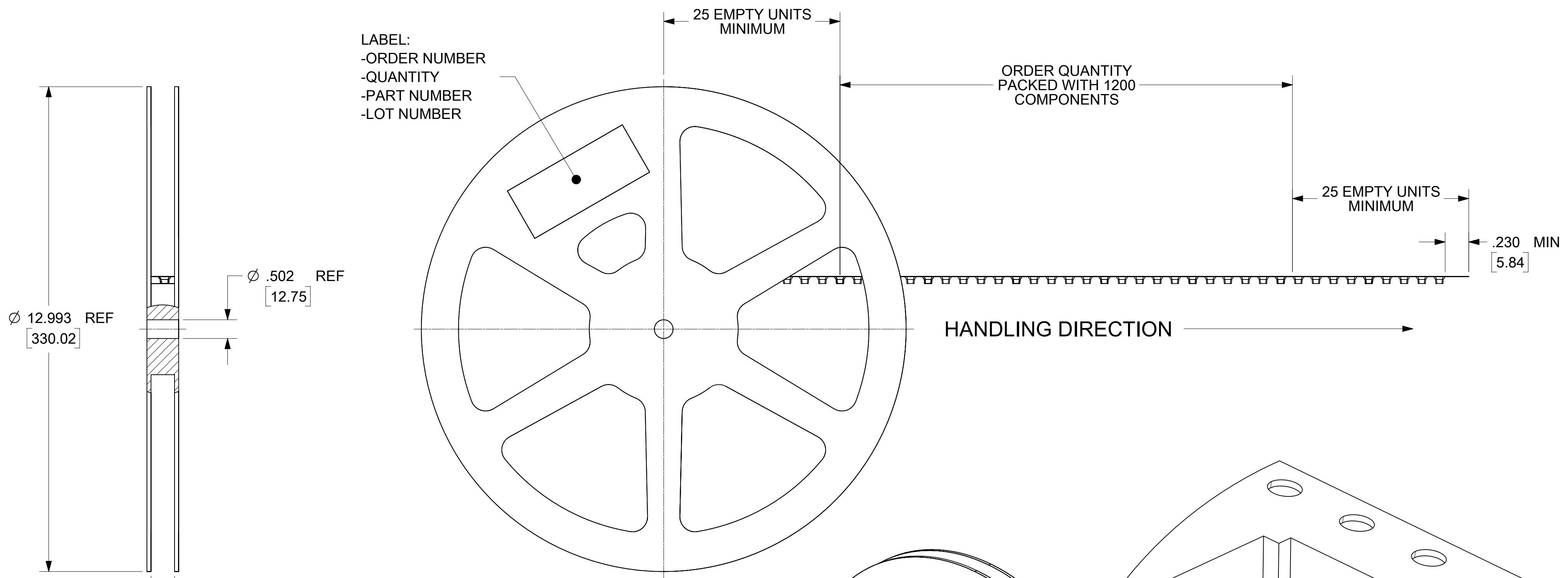
SMPM PLUG, PCB VERTICAL
50 OHM FULL DETENT EWR-11427, SMPM-PCB

PRODUCT CUSTOMER DRAWING

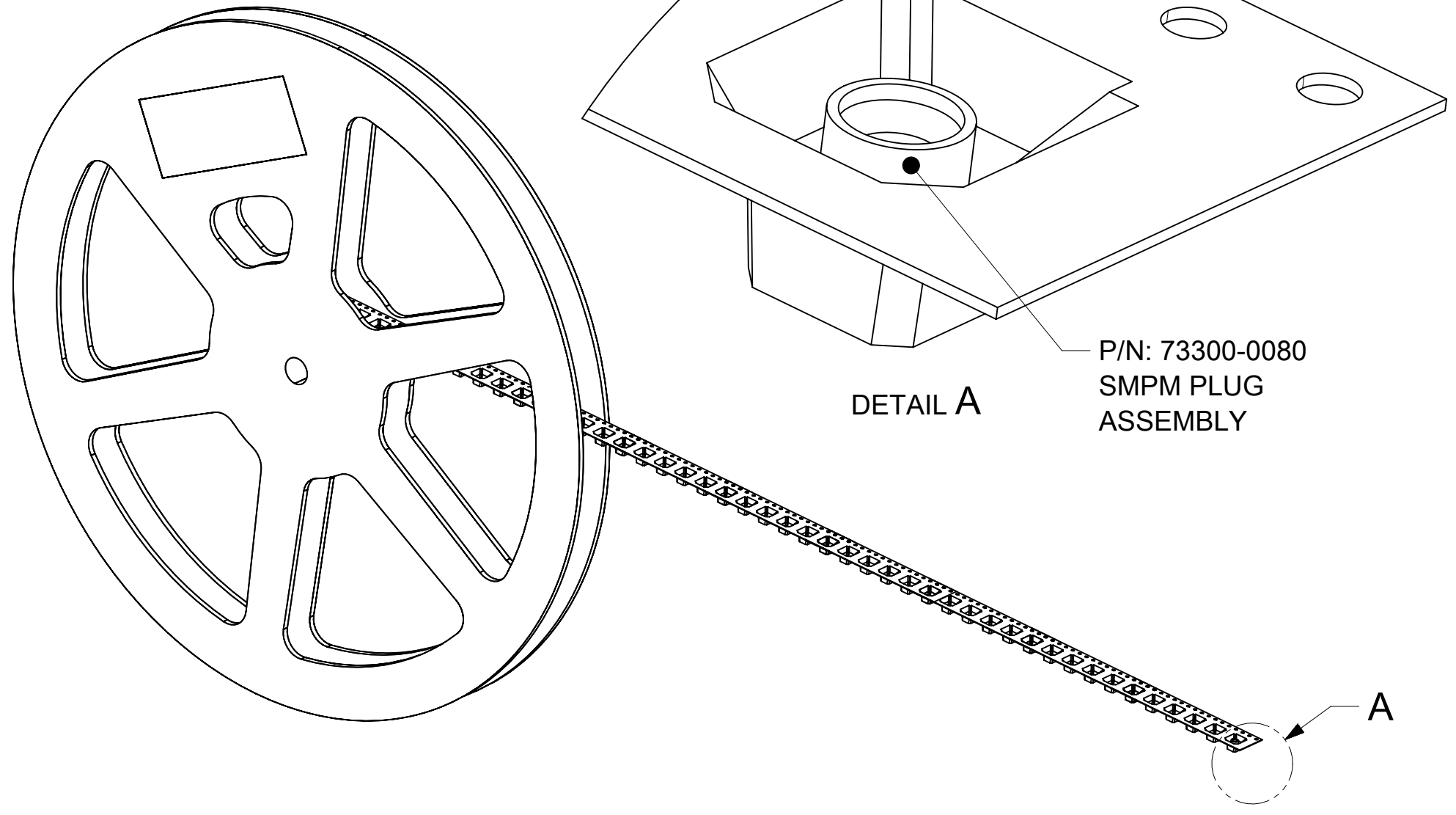
DOCUMENT NUMBER	DOC TYPE	DOC PART	REVISION
SD-73300-008	PSD	001	B6

MATERIAL NUMBER	CUSTOMER	SHEET NUMBER
733000080		4 OF 7

LABEL:
 -ORDER NUMBER
 -QUANTITY
 -PART NUMBER
 -LOT NUMBER



VIEWS FOR P/N: 73300-0081 & -0082



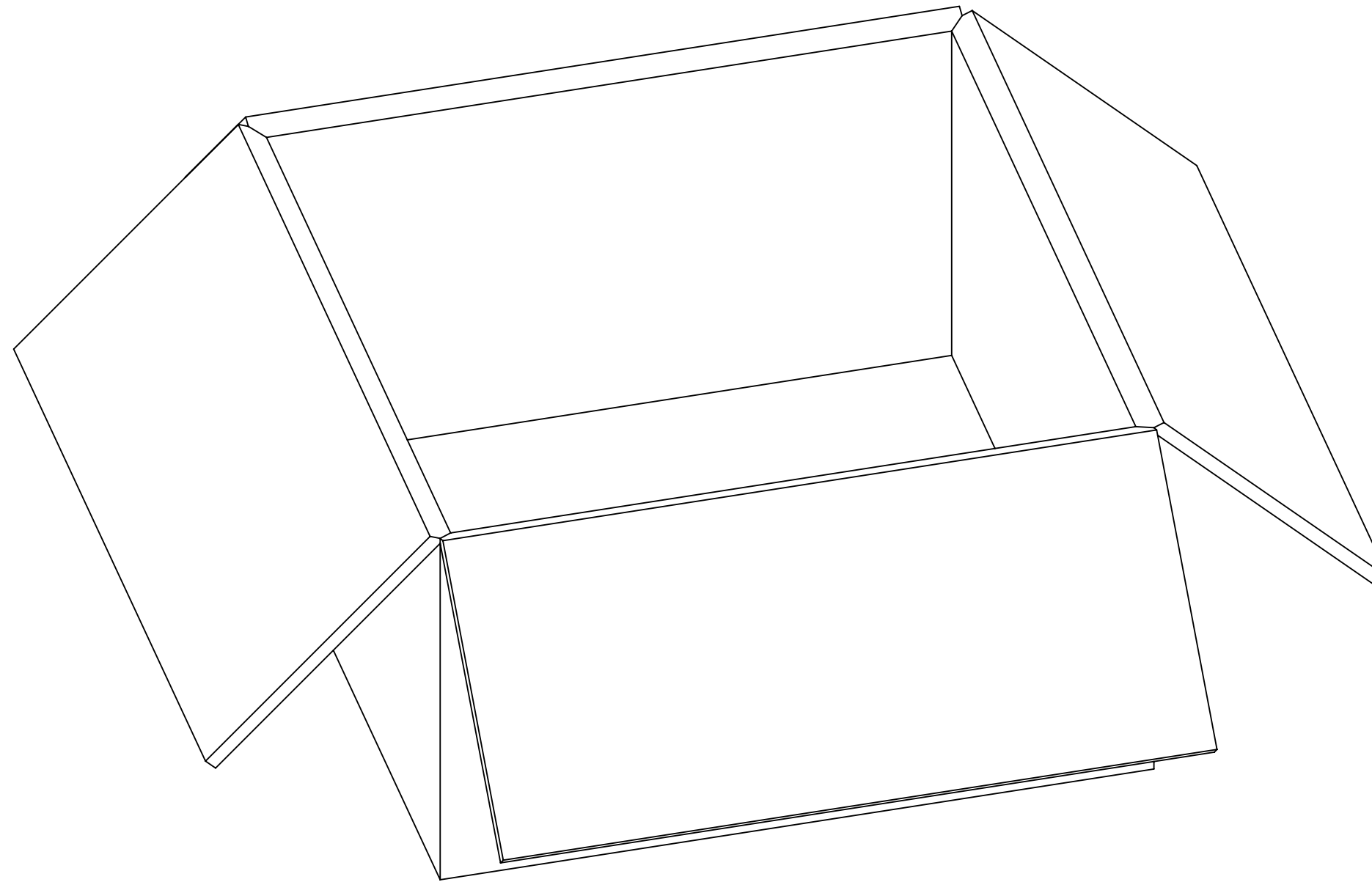
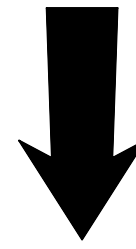
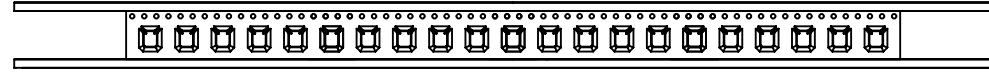
THIS DRAWING CONTAINS INFORMATION THAT IS PROPRIETARY TO MOLEX ELECTRONIC TECHNOLOGIES, LLC AND SHOULD NOT BE USED WITHOUT WRITTEN PERMISSION									
DIMENSION UNITS INCH/MM		SCALE NTS		CURRENT REV DESC: ADD LABEL FOR 73300-0083 PER EWR #14242-H					
GENERAL TOLERANCES (UNLESS SPECIFIED)				EC NO: 660983 DRWN: RYEH 2021/03/25 CHK'D: YCHENG 2021/04/21 APPR: YCHENG 2021/04/21 INITIAL REVISION: DRWN: JLEE 2010/10/29 APPR: JWIENER 2010/11/18					
	MM	INCH							
4 PLACES	±		±						
3 PLACES	±		±						
2 PLACES	±		±						
1 PLACE	±		±						
0 PLACES	±		±						
ANGULAR TOL	±		°						
DRAFT WHERE APPLICABLE MUST REMAIN WITHIN DIMENSIONS		THIRD ANGLE PROJECTION		DRAWING C-SIZE		SERIES 73300		MATERIAL NUMBER 733000080	
DOCUMENT NUMBER SD-73300-008				DOC TYPE PSD		DOC PART 001		REVISION B6	
DOCUMENT STATUS P1				RELEASE DATE 2021/04/21 06:23:47		CUSTOMER		SHEET NUMBER 5 OF 7	

P/N: 73300-0081

**1200 X 73300-0080 PER REEL
WITHOUT KAPTON TAPE
REEL P/N: 89707-0234**

P/N: 73300-0082

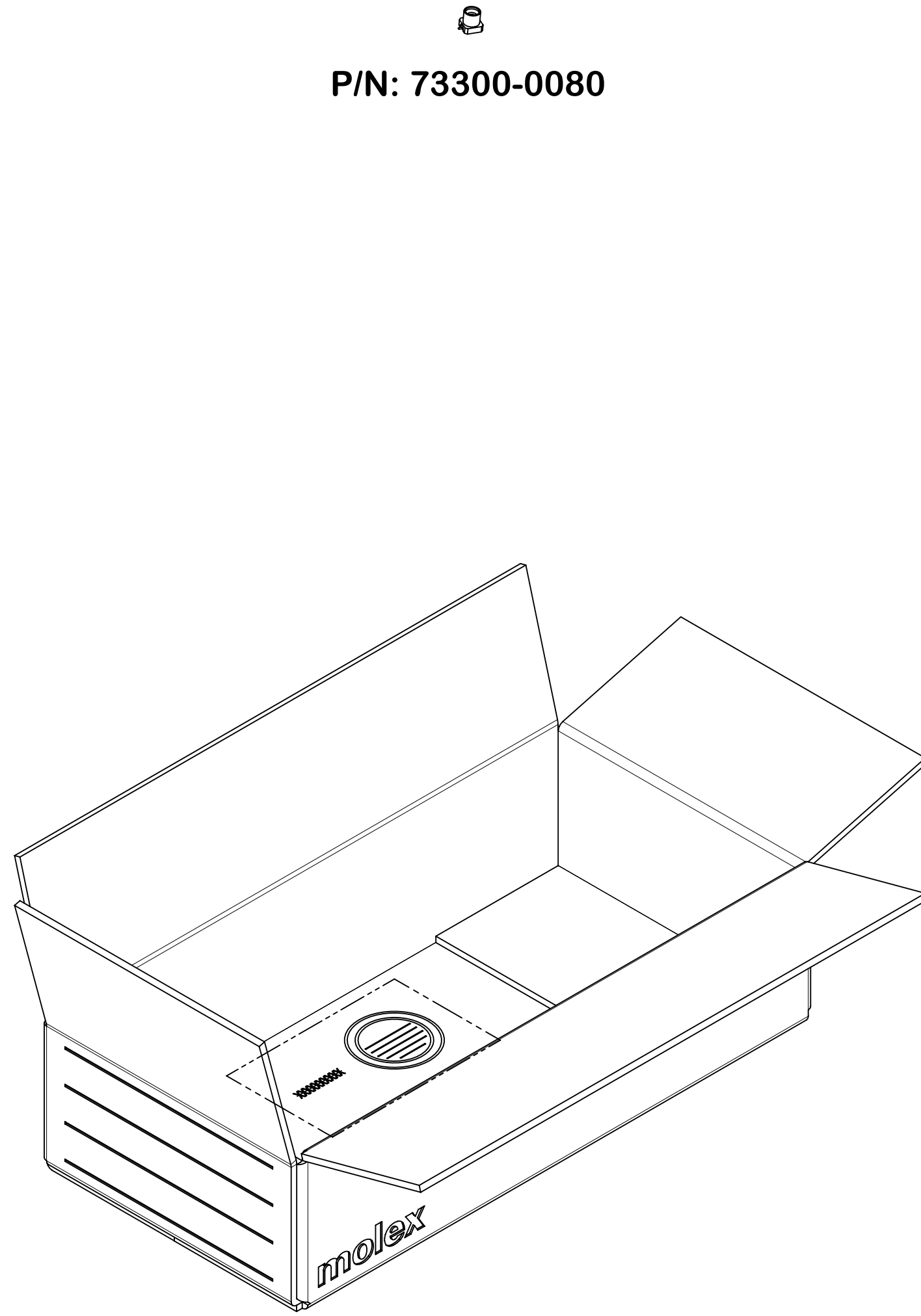
**1200 X 73300-0080 PER REEL
WITH KAPTON TAPE
REEL P/N: 89707-0234**




**7 REELS PER CARTON
P/N: 89499-9031**

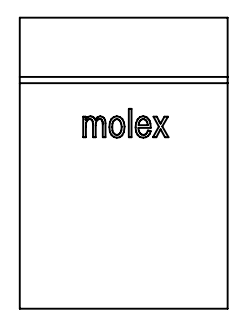
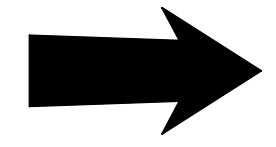
THIS DRAWING CONTAINS INFORMATION THAT IS PROPRIETARY TO MOLEX ELECTRONIC TECHNOLOGIES, LLC AND SHOULD NOT BE USED WITHOUT WRITTEN PERMISSION											
DIMENSION UNITS INCH/MM		SCALE NTS		CURRENT REV DESC: ADD LABEL FOR 73300-0083 PER EWR #14242-H				molex			
GENERAL TOLERANCES (UNLESS SPECIFIED)				EC NO: 660983 DRWN: RYEH 2021/03/25 CHK'D: YCHENG 2021/04/21 APPR: YCHENG 2021/04/21							
	MM	INCH						PRODUCT CUSTOMER DRAWING			
4 PLACES	±		±	INITIAL REVISION: DRWN: JLEE 2010/10/29 APPR: JWIENER 2010/11/18				DOCUMENT NUMBER	DOC TYPE	DOC PART	REVISION
3 PLACES	±		±					SD-73300-008			
2 PLACES	±		±	THIRD ANGLE PROJECTION 				MATERIAL NUMBER	CUSTOMER	SHEET NUMBER	
1 PLACE	±		±					C-SIZE			
0 PLACES	±		±	DRAFT WHERE APPLICABLE MUST REMAIN WITHIN DIMENSIONS				733000080			
ANGULAR TOL	±	°									

DOCUMENT STATUS	P1	RELEASE DATE	2021/04/21	06:23:47
-----------------	----	--------------	------------	----------

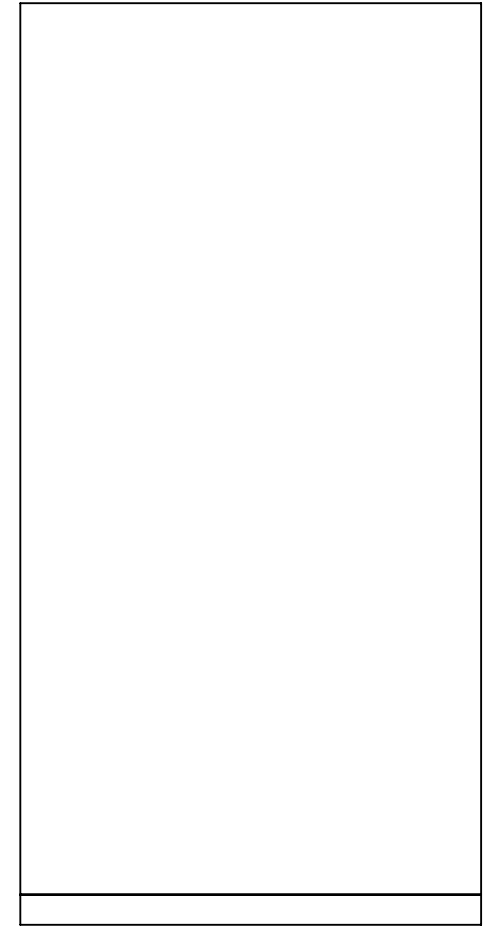
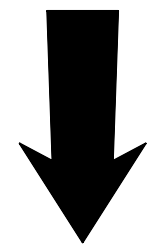


250 SETS PER CARTON BOX
P/N: 96707-0003


P/N: 73300-0080

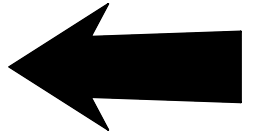


1 SETS PER BAG
P/N: 89707-0317



50 SETS PER BAG
P/N: 89707-0174

P/N: 73300-0083
250 X 73300-0080 PER CARTON
CARTON P/N: 96707-0003



THIS DRAWING CONTAINS INFORMATION THAT IS PROPRIETARY TO MOLEX ELECTRONIC TECHNOLOGIES, LLC AND SHOULD NOT BE USED WITHOUT WRITTEN PERMISSION										
DIMENSION UNITS INCH		SCALE NTS		CURRENT REV DESC: ADD LABEL FOR 73300-0083 PER EWR #14242-H			molex			
GENERAL TOLERANCES (UNLESS SPECIFIED)				EC NO: 660983						
	MM	INCH		DRWN: RYEH 2021/03/25			SMPM PLUG, PCB VERTICAL 50 OHM FULL DETENT EWR-11427, SMPM-PCB			
4 PLACES	±		±	CHK'D: YCHENG 2021/04/21			PRODUCT CUSTOMER DRAWING			
3 PLACES	±		±	APPR: YCHENG 2021/04/21			DOCUMENT NUMBER			
2 PLACES	±		±	INITIAL REVISION:			SD-73300-008			
1 PLACE	±		±	DRWN: JLEE 2010/10/29			DOC TYPE			
0 PLACES	±		±	APPR: JWIENER 2010/11/18			PSD			
ANGULAR TOL	±		°	THIRD ANGLE PROJECTION			DOC PART			
DRAFT WHERE APPLICABLE MUST REMAIN WITHIN DIMENSIONS				DRAWING C-SIZE		SERIES 73300		CUSTOMER		REVISION B6
				SHEET NUMBER		733000080		001		7 OF 7

DOCUMENT STATUS	P1	RELEASE DATE	2021/04/21	06:23:47
-----------------	----	--------------	------------	----------