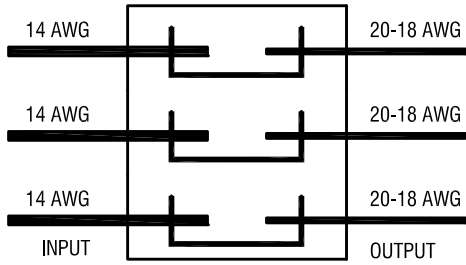
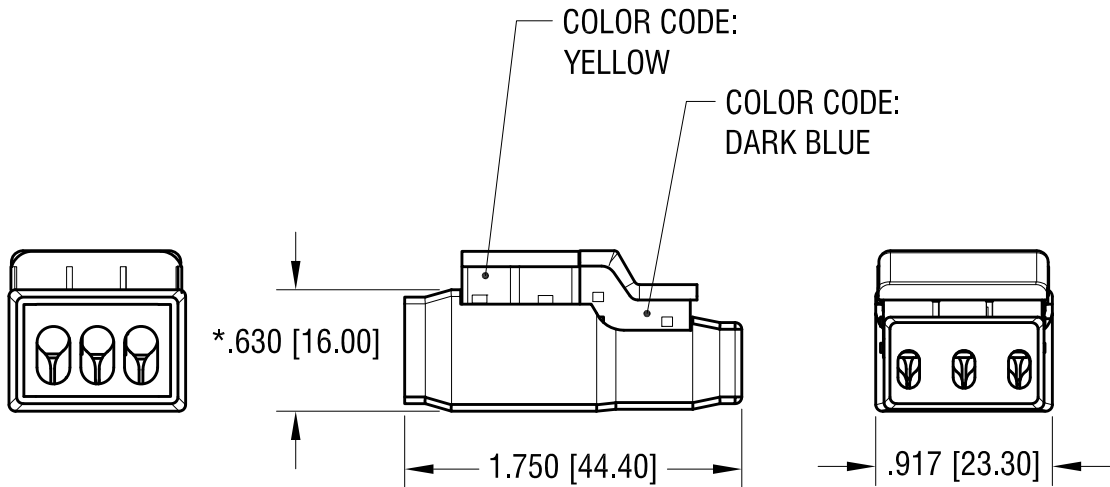
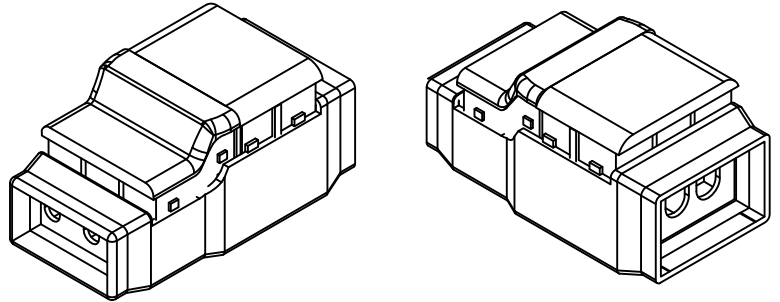


THIS DOCUMENT IS THE PROPERTY OF KEYSTONE ELECTRONICS CORP. AND SHALL NOT BE REPRODUCED, DISTRIBUTED OR USED AS A BASIS FOR MANUFACTURE WITHOUT PRIOR WRITTEN PERMISSION FROM KEYSTONE ELECTRONICS CORP.

SCHEMATIC



ACTUAL SIZE:



NOTE:

1. UNEQUAL DIAMETER 3 PIN TO 3 PIN TWO WAY SERIES
2. INSULATION: MAT'L- POLYCARBONATE, LEXAN UL 94V-0
3. CONTACT: MAT'L- COPPER ALLOY
FINISH- TIN PLATE, OVER NICKEL PLATE
4. FOR WIRE: SOLID WIRE
WIRE SIZE: 14 AWG, INPUT
20 AWG MIN. - 18 AWG MAX., OUTPUT
5. RATED VOLTAGE 300V
RATED CURRENT: 5 A

* HEIGHT OF CLOSED CONNECTOR

10.13.22 PARTS ARE NO LONGER UL LISTED
CHANGE AS PER ECN 22-159

A
REV.

| | | | |
|--|-----------------------|--------|-------------|
| KEYSTONE ELECTRONICS CORP. | | | |
| www.keyelco.com • NEW HYDE PARK, NY 11040 • Tel (516) 328-7500 | | | |
| PART NAME | | | |
| TWO WAY SERIES WIRE CONNECTOR | | | |
| MATERIAL | | | |
| AS NOTED | | | |
| FINISH | | DRN BY | DATE |
| AS NOTED | | NT | 1.06.17 |
| | | APP'D | SCALE |
| | | RH | 1X |
| TOLERANCES | INCH [MM] | CODE | DWG NO. |
| DECIMAL | $\pm .010 [\pm 0.25]$ | C | 8363 |
| ANGULAR | $\pm 1^\circ$ | | |
| UNLESS OTHERWISE SPECIFIED | | | |