

4

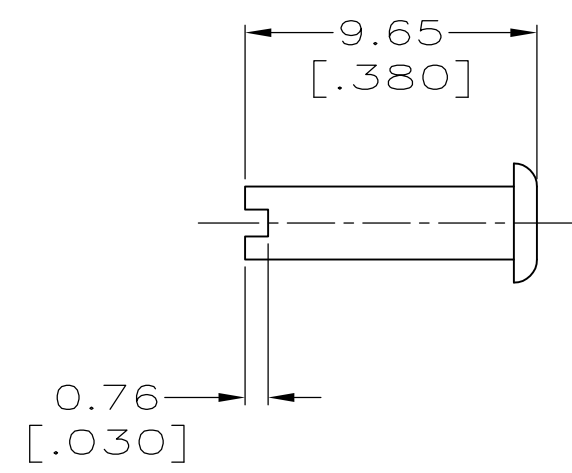
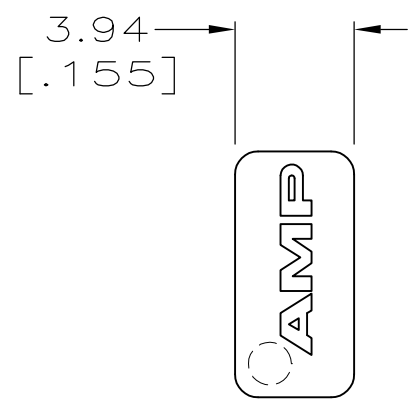
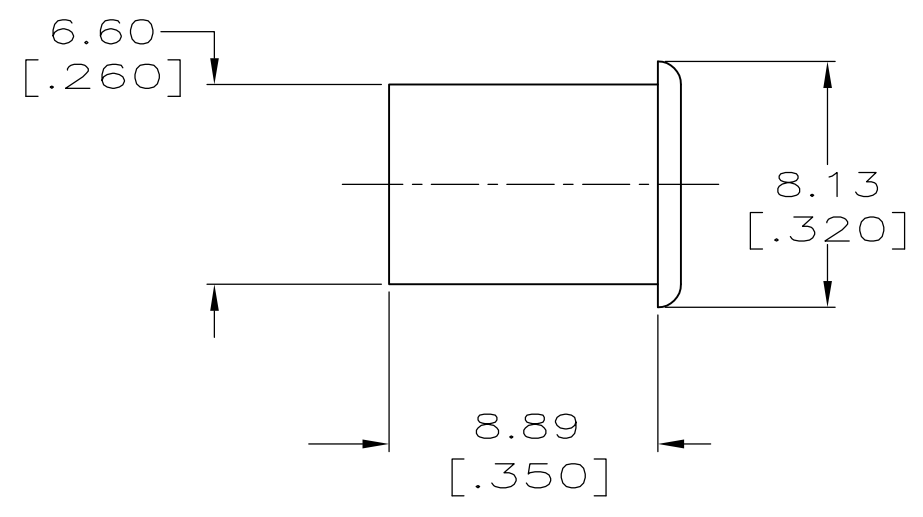
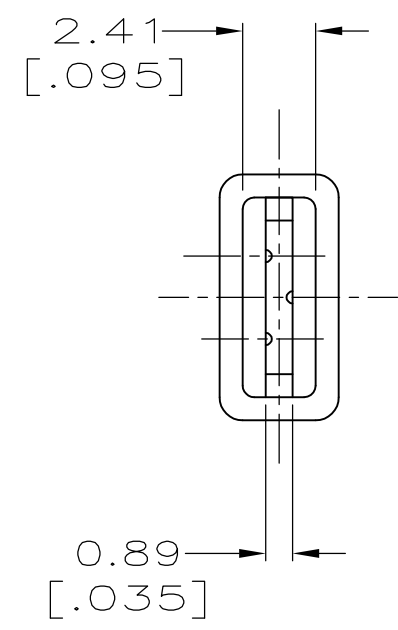
3

2

1

THIS DRAWING IS UNPUBLISHED. RELEASED FOR PUBLICATION ,19 .
 © COPYRIGHT 19 BY AMP INCORPORATED. ALL RIGHTS RESERVED.

| LOC | DIST | REVISIONS | | | | | |
|-----|------|-----------|-----|-----------------------|---------|-----|------|
| AF | 50 | P | LTR | DESCRIPTION | DATE | DWN | APVD |
| | | | C1 | REV PER ECR 07-014995 | 09OCT07 | JR | PD |



1 TO FIT ANY STANDARD 4.75 [.187] SERIES TAB 0.51 [.020] THICK.

360041-1
PART NO.

| | | | | | | | | |
|--|--|--|----------|------------------|--|------------------------------|------------|---------------|
| THIS DRAWING IS A CONTROLLED DOCUMENT. | | DWN | JR RUTH | 12/15/98 | AMP AMP Incorporated Harrisburg, PA 17105-3608 | | | |
| DIMENSIONS: MM [INCHES] | | CHK | MS FEHER | 12/15/98 | | | | |
| | | APVD | S UNGER | 12/15/98 | | | | |
| | | TOLERANCES UNLESS OTHERWISE SPECIFIED: | | NAME | | CAP, TAB, 4.75 [.187] SERIES | | |
| MATERIAL | | PRODUCT SPEC | | SIZE | | CAGE CODE | DRAWING NO | RESTRICTED TO |
| NYLON 6/6, V2 | | FINISH | | APPLICATION SPEC | | A3 00779 C- 360041 | | — |
| | | NATURAL | | WEIGHT | | CUSTOMER DRAWING | | SCALE |
| | | | | — | | 4:1 | | SHEET |
| | | | | | | 1 OF 1 | | REV |
| | | | | | | | | C1 |