

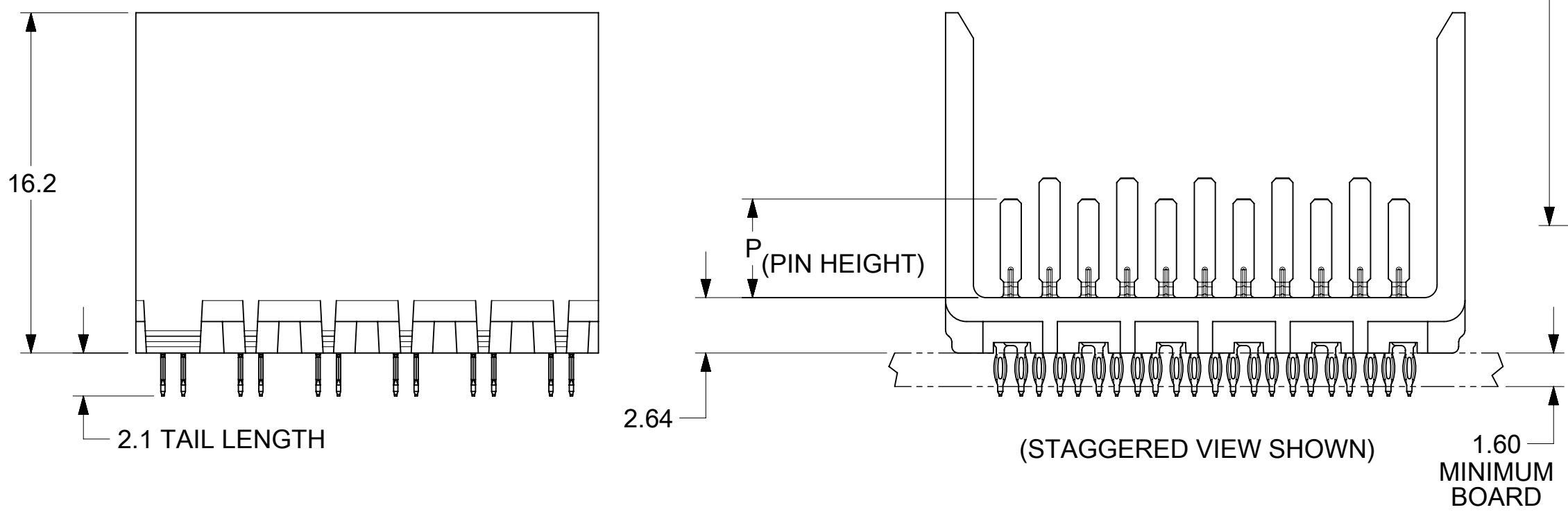
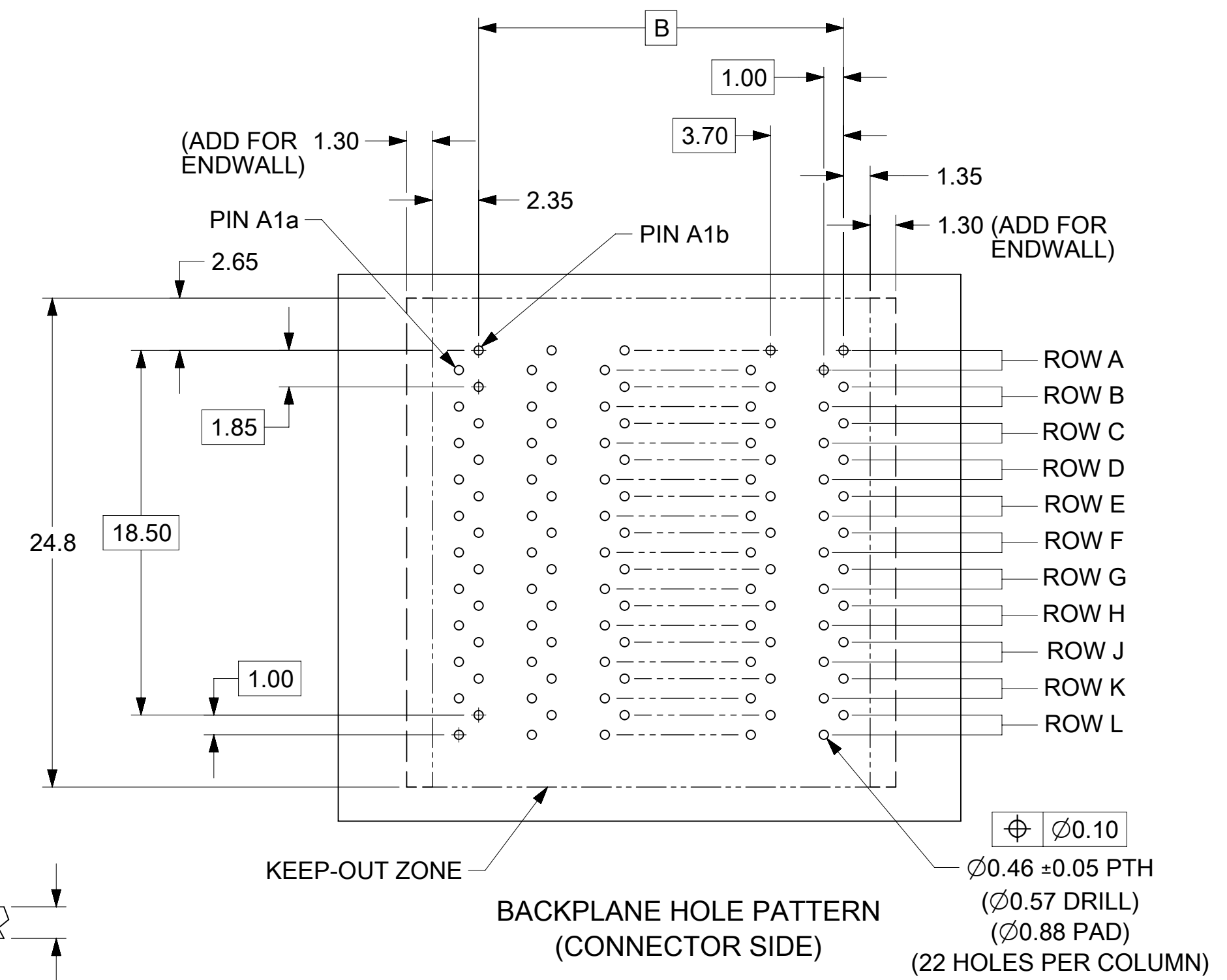
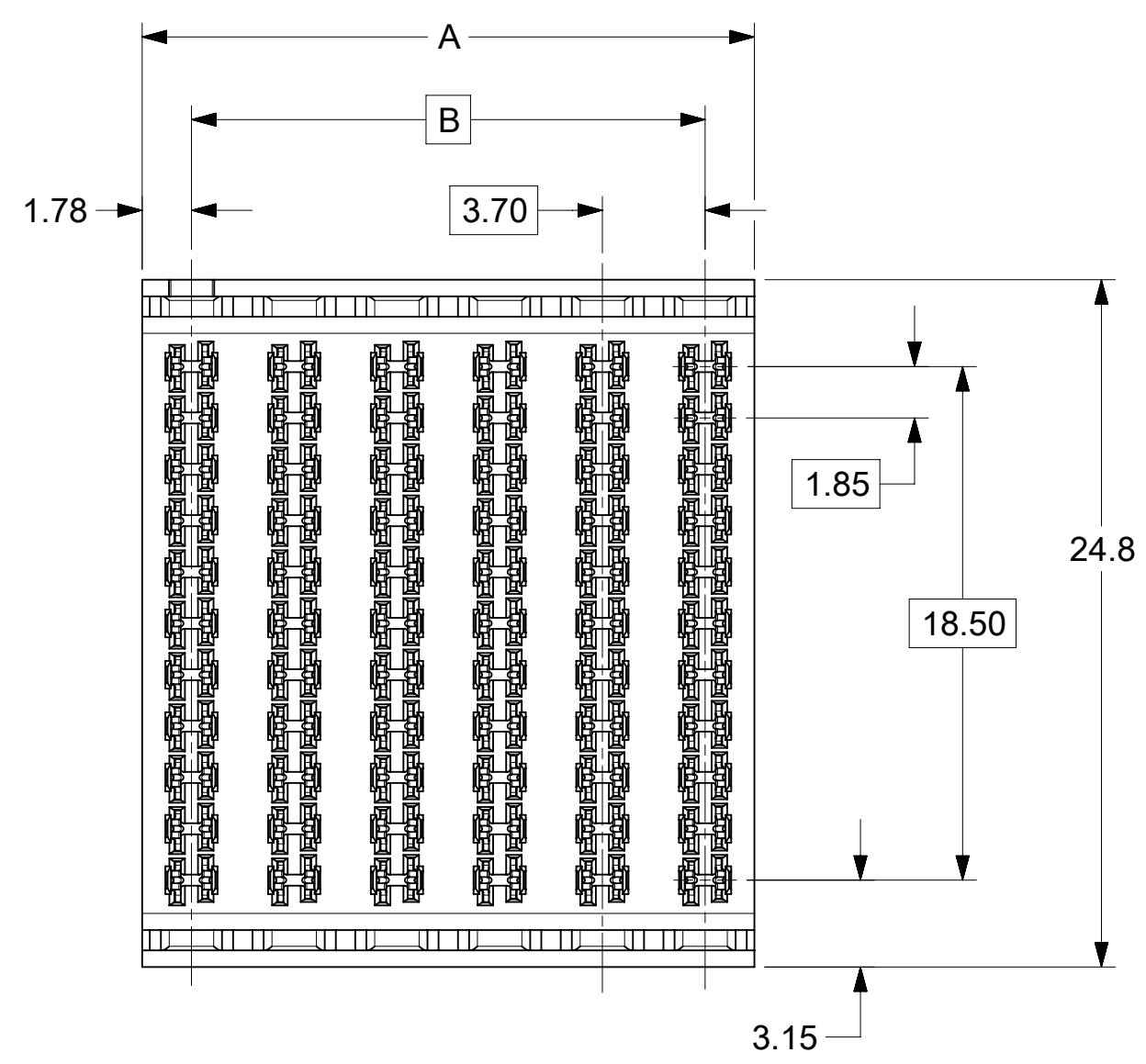
# 75705-\*\*\*\*

MODULE TYPE -- TAIL PLATING TYPE  
 UNGUIDED -- TIN ONLY = 0 (PREVIOUSLY TIN/LEAD)  
 UNGUIDED -- TIN ONLY = 1

# OF COLUMNS  
 5 = 5 COL  
 6 = 6 COL  
 8 = 8 COL  
 1 = 10 COL

END WALL OPTIONS  
 0 = OPEN ENDS  
 1 = LEFT END WALL  
 2 = DUAL END WALL  
 3 = RIGHT END WALL

PIN LENGTH (P)  
 2 = 3.90 - 30 GOLD  
 3 = 4.70 - 30 GOLD  
 4 = 5.70 - 30 GOLD  
 5 = 4.70 & 5.70 - 30 GOLD STAGGERED  
 6 = 3.90 - 10 GOLD  
 7 = 4.70 - 10 GOLD  
 8 = 5.70 - 10 GOLD  
 9 = 4.70 & 5.70 - 10 GOLD STAGGERED



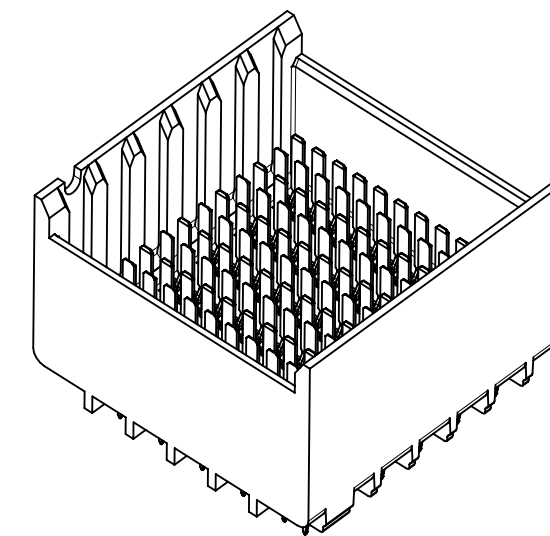
- NOTES:
- MATERIALS: HOUSING - LIQUID CRYSTAL POLYMER (LCP) GLASS-FILLED, UL94V-0  
 TERMINALS - HIGH PERFORMANCE COPPER ALLOY
  - FINISH: 10 MICROINCH MINIMUM GOLD OR 30 MICROINCH MINIMUM GOLD IN CONTACT AREA. SELECTIVE MATTE TIN ON PCB TAILS, NICKEL OVERALL.
  - REFER TO MOLEX PRODUCT SPECIFICATION PS-75710-999 FOR PERFORMANCE SPECIFICATIONS.
  - FOR MIXED CONTACT MATING LENGTHS, CONSULT MOLEX FOR AVAILABILITY.
  - THIS PART CONFORMS TO CLASS B REQUIREMENTS OF MOLEX COSMETIC SPEC PS-45499-002.
  - PACKAGE PER: PK-70873-587.
  - REFER TO PCB ROUTING GUIDE FOR ANTIPAD AND ROUTING RECOMMENDATIONS.

THIS DRAWING CONTAINS INFORMATION THAT IS PROPRIETARY TO MOLEX ELECTRONIC TECHNOLOGIES, LLC AND SHOULD NOT BE USED WITHOUT WRITTEN PERMISSION

|  |        |                                    |            |  |                 |                |
|--|--------|------------------------------------|------------|--|-----------------|----------------|
| DIMENSION UNITS                                      | SCALE  | CURRENT REV DESC: REMASTERED TO NX |            | <b>molex</b>   |                 |                |
| mm   | NTS    |                                    |            |  |                 |                |
| GENERAL TOLERANCES (UNLESS SPECIFIED)                |        | EC NO: 671119                      |            | I-TRAC BACKPLANE HEADER<br>UNGUIDED ASSEMBLY SALES DRAWING |                 |                |
| ANGULAR TOL  | ± 0.5° | DRWN: YOGEEB                       | 2021/06/17 | PRODUCT CUSTOMER DRAWING                                   |                 |                |
| 4 PLACES   | ±      | CHK'D: MMALLIGEVALU                | 2021/08/20 | DOCUMENT NUMBER  |                 |                |
| 3 PLACES   | ±      | APPR: CWANG25                      | 2022/02/18 | SD-75705-001   |                 |                |
| 2 PLACES   | ± 0.13 | INITIAL REVISION:                  |            | DOC TYPE   | DOC PART        | REVISION       |
| 1 PLACE  | ± 0.25 | DRWN: BPISZCZOR                    | 2006/06/06 | PSD  | 001             | E1             |
| 0 PLACES   | ±      | APPR: JLAURX                       | 2006/06/12 | SHEET NUMBER   |                 |                |
| DRAFT WHERE APPLICABLE MUST REMAIN WITHIN DIMENSIONS |        | THIRD ANGLE PROJECTION             | DRAWING    | SERIES   | MATERIAL NUMBER | CUSTOMER       |
|  |        |                                    | C-SIZE     | 75705  | SEE TABLE       | GENERAL MARKET |
|  |        |                                    |            |  |                 | 1 OF 4         |

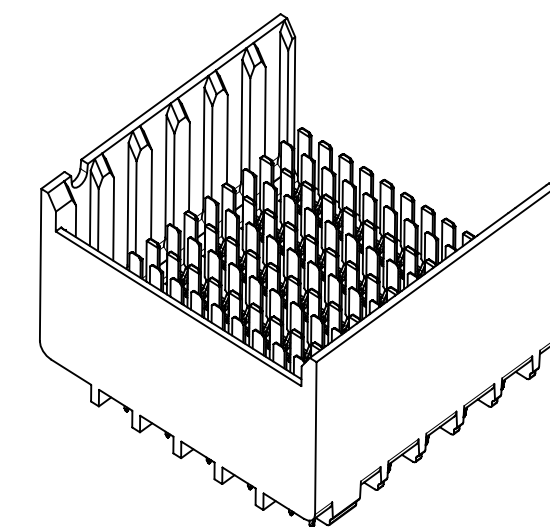
| MATERIAL NUMBER | # OF COLUMNS | DIM "A" | DIM "B" |
|-----------------|--------------|---------|---------|
| 75705-*52*      | 5            | 21.0    | 14.80   |
| 75705-*62*      | 6            | 24.7    | 18.50   |
| 75705-*82*      | 8            | 32.1    | 25.90   |
| 75705-*12*      | 10           | 39.5    | 33.30   |

DUAL END WALL STYLE



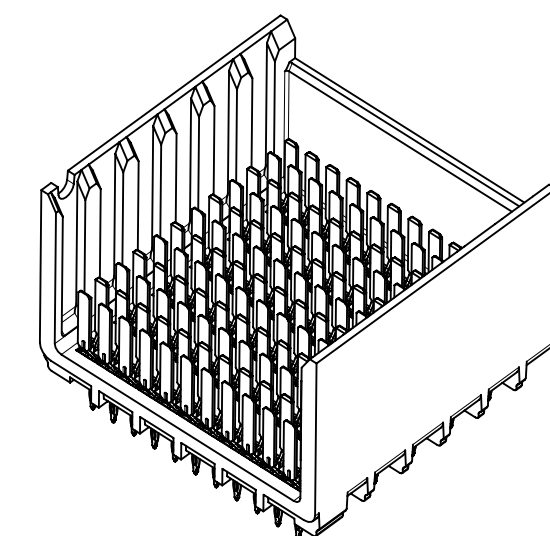
| MATERIAL NUMBER | # OF COLUMNS | DIM "A" | DIM "B" |
|-----------------|--------------|---------|---------|
| 75705-*51*      | 5            | 19.7    | 14.80   |
| 75705-*61*      | 6            | 23.4    | 18.50   |
| 75705-*81*      | 8            | 30.8    | 25.90   |
| 75705-*11*      | 10           | 38.2    | 33.30   |

LEFT END WALL STYLE



| MATERIAL NUMBER | # OF COLUMNS | DIM "A" | DIM "B" |
|-----------------|--------------|---------|---------|
| 75705-*53*      | 5            | 19.7    | 14.80   |
| 75705-*63*      | 6            | 23.4    | 18.50   |
| 75705-*83*      | 8            | 30.8    | 25.90   |
| 75705-*13*      | 10           | 38.2    | 33.30   |

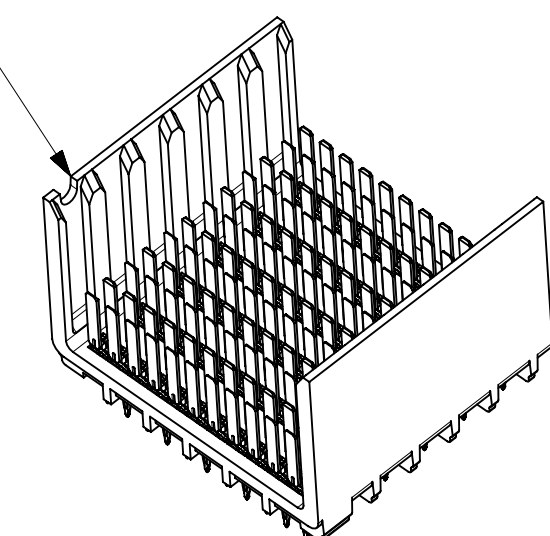
RIGHT END WALL STYLE



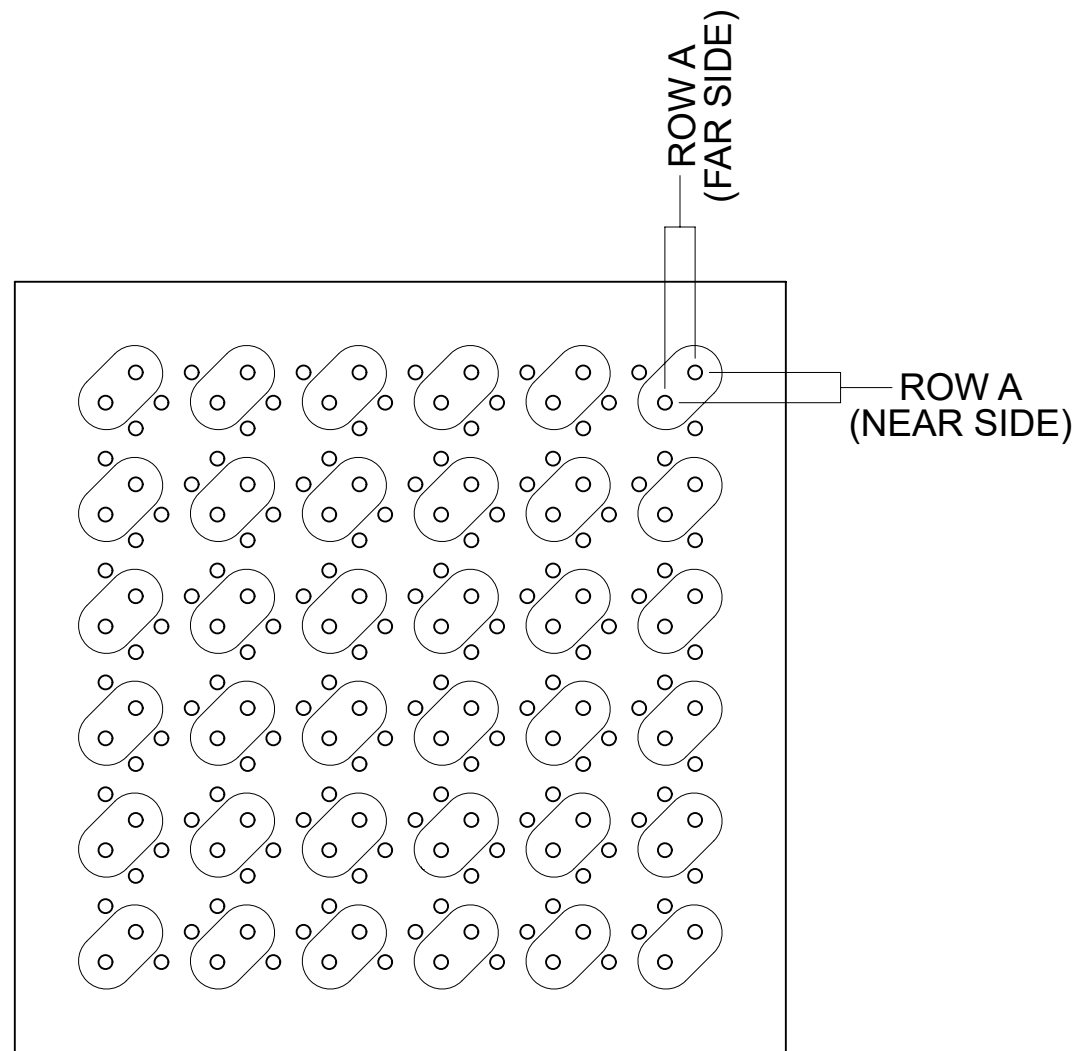
| MATERIAL NUMBER | # OF COLUMNS | DIM "A" | DIM "B" |
|-----------------|--------------|---------|---------|
| 75705-*50*      | 5            | 18.35   | 14.80   |
| 75705-*60*      | 6            | 22.05   | 18.50   |
| 75705-*80*      | 8            | 29.45   | 25.90   |
| 75705-*10*      | 10           | 36.85   | 33.30   |

OPEN STYLE

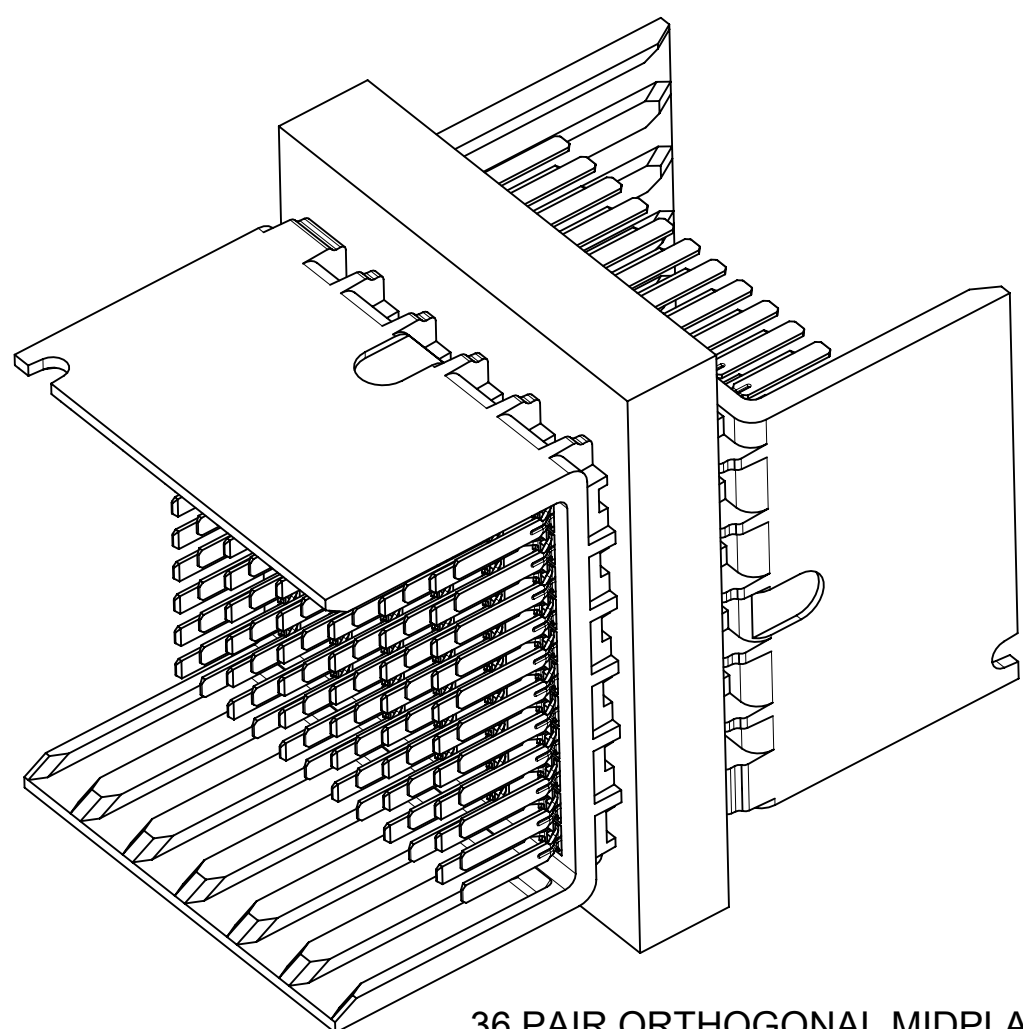
NOTCH DESIGNATES ROW A



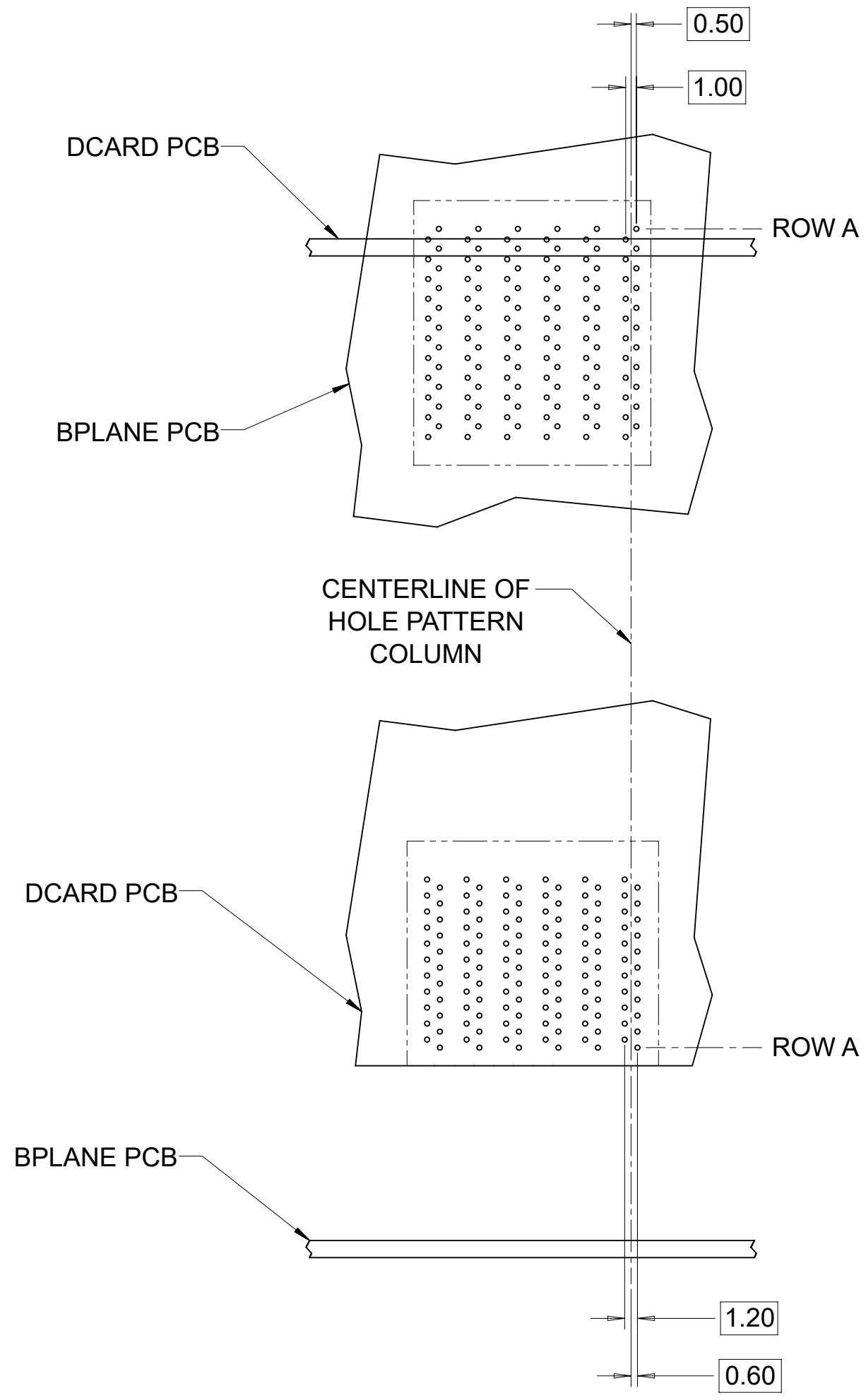
|   |  |                        |  |                                    |  |                     |  |  |  |
|---|--|------------------------|--|------------------------------------|--|---------------------|--|--|--|
| THIS DRAWING CONTAINS INFORMATION THAT IS PROPRIETARY TO MOLEX ELECTRONIC TECHNOLOGIES, LLC AND SHOULD NOT BE USED WITHOUT WRITTEN PERMISSION |  |                        |  |                                    |  |                     |  |  |  |
| DIMENSION UNITS   |  | SCALE                  |  | CURRENT REV DESC: REMASTERED TO NX |  |                     |  | <b>molex</b>   |  |
| mm  |  | NTS                    |  |                                    |  |                     |  |  |  |
| GENERAL TOLERANCES (UNLESS SPECIFIED)   |  |                        |  | EC NO: 671119                      |  |                     |  | I-TRAC BACKPLANE HEADER<br>UNGUIDED ASSEMBLY SALES DRAWING |  |
| ANGULAR TOL ± 0.5°  |  |                        |  | DRWN: YOGEEB 2021/06/17            |  |                     |  |  |  |
| 4 PLACES ±  |  |                        |  | CHK'D: MMALLIGEVALU 2021/08/20     |  |                     |  | PRODUCT CUSTOMER DRAWING                                   |  |
| 3 PLACES ±  |  |                        |  | APPR: CWANG25 2022/02/18           |  |                     |  |  |  |
| 2 PLACES ± 0.13   |  |                        |  | INITIAL REVISION:                  |  |                     |  | DOCUMENT NUMBER  |  |
| 1 PLACE ± 0.25  |  |                        |  | DRWN: BPISZCZOR 2006/06/06         |  |                     |  |  |  |
| 0 PLACES ±  |  |                        |  | APPR: JLAURX 2006/06/12            |  |                     |  | SD-75705-001   |  |
| DRAFT WHERE APPLICABLE MUST REMAIN WITHIN DIMENSIONS  |  | THIRD ANGLE PROJECTION |  | DRAWING                            |  | SERIES              |  | SHEET NUMBER   |  |
|   |  |                        |  | C-SIZE                             |  | 75705               |  | 2 OF 4   |  |
| DOCUMENT STATUS   |  | P1                     |  | RELEASE DATE                       |  | 2022/02/18 05:03:40 |  | CUSTOMER   |  |
|   |  |                        |  |                                    |  |                     |  | GENERAL MARKET   |  |



ORTHOGONAL MIDPLANE HOLE PATTERN  
(36 SIGNAL PAIRS SHARE VIAS)

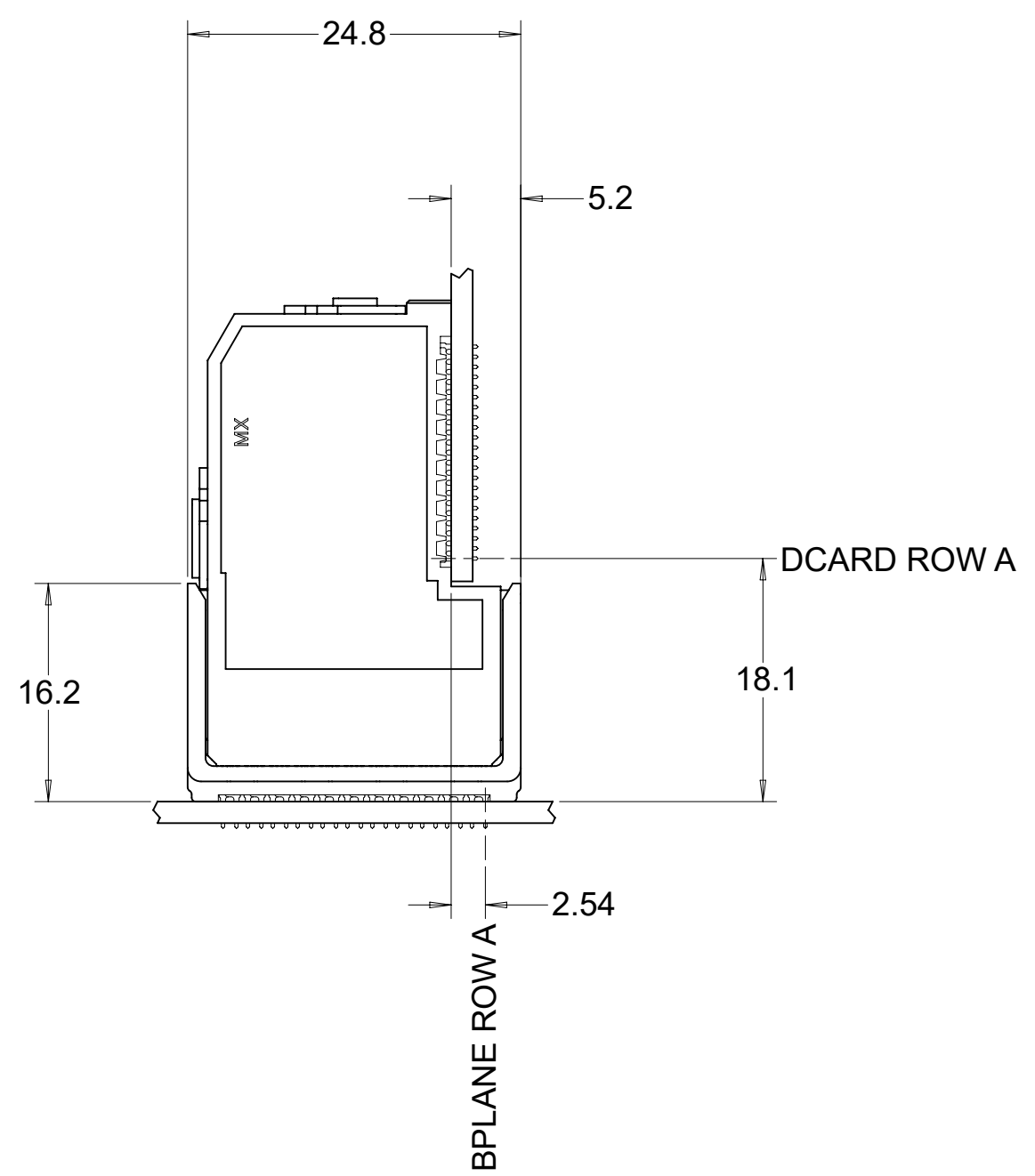


36 PAIR ORTHOGONAL MIDPLANE NODE  
(USES TWO 6 COLUMN I-TRAC HEADERS)



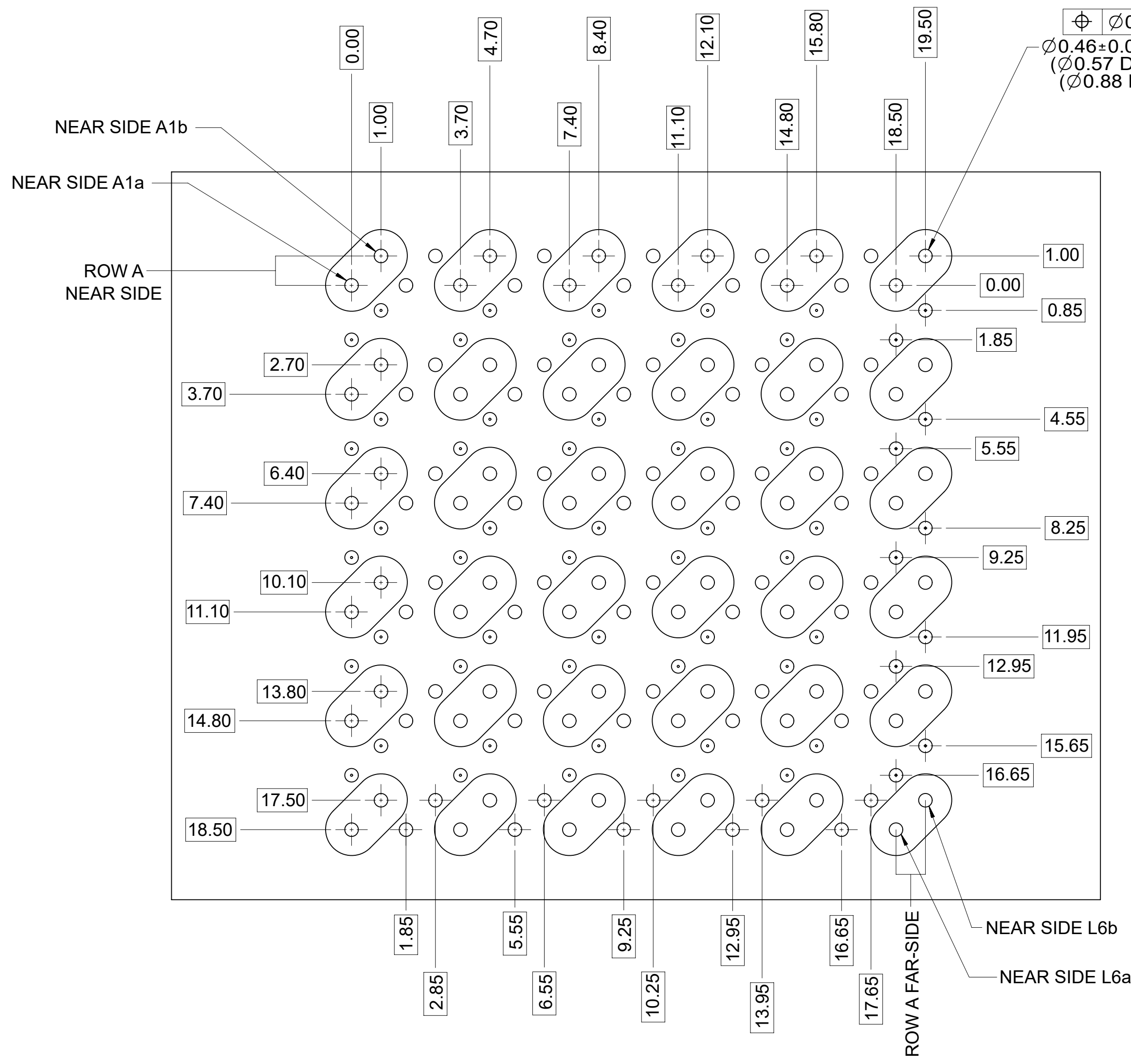
I-TRAC 11 ROW  
BOARD RELATIONSHIPS

SCALE 2:1



THIS DRAWING CONTAINS INFORMATION THAT IS PROPRIETARY TO MOLEX ELECTRONIC TECHNOLOGIES, LLC AND SHOULD NOT BE USED WITHOUT WRITTEN PERMISSION

|  |  |       |  |                                    |  |         |  |  |  |           |  |                |  |                 |  |
|--|--|-------|--|------------------------------------|--|---------|--|--|--|-----------|--|----------------|--|-----------------|--|
| DIMENSION UNITS                                      |  | SCALE |  | CURRENT REV DESC: REMASTERED TO NX |  |         |  |  |  |           |  |                |  |                 |  |
| mm   |  | NTS   |  |                                    |  |         |  |  |  |           |  |                |  |                 |  |
| GENERAL TOLERANCES (UNLESS SPECIFIED)                |  |       |  | EC NO: 671119                      |  |         |  | I-TRAC BACKPLANE HEADER<br>UNGUIDED ASSEMBLY SALES DRAWING |  |           |  |                |  |                 |  |
| ANGULAR TOL ± 0.5°                                   |  |       |  | DRWN: YOGEEB 2021/06/17            |  |         |  |  |  |           |  |                |  |                 |  |
| 4 PLACES ±   |  |       |  | CHK'D: MMALLIGEVALU 2021/08/20     |  |         |  | PRODUCT CUSTOMER DRAWING                                   |  |           |  |                |  |                 |  |
| 3 PLACES ±   |  |       |  | APPR: CWANG25 2022/02/18           |  |         |  |  |  |           |  |                |  |                 |  |
| 2 PLACES ± 0.13                                      |  |       |  | INITIAL REVISION:                  |  |         |  | DOCUMENT NUMBER<br><b>SD-75705-001</b>                     |  |           |  |                |  |                 |  |
| 1 PLACE ± 0.25                                       |  |       |  | DRWN: BPISZCZOR 2006/06/06         |  |         |  |  |  |           |  |                |  |                 |  |
| 0 PLACES ±   |  |       |  | APPR: JLAURX 2006/06/12            |  |         |  | DOC TYPE DOC PART REVISION<br>PSD 001 E1                   |  |           |  |                |  |                 |  |
| DRAFT WHERE APPLICABLE MUST REMAIN WITHIN DIMENSIONS |  |       |  | THIRD ANGLE PROJECTION             |  | DRAWING |  |  |  |           |  | SERIES         |  | MATERIAL NUMBER |  |
|  |  |       |  |                                    |  | C-SIZE  |  | 75705  |  | SEE TABLE |  | GENERAL MARKET |  | 3 OF 4          |  |



### ORTHO PIN MAPPING

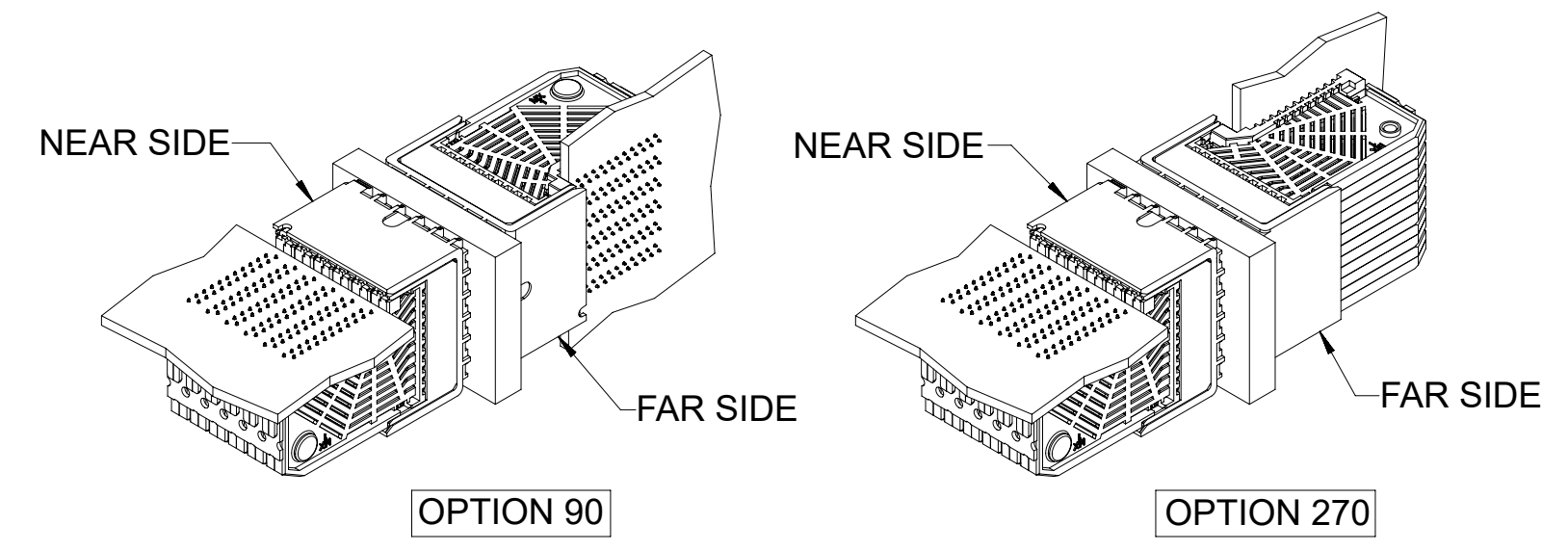
OPTION 90 (NEAR SIDE - FAR SIDE)

|         |         |         |         |         |         |
|---------|---------|---------|---------|---------|---------|
| A1b-L6b | A2b-J6b | A3b-G6b | A4b-E6b | A5b-C6b | A6b-A6b |
| A1a-L6a | A2a-J6a | A3a-G6a | A4a-E6a | A5a-C6a | A6a-A6a |
| C1b-L5b | C2b-J5b | C3b-G5b | C4b-E5b | C5b-C5b | C6b-A5b |
| C1a-L5a | C2a-J5a | C3a-G5a | C4a-E5a | C5a-C5a | C6a-A5a |
| E1b-L4b | E2b-J4b | E3b-G4b | E4b-E4b | E5b-C4b | E6b-A4b |
| E1a-L4a | E2a-J4a | E3a-G4a | E4a-E4a | E5a-C4a | E6a-A4a |
| G1b-L3b | G2b-J3b | G3b-G3b | G4b-E3b | G5b-C3b | G6b-A3b |
| G1a-L3a | G2a-J3a | G3a-G3a | G4a-E3a | G5a-C3a | G6a-A3a |
| J1b-L2b | J2b-J2b | J3b-G2b | J4b-E2b | J5b-C2b | J6b-A2b |
| J1a-L2a | J2a-J2a | J3a-G2a | J4a-E2a | J5a-C2a | J6a-A2a |
| L1b-L1b | L2b-J1b | L3b-G1b | L4b-E1b | L5b-C1b | L6b-A1b |
| L1a-L1a | L2a-J1a | L3a-G1a | L4a-E1a | L5a-C1a | L6a-A1a |

### ORTHO PIN MAPPING

OPTION 270 (NEAR SIDE - FAR SIDE)

|         |         |         |         |         |         |
|---------|---------|---------|---------|---------|---------|
| A1b-A1a | A2b-C1a | A3b-E1a | A4b-G1a | A5b-J1a | A6b-L1a |
| A1a-A1b | A2a-C1b | A3a-E1b | A4a-G1b | A5a-J1b | A6a-L1b |
| C1b-A2a | C2b-C2a | C3b-E2a | C4b-G2a | C5b-J2a | C6b-L2a |
| C1a-A2b | C2a-C2b | C3a-E2b | C4a-G2b | C5a-J2b | C6a-L2b |
| E1b-A3a | E2b-C3a | E3b-E3a | E4b-G3a | E5b-J3a | E6b-L3a |
| E1a-A3b | E2a-C3b | E3a-E3b | E4a-G3b | E5a-J3b | E6a-L3b |
| G1b-A4a | G2b-C4a | G3b-E4a | G4b-G4a | G5b-J4a | G6b-L4a |
| G1a-A4b | G2a-C4b | G3a-E4b | G4a-G4b | G5a-J4b | G6a-L4b |
| J1b-A5a | J2b-C5a | J3b-E5a | J4b-G5a | J5b-J5a | J6b-L5a |
| J1a-A5b | J2a-C5b | J3a-E5b | J4a-G5b | J5a-J5b | J6a-L5b |
| L1b-A6a | L2b-C6a | L3b-E6a | L4b-G6a | L5b-J6a | L6b-L6a |
| L1a-A6b | L2a-C6b | L3a-E6b | L4a-G6b | L5a-J6b | L6a-L6b |



- NOTES:
- SIGNAL PAIRS (SHARED VIAS)
  - NEAR SIDE GROUNDS
  - FAR SIDE GROUNDS

## Orthogonal PCB Layout

THIS DRAWING CONTAINS INFORMATION THAT IS PROPRIETARY TO MOLEX ELECTRONIC TECHNOLOGIES, LLC AND SHOULD NOT BE USED WITHOUT WRITTEN PERMISSION

|  |                        |                                    |            |  |                |
|--|------------------------|------------------------------------|------------|--|----------------|
| DIMENSION UNITS: mm                                  | SCALE: NTS             | CURRENT REV DESC: REMASTERED TO NX |            | <b>molex</b>   |                |
| GENERAL TOLERANCES (UNLESS SPECIFIED)                |                        | EC NO: 671119                      |            | I-TRAC BACKPLANE HEADER<br>UNGUIDED ASSEMBLY SALES DRAWING |                |
| ANGULAR TOL ± 0.5°                                   | 4 PLACES ±             | DRWN: YOGEEB                       | 2021/06/17 | PRODUCT CUSTOMER DRAWING                                   |                |
| 3 PLACES ±   | 2 PLACES ± 0.13        | CHK'D: MMALLIGEVALU                | 2021/08/20 | DOCUMENT NUMBER  |                |
| 1 PLACE ± 0.25                                       | 0 PLACES ±             | APPR: CWANG25                      | 2022/02/18 | SD-75705-001   |                |
| DRAFT WHERE APPLICABLE MUST REMAIN WITHIN DIMENSIONS | THIRD ANGLE PROJECTION | INITIAL REVISION:                  | 2006/06/06 | DOC TYPE: PSD  | DOC PART: 001  |
|  |                        | DRWN: BPISZCZOR                    | 2006/06/12 | SHEET NUMBER   | 4 OF 4         |
|  |                        | APPR: JLAURX                       |            | MATERIAL NUMBER  | CUSTOMER       |
|  |                        |                                    |            | SEE TABLE  | GENERAL MARKET |