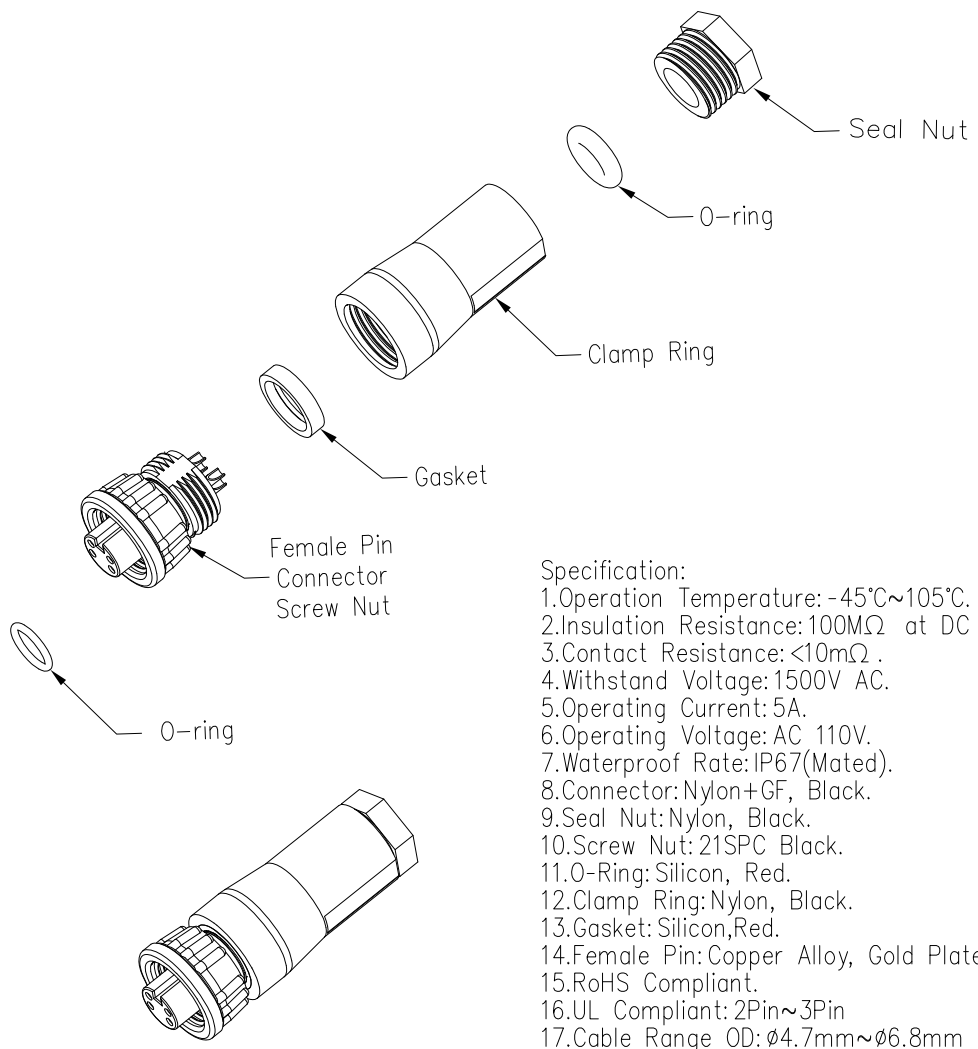
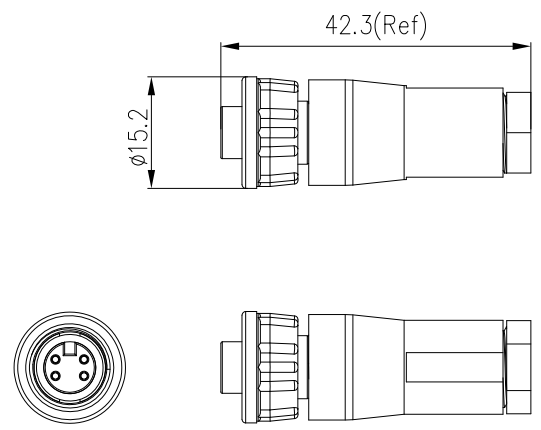


THIS INFORMATION IS CONFIDENTIAL AND IS DISCLOSED TO YOU ON CONDITION THAT NO FURTHER DISCLOSURE IS MADE BY YOU TO OTHER THAN CHOGORI PERSONNEL WITHOUT AUTHORIZATION FROM CHOGORI CORP.

REV.	ECN NO.	DESCRIPTION	SIGN	DATE
C1	N/A	INITIAL DRAWING	Victory	2020/04/09



Specification:

- 1.Operation Temperature: -45°C~105°C.
- 2.Insulation Resistance:100MΩ at DC 500V.
- 3.Contact Resistance:<10mΩ .
- 4.Withstand Voltage:1500V AC.
- 5.Operating Current:5A.
- 6.Operating Voltage:AC 110V.
- 7.Waterproof Rate:IP67(Mated).
- 8.Connector:Nylon+GF, Black.
- 9.Seal Nut:Nylon, Black.
- 10.Screw Nut: 21SPC Black.
- 11.O-Ring: Silicon, Red.
- 12.Clamp Ring:Nylon, Black.
- 13.Gasket: Silicon,Red.
- 14.Female Pin:Copper Alloy, Gold Plated.
- 15.RoHS Compliant.
- 16.UL Compliant: 2Pin~3Pin
- 17.Cable Range OD:φ4.7mm~φ6.8mm
- 18.Mating Cap P/N: 806-00057-00.

21XXX211-01
Pin Number

2 Pin	3 Pin	4 Pin
P/N: 21002211-01	P/N: 21003211-01	P/N: 21004211-01
Pin Assignments Front View		

UNIT:mm		DESCRIPTION Mini Series Screw Type Male Plug With Female Pin	
TOLERANCE	±0.25 XX ±0.15 XXX ±0.05 ANGLES ±1°	SCALE: 1:1	SHEET 1 OF 1
REV. C1	SIZE A4	*:Inspection Item	

CHOGORI[®]

PART NO 21XXX211-01	DRAWN BY Victory	DATE 2020/04/09
DWG NO	CHECKED BY Ivan	DATE 2020/04/09
CUSTOMER	APPROVED BY Panson	DATE 2020/04/09