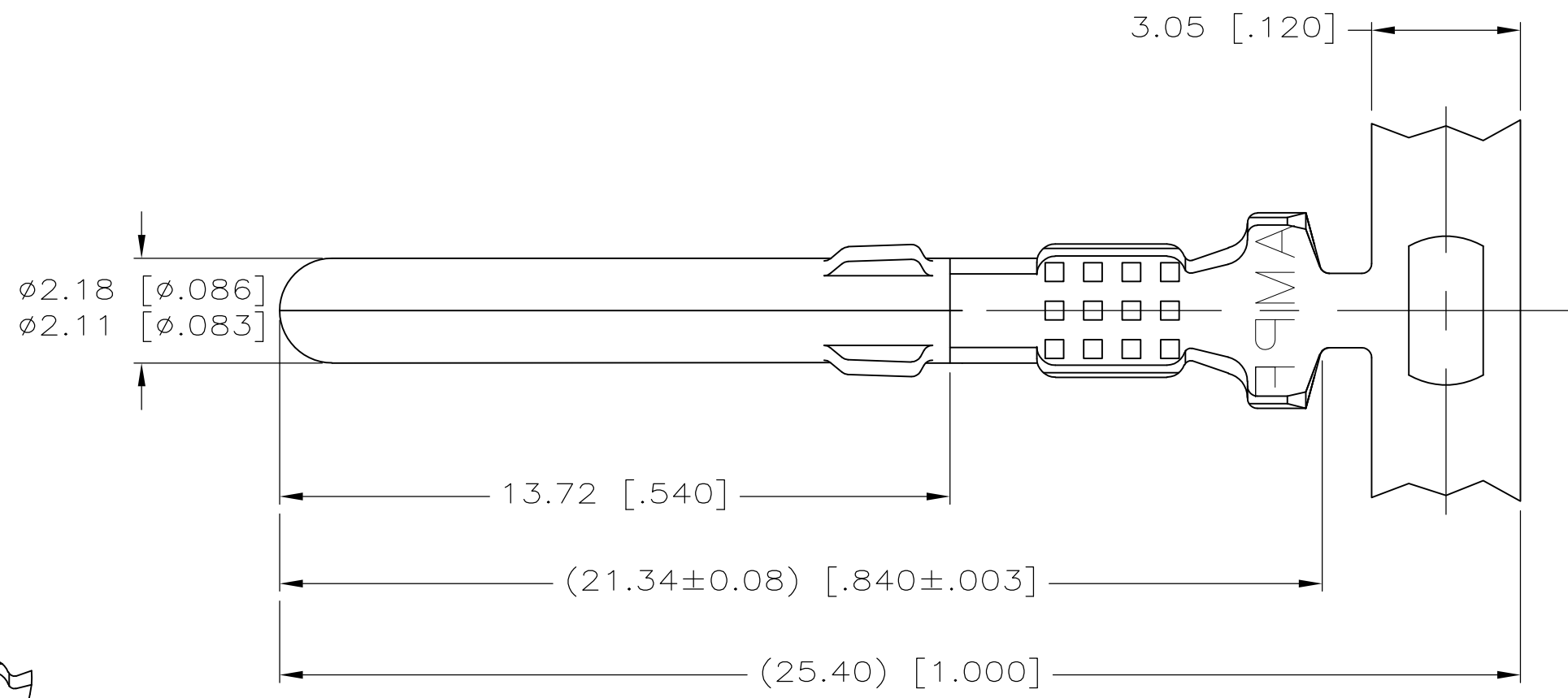
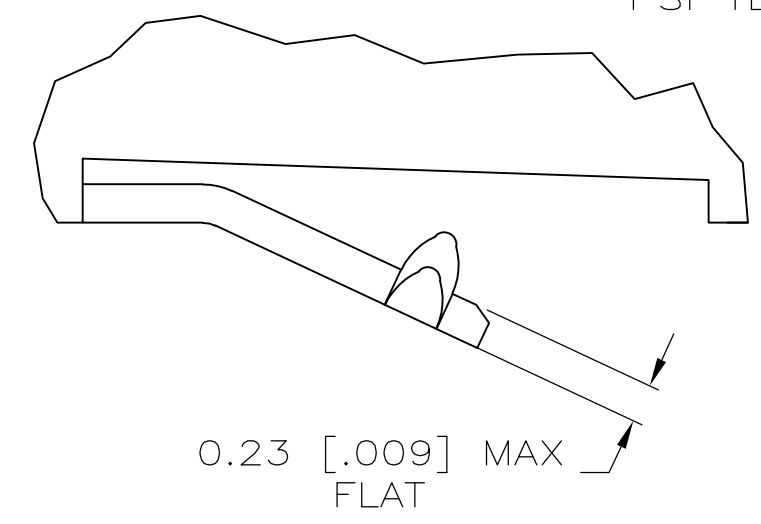


THIS DRAWING IS UNPUBLISHED. RELEASED FOR PUBLICATION  
 © COPYRIGHT - By - ALL RIGHTS RESERVED.

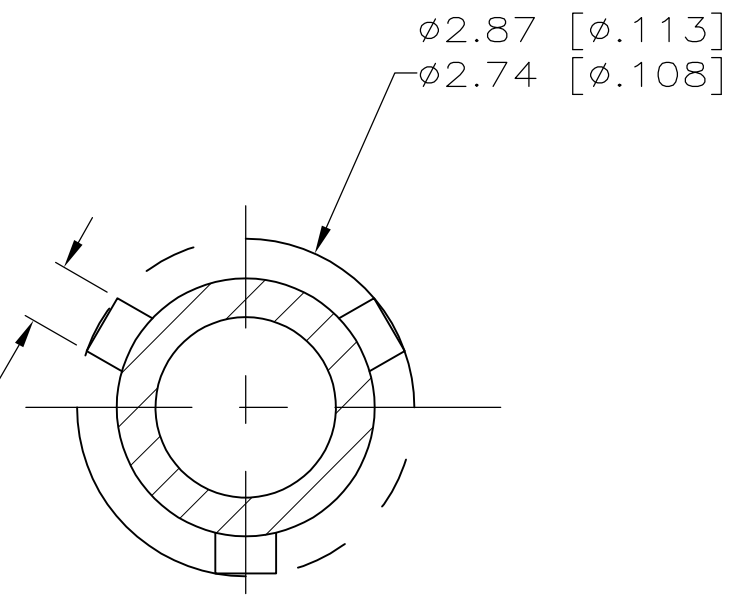
LOC		DIST		REVISIONS			
P	LTR	DESCRIPTION		DATE	DWN	APVD	
CM	00	G1	REVISED PER ECO-14-007437		12JUNE14	GK	KD



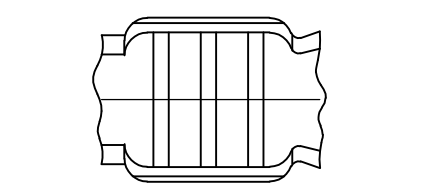
1. REVERSE REEL OF 61271-1 FOR MINI-APPLICATOR.
2. TERMINATE PER AMP SPECIFICATION 115-8000.
3. WIRE RANGE: 22-18 GA. (0.3-0.9mm<sup>2</sup>)
4. INSULATION DIAMETER 2.67 [.105] MAX.
- 5 MATERIAL: 0.31 [.012] BRASS 80-95000 PSI TENSILE STRENGTH.



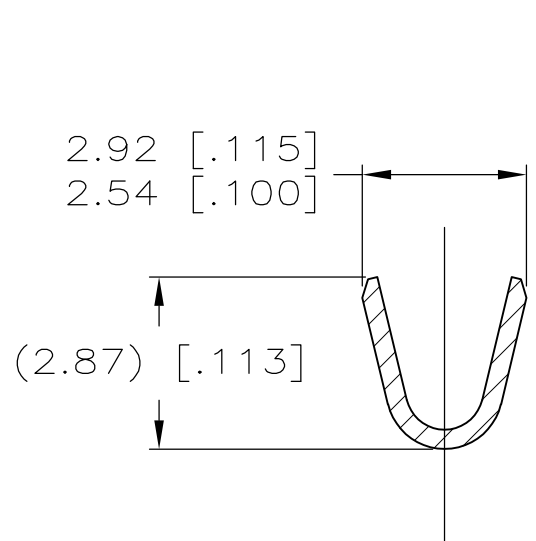
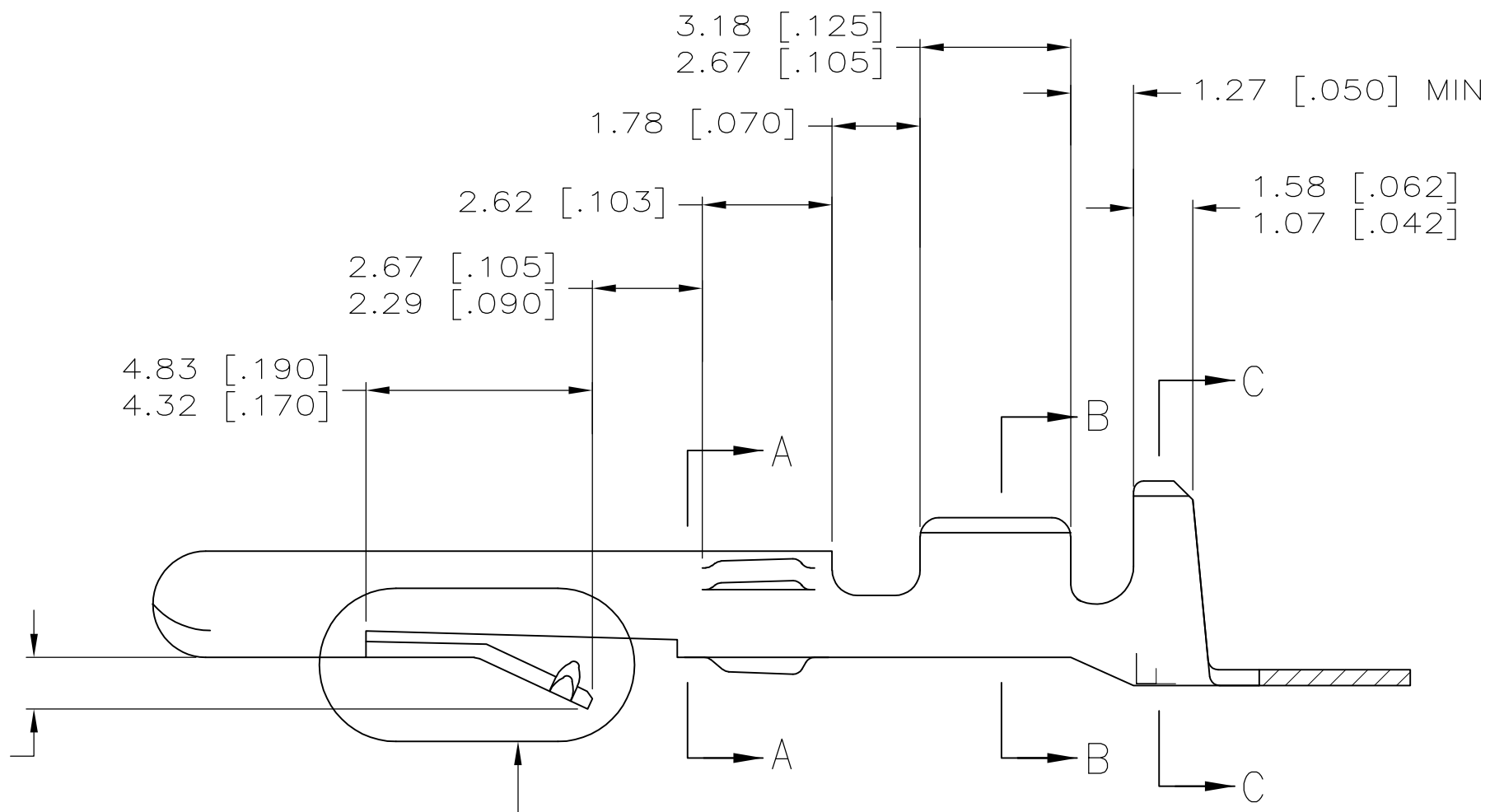
DETAIL A  
SCALE 20:1



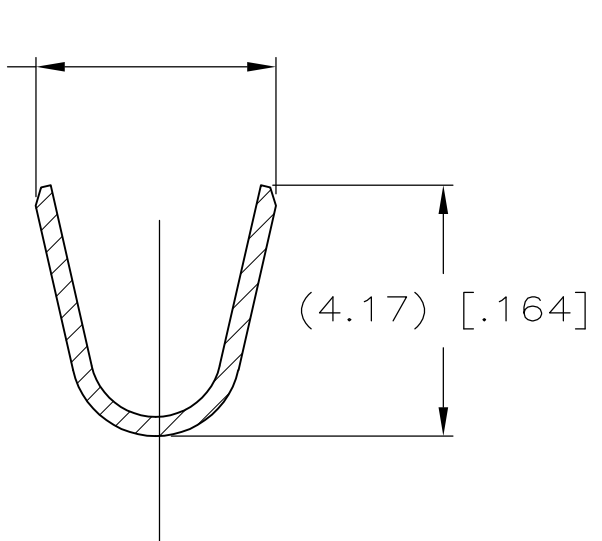
SECTION A-A  
SCALE 16:1



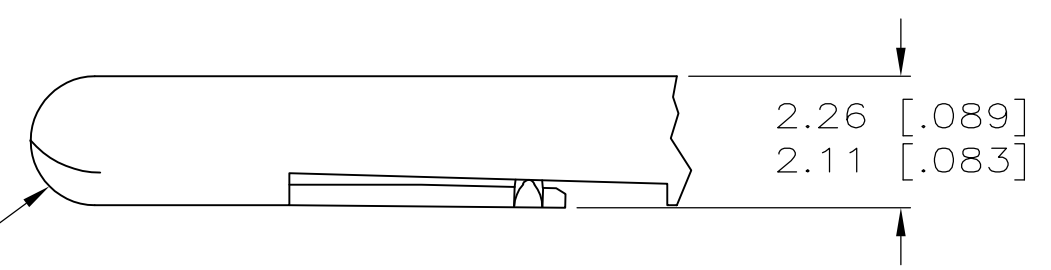
SERRATIONS  
ALTERNATE PATTERN



SECTION B-B



SECTION C-C



NOSE IS CLOSED WITH 0.51 [.020] MAX FLAT.  
 0.25 [.010] MAX HORIZONTAL TAB PERMITTED.  
 0.25 [.010] DIA PIN DOES NOT ENTER.



OBSOLETE 61296-1  
PART NO.

THIS DRAWING IS A CONTROLLED DOCUMENT.		DWN S. HOOVER 08-JAN-2004	TE Connectivity
DIMENSIONS: mm [INCHES]		CHK D. COLEY 08-JAN-2004	
TOLERANCES UNLESS OTHERWISE SPECIFIED:		APVD D. COLEY 08-JAN-2004	NAME
0 PLC ±	1 PLC ±	PRODUCT SPEC	PIN, 2.18 [.086] DIA AUTOMOTIVE MATE-N-LOK™
2 PLC ±	3 PLC ± 0.13 [.005]	APPLICATION SPEC	SIZE CAGE CODE DRAWING NO RESTRICTED TO
4 PLC ±	ANGLES ±	WEIGHT	A2 00779 C-61296
MATERIAL 5 PRE-TIN		CUSTOMER DRAWING	SCALE 8:1 SHEET 1 OF 1 REV G1