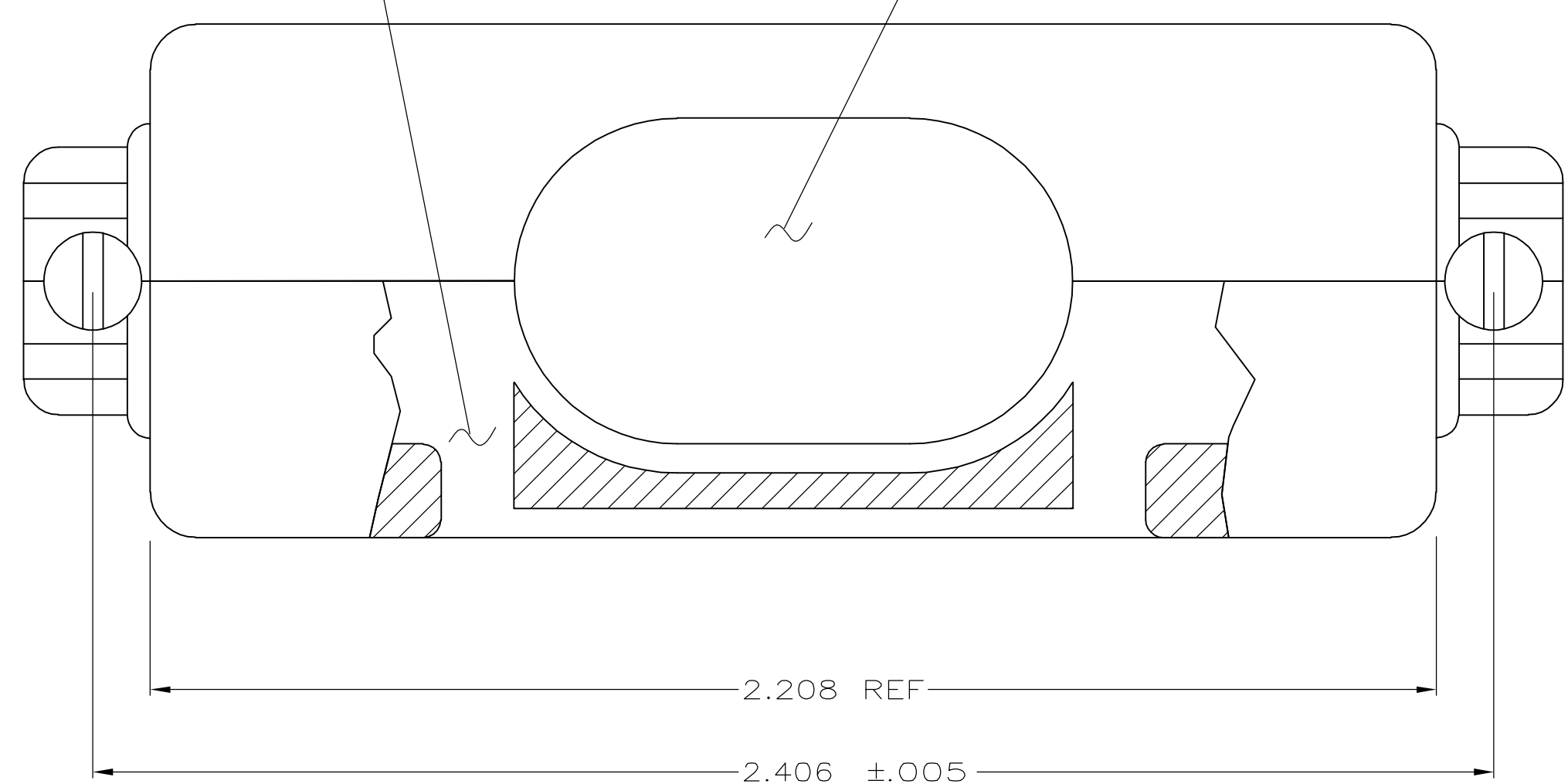
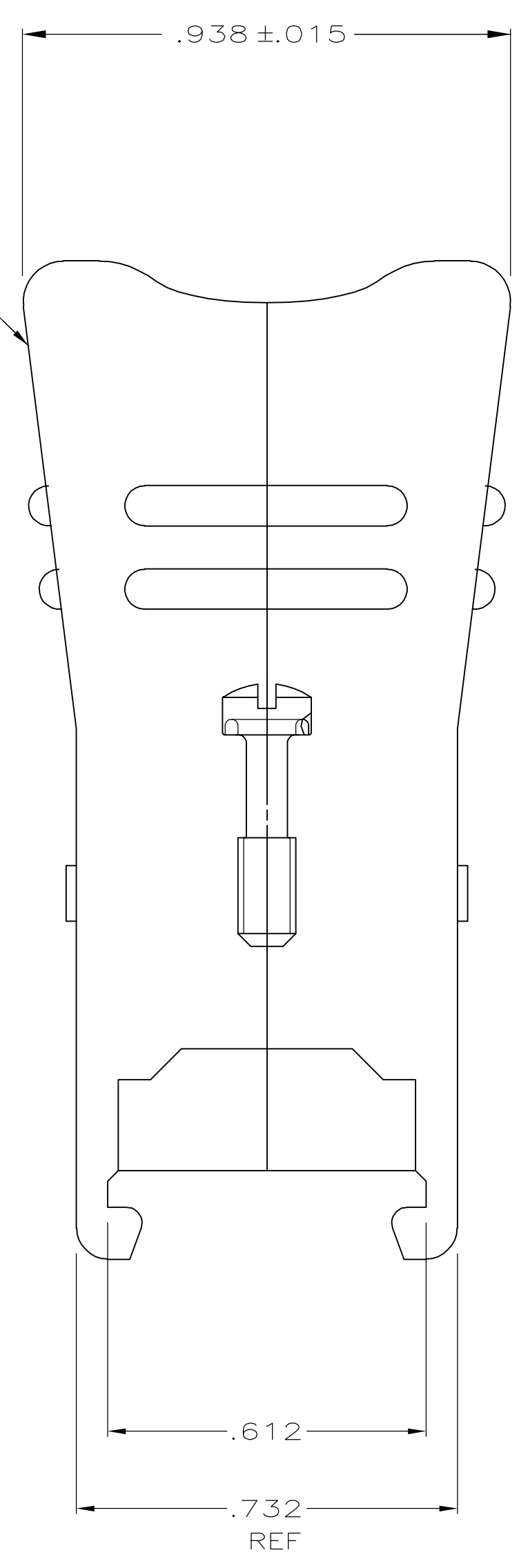


- 1 THIS PART WILL FIT ANY SIZE 5 PLUG OR RECEPTACLE IN THE AMPLIMITE SERIES CONNECTOR.
- 2 ALL PARTS ARE PACKAGED UNASSEMBLED.
- 3 ONE KIT PER POLY BAG.

INTERNAL CABLE TIE OPENINGS
 CABLE OPENING OF .471 SQUARE INCHES=.775 DIA

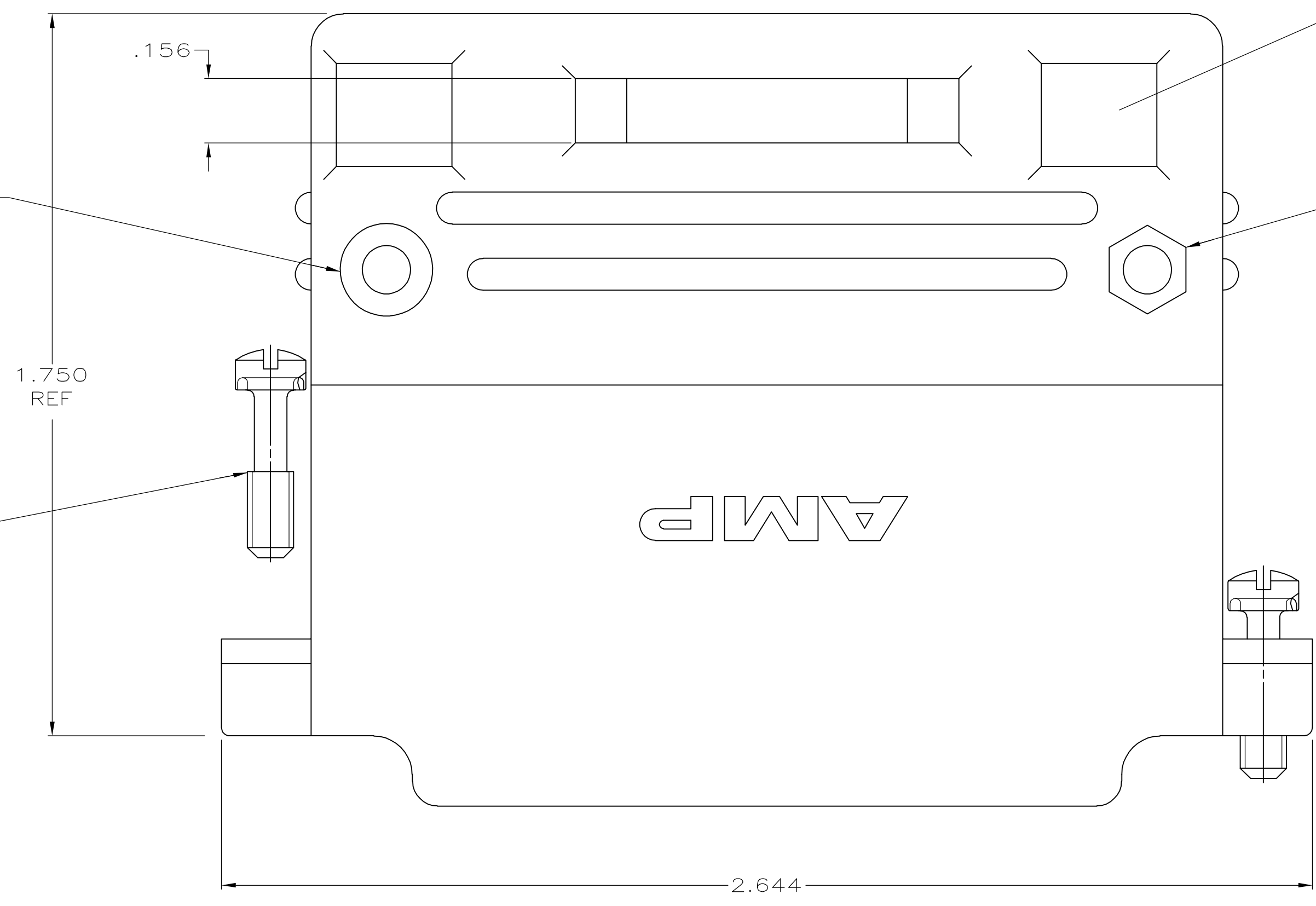


TWO PIECE CABLE SUPPORT HOUSING MATERIAL-THERMOPLASTIC GRAY



#4-40 STEEL SCREW
 ZINC PLATED
 CLEAR CHROMATE COATED
 2 REQUIRED

#4-40 CRS SCREW
 ZINC PLATED
 YELLOW CHROMATE COATED
 2 REQUIRED



EXTERNAL CABLE TIE OPENINGS

#4-40 HEX NUT STEEL
 ZINC PLATED
 CLEAR CHROMATE COATED

PACKAGING	5745082-1
	PART NUMBER

THIS DRAWING IS A CONTROLLED DOCUMENT.		DWN R. RICHARDSON 14SEP05		Tyco Electronics Corporation Harrisburg, PA 17105-3608																				
DIMENSIONS: INCHES		CHK C. ROHDE 14SEP05		APVD M. WALMSLEY 14SEP04	NAME CABLE SUPPORT ASSEMBLY, SIZE 5, 50 POSN, 90 DEGREES/180 DEGREES, AMPLIMITE HD-20																			
TOLERANCES UNLESS OTHERWISE SPECIFIED:		<table border="1"> <tr><td>0 PL</td><td>±</td><td>-</td></tr> <tr><td>1 PL</td><td>±</td><td>-</td></tr> <tr><td>2 PL</td><td>±</td><td>-</td></tr> <tr><td>3 PL</td><td>±</td><td>.010</td></tr> <tr><td>4 PL</td><td>±</td><td>-</td></tr> <tr><td>ANGLES</td><td>±</td><td>-</td></tr> </table>		0 PL	±	-	1 PL	±	-	2 PL	±	-	3 PL	±	.010	4 PL	±	-	ANGLES	±	-	APPLICATION SPEC		RESTRICTED TO
0 PL	±	-																						
1 PL	±	-																						
2 PL	±	-																						
3 PL	±	.010																						
4 PL	±	-																						
ANGLES	±	-																						
MATERIAL SEE CALLOUTS		FINISH SEE CALLOUTS		WEIGHT	SCALE 4:1																			
CUSTOMER DRAWING		A1 00779 C=5745082		SHEET 1 of 1	REV 0																			