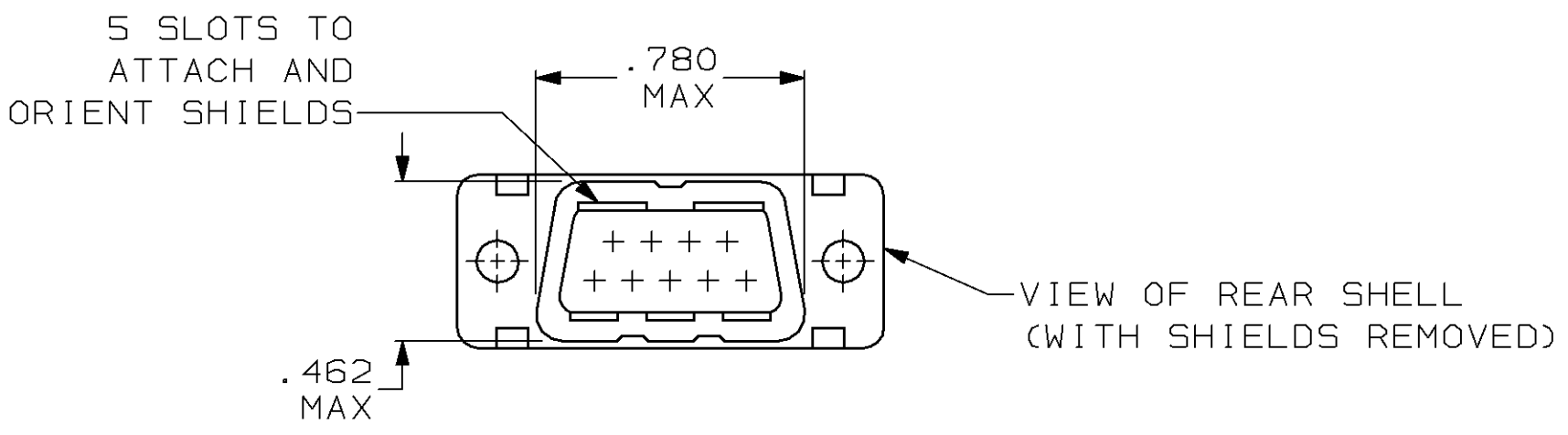
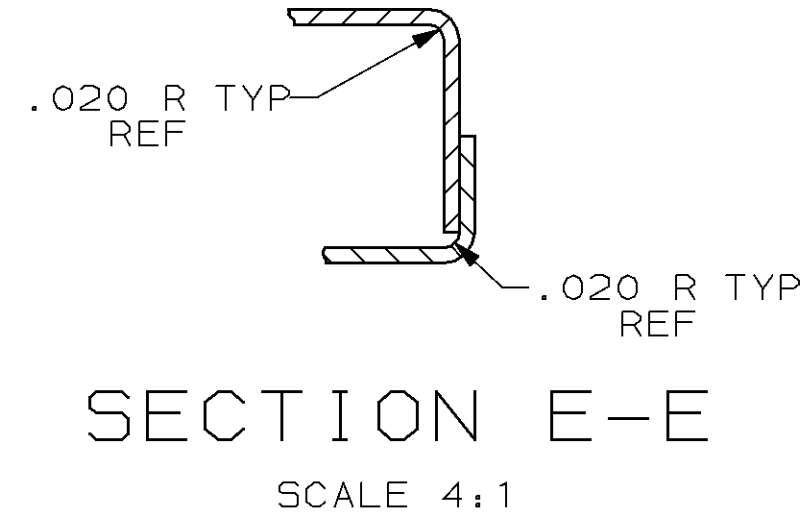
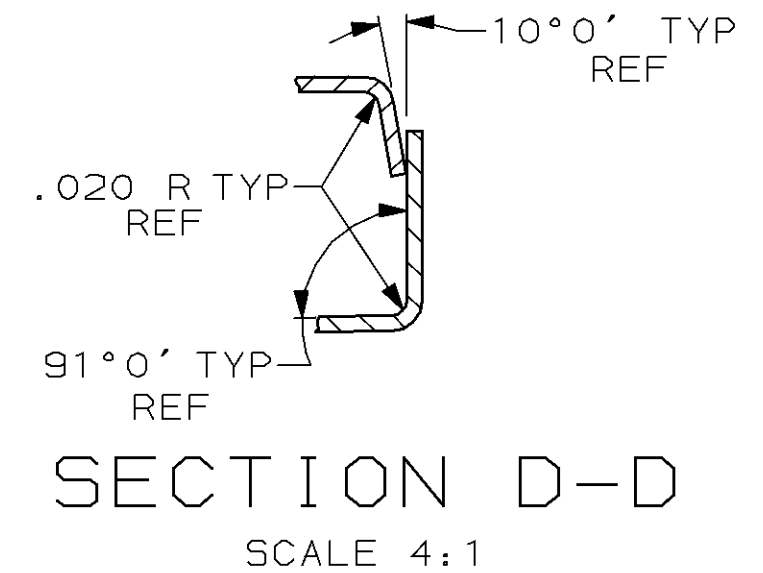
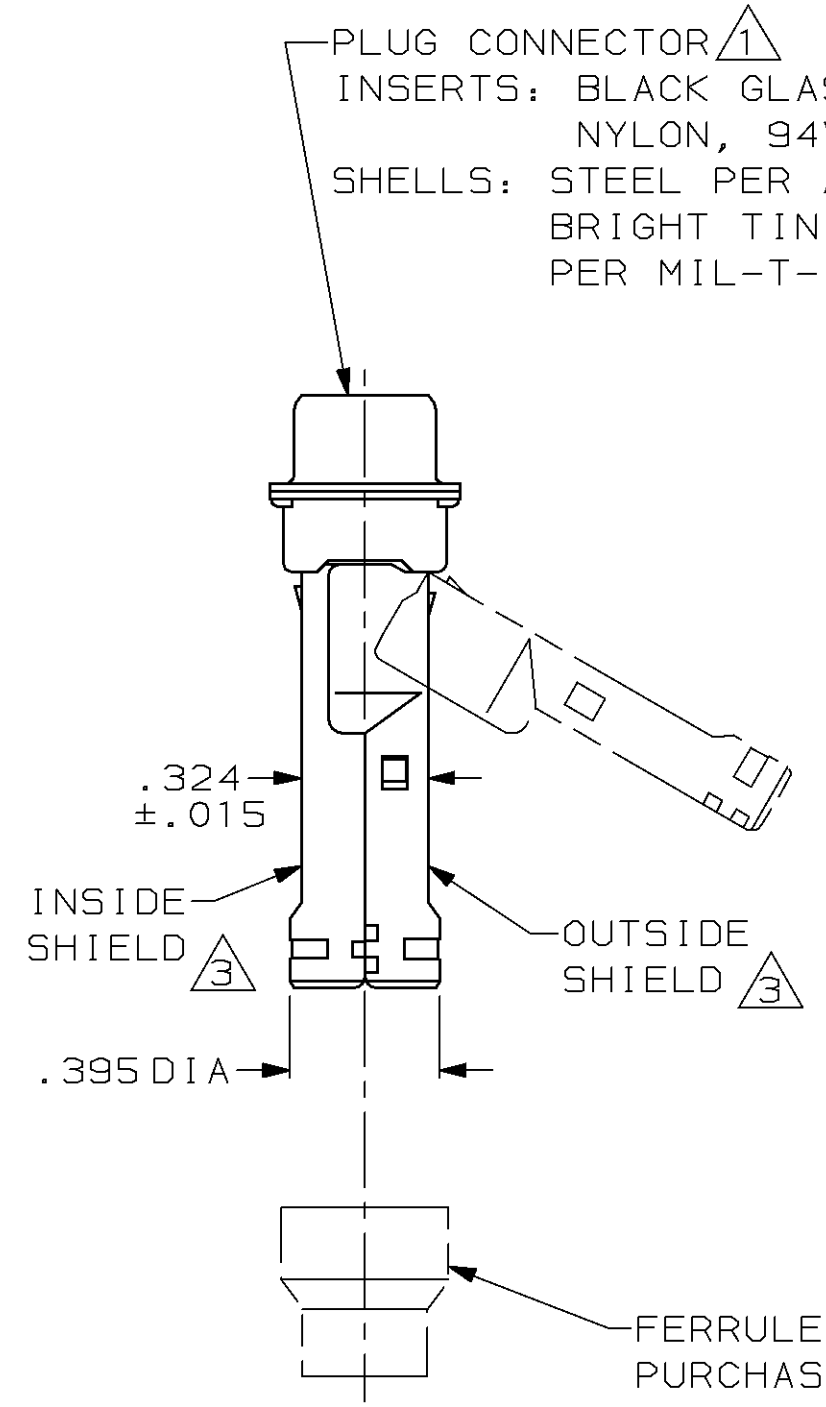
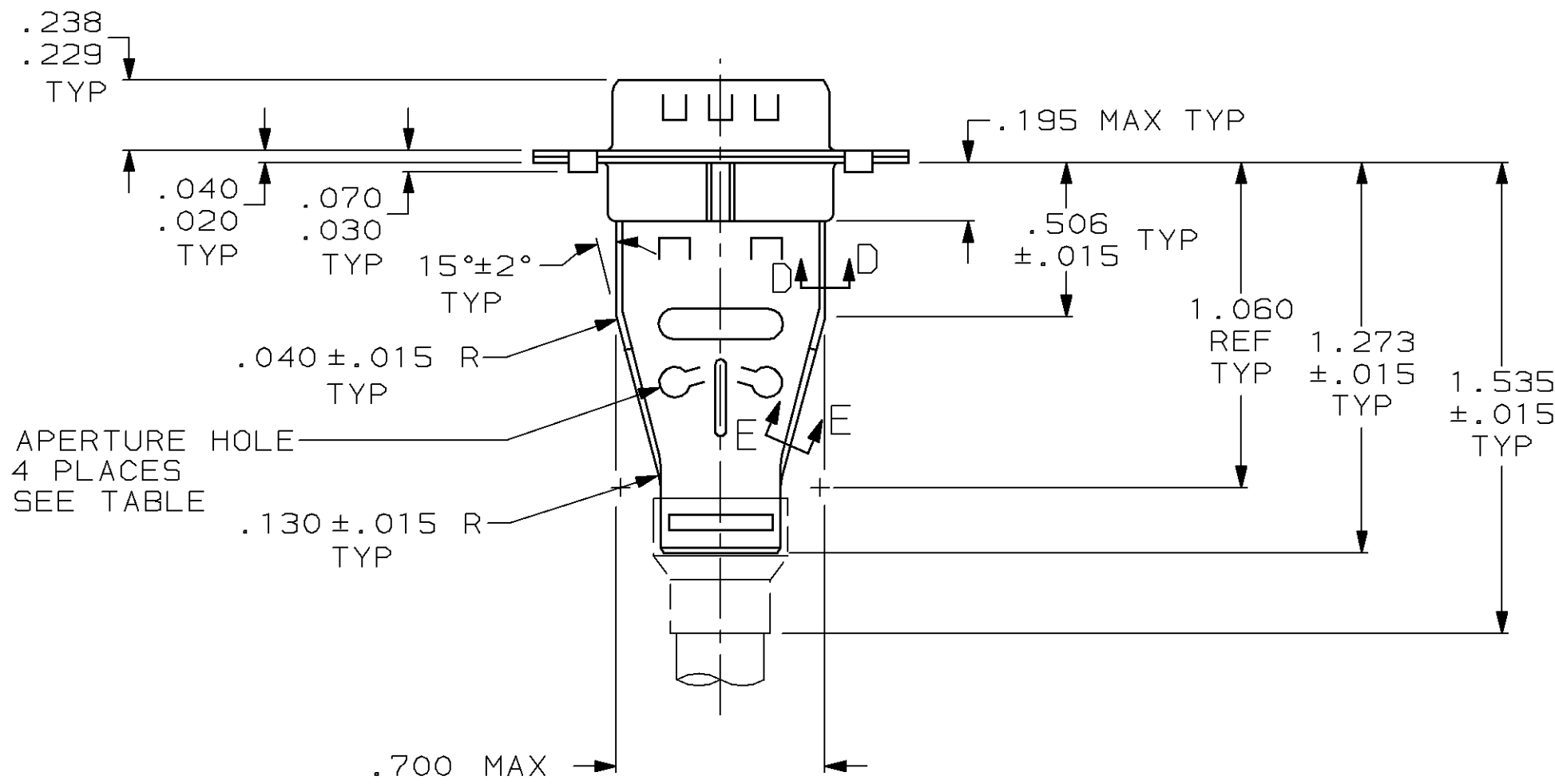
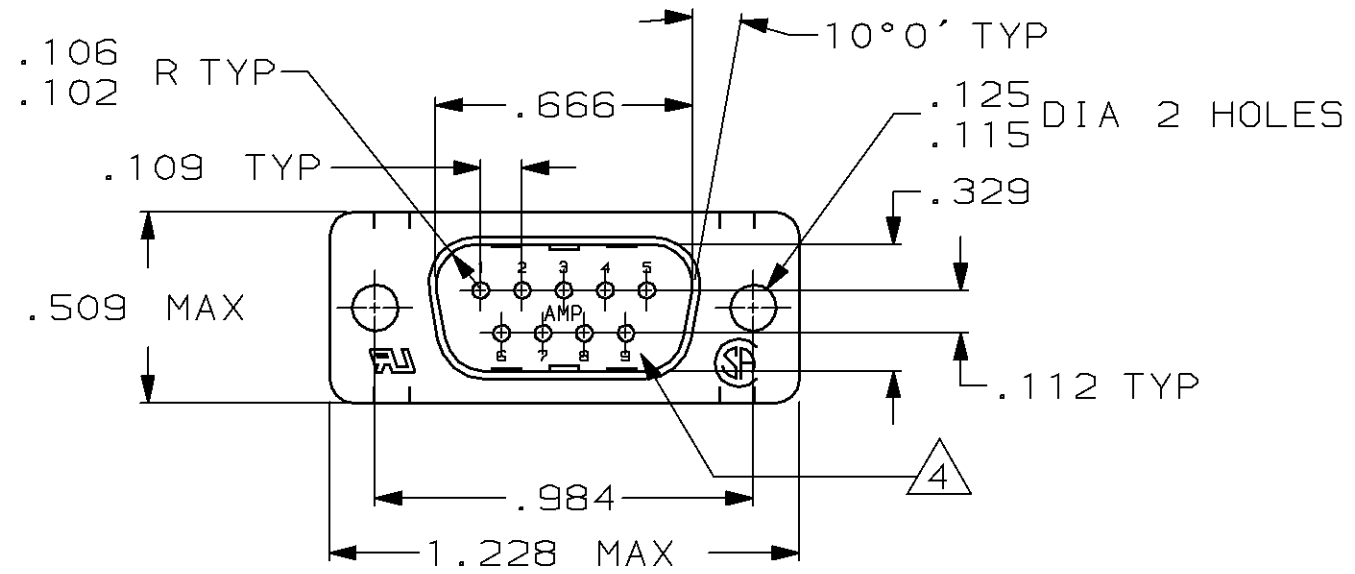


LOC	DIST	P	F	REVISIONS				
				ZONE	LTR	DESCRIPTION	DATE	APPD
BD	48			A		REDRAWN	5-24-90	-
				B		REV PER ECN BD5049	7-2-91	TMS
				C		ADDED -2 NPR3889 WAS 91-5788-2-1	01/02/92	TMS
				D		OBS -2 PER ECN BD5856	01/17/92	TMS
				E		REACTIVATED -2 PER NPR 3975	02/14/92	TMS
				F		ADDED -3 PER NPR 4263	07/10/92	SB
				G		OBS -2, -3 PER EC 0020-724-95	08 MAR 96	JCS



OBSOLETE		5
OBSOLETE	WITHOUT	747522-2
	WITH	747522-1
	APERTURE HOLE	PART NUMBER

- 1 PLUG ACCEPTS SIZE 20 PIN CONTACTS (CONTACTS MUST BE ORDERED SEPARATELY).
- 2. ALL PARTS SHIPPED UNASSEMBLED, EACH PART INDIVIDUALLY BULK PACKED.
- 3 SHIELDS: MATERIAL-.020 THICK STEEL, TIN PLATED PER MIL-T-10727.
- 4 RAISED CAVITY IDENTIFICATION AND AMP TRADEMARK.
- 5 SEE RESTRICTED CUSTOMER DRAWING 747522-3.

DO NOT SCALE PRINT. UNLESS SPECIFIED DIMENSIONS IN INCHES TOLERANCES ON :	DR 5-24-90 J GALLUCCI BG	AMP INCORPORATED Harrisburg, Pa. 17105		
2 PLC DEC ± -	CHK J. McCLINTON 8-31-90			
3 PLC DEC ± .005	APPD B. TAYLOR 9-4-90	NAME KIT, PLUG, SHIELDING HARDWARE, SIZE 1, 9 POSN, HDP-20, AMPLIMITE™		
ANGLES ± 0°30'	APPD J. ASSINI 9-4-90			
MATERIAL	PRODUCT SPEC	SIZE	FSCM NO	DRAWING NO
SEE CALL OUT		C	00779	747522
FINISH	APPLICATION SPEC	SCALE		SHEET
SEE CALL OUT		2:1		1 OF 1
	WEIGHT			