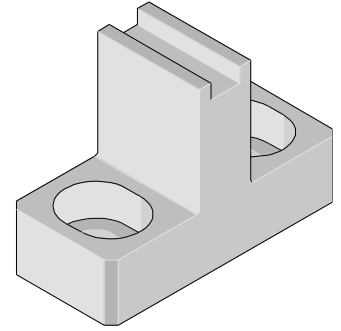




**I-Trac™ Vertical Power Module  
Application Tooling Specification  
Support Tool  
Order No. 62201-8633**



**FEATURES**

- Tool supplied with clearance slot for power module connector terminal tips
- Tool provides uniform support to PCB when power module is pressed in
- Can be placed under the PCB on either side of existing power module with Backplane Header installed
- Used as a stand-alone tool when power module is installed separately.

**SCOPE**

This tool is used only when installing I-Trac™ Vertical Power Modules, to provide PCB support.

Products: I-Trac™ Vertical Power Module Assembly 78227 Series, 7 Row Assemblies. See Product List below for specific part numbers.

**Product List**

The following is a partial list of the product order numbers and their specifications this tool is designed to run. Updates to this list are available on [www.molex.com](http://www.molex.com).

Vertical Power Module Series Number	Row	Assembly Order Number	
78227	7	78227-1001	78227-5001

**Tool Setup**

The I-Trac™ Vertical Power Module Support Tool is placed directly under the PCB board. This is done by placing the support tool under the power module or by moving the PCB over the support tool. The method used will depend on the customer’s application. See Figure 1.

Be certain to orient the support tool properly under the PCB. The slot of the support tool must be directly below the connector terminals that push through the PCB when the Power Module is assembled to the board. See Figure 2.

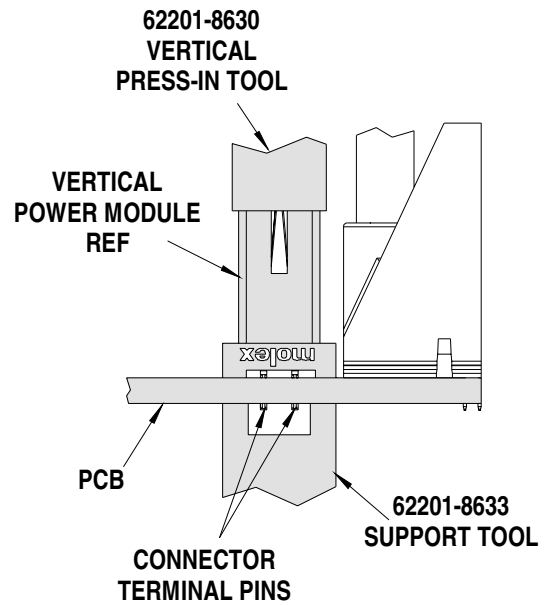
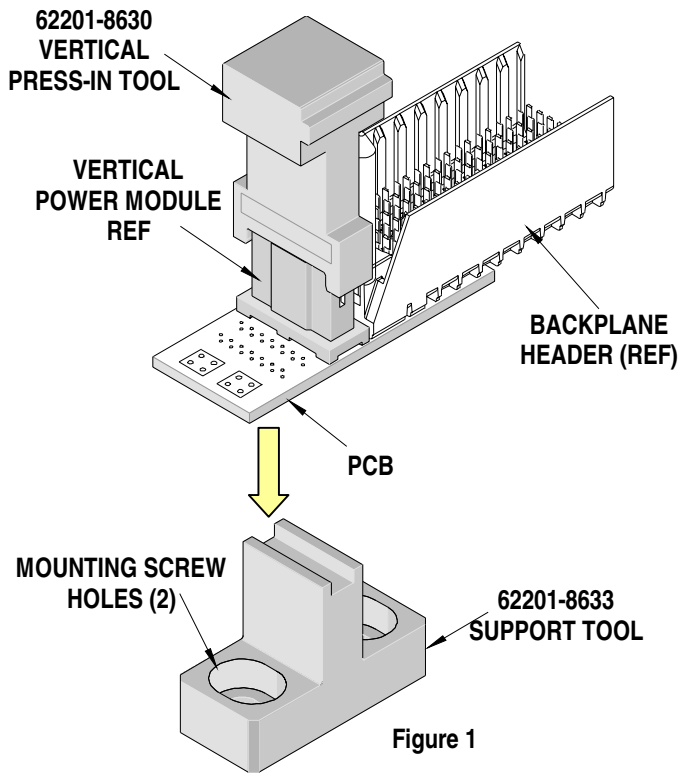


Figure 2  
(From Side View)

### Tool Installation

The Support Tool can be a stand-alone tool shown in Figure 3 or placed in a fixed position shown in Figure 2.

The Support Tool may be held in place with 4mm socket head cap screws (not included).

Reference: The 62201-8633- Support Tool is 23.0mm (0.91 in.) high and 14mm (0.56 in.) long.

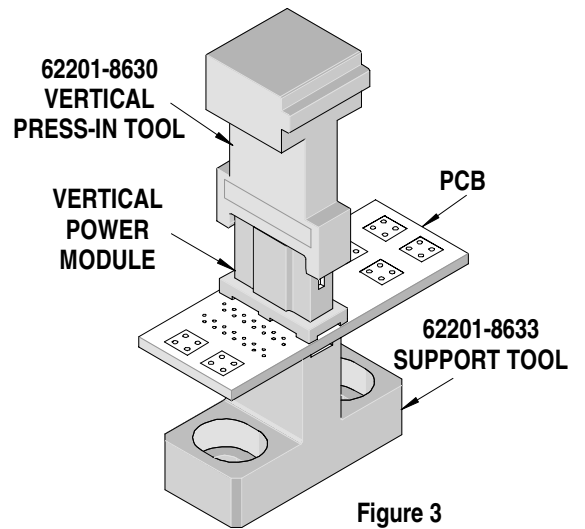


Figure 3  
STAND-ALONE

## Press Equipment Recommendations

Many types of presses can be used to install I-Trac™ connectors, but to assure consistent connector installation Molex recommends the following press criteria:

1. The capability to detect force variations as low as 4.5kg (10 lb) during the press-in cycle; excessive force measurements should stop the press-in cycle.
2. The rate of pressing can be regulated as low as 0.13mm (0.005 in) per second.
3. Press stroke control to within 0.25mm (0.010 in).
4. Total press stroke must be at least 19mm (0.75 in).
5. For statistical purposes, automatic collection of force and distance data.

**CAUTION:** To prevent injury, never operate any press without the guards in place. Refer to the press manufacturer's instruction manual.

**CAUTION:** Molex application tooling specifications are valid only when used with Molex connectors and tooling.

## Contact Information

For more information on Molex application tooling please contact Molex at 1-800-786-6539.

**Americas Headquarters**  
Lisle, Illinois 60532 U.S.A.  
1-800-78MOLEX  
amerinfo@molex.com

**Far East North Headquarters**  
Yamato, Kanagawa, Japan  
81-462-65-2324  
feninfo@molex.com

**Far East South Headquarters**  
Jurong, Singapore  
65-6-268-6868  
fesinfo@molex.com

**European Headquarters**  
Munich, Germany  
49-89-413092-0  
eurinfo@molex.com

**Corporate Headquarters**  
2222 Wellington Ct.  
Lisle, IL 60532 U.S.A.  
630-969-4550  
Fax: 630-969-1352

Visit our Web site at <http://www.molex.com>