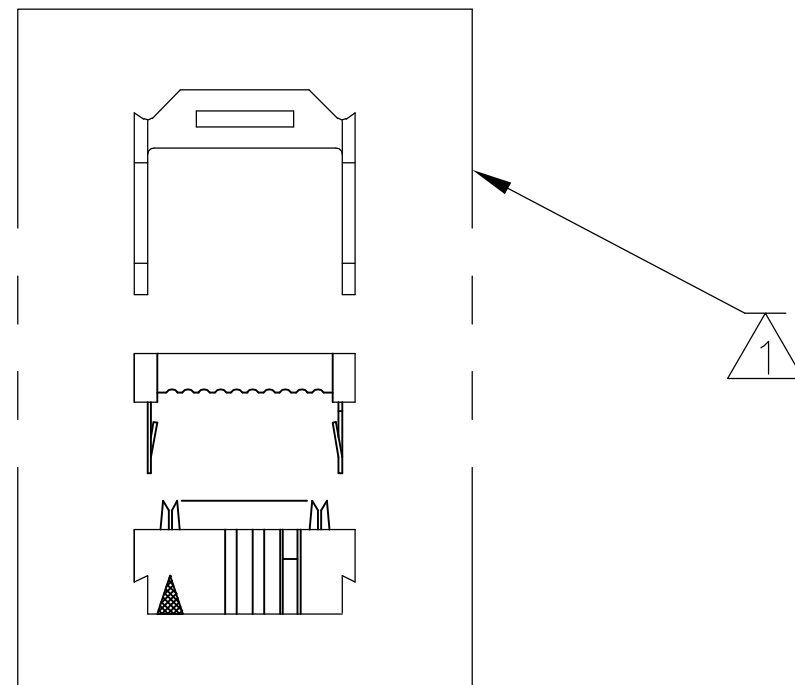
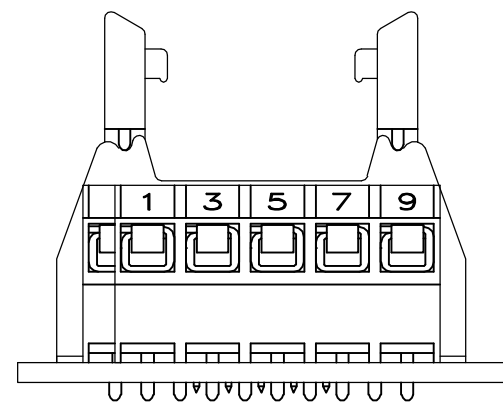
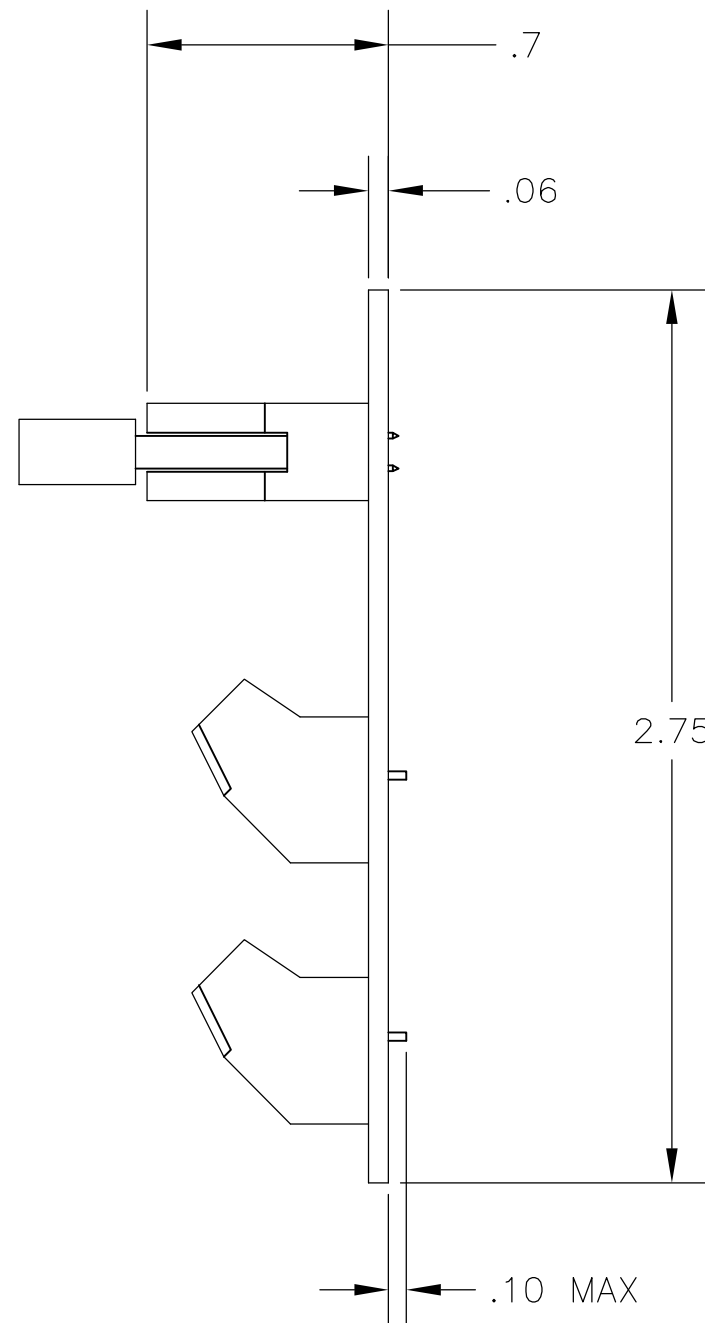
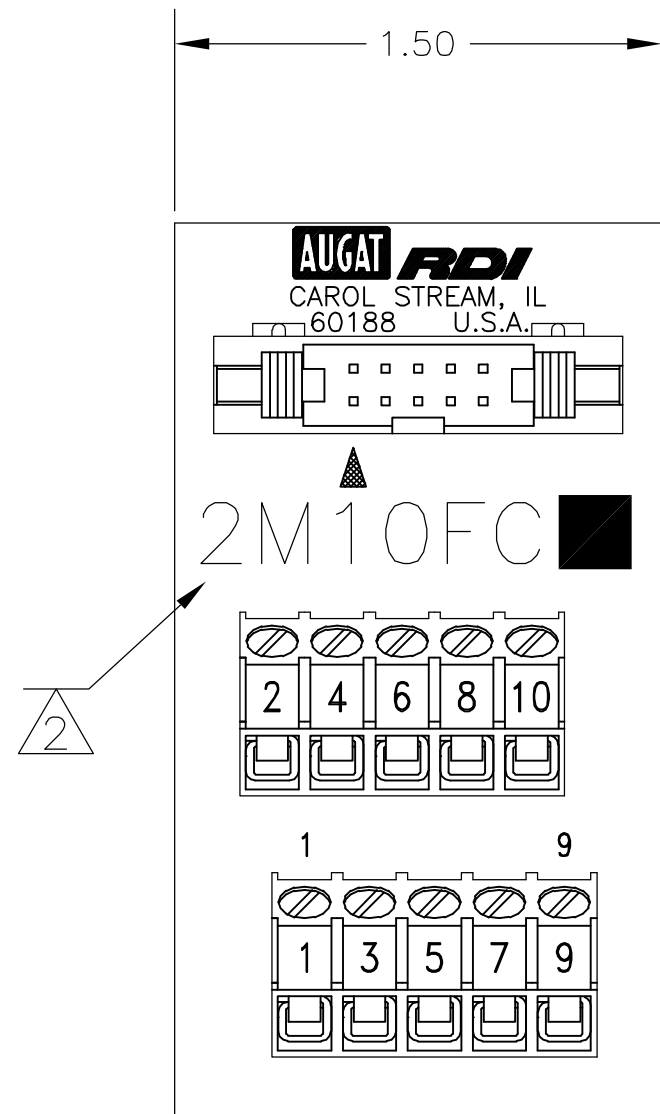


THIS DRAWING IS UNPUBLISHED. RELEASED FOR PUBLICATION
 © COPYRIGHT BY TYCO ELECTRONICS CORPORATION. ALL RIGHTS RESERVED.

LOC	DIST	REVISIONS					
		P	LTR	DESCRIPTION	DATE	DWN	APVD
FT	0	A		REVISED PER ECO-05-10413	9/30/05	SS	SRY



HEADER:
MATERIALS:
 HEADER: COPPER ALLOY, GOLD PLATED, 94V-0 THERMOPLASTIC.
 CONNECTOR: COPPER ALLOY, GOLD PLATED, 94V-0 THERMOPLASTIC.

ELECTRICAL:
 RATING: 1 AMPERE MAX. (CONNECTOR).

MECHANICAL:
 WIRE RANGE: 26-30 AWG SOLID, 28 AWG STRANDED.

TERMINAL BLOCK:
MATERIALS:
 HOUSING: THERMOPLASTIC NYLON, BLACK, 94V-0.
 TERMINALS: COPPER ALLOY, TIN PLATED.
 SCREWS: 3M, BRASS, NICKEL PLATED

ELECTRICAL:
 RATING: 10A, 300V(UL).

MECHANICAL:
 WIRE RANGE: 14-22 AWG.

MOUNTING:
MATERIALS:
 MOUNTING: 2TK2 AND 2TK2D SERIES SNAPTRACK, (SOLD SEPARATELY).

- ① ALL CONNECTOR/STRAIN RELIEF COMPONENTS TO BE SHIPPER LOOSE AND UNASSEMBLED.
- ② CATALOG NUMBER MARKED HERE.
- ③ CONTAINS NO TIN-LEAD PLATING.

③	2M10FCL	1776615-1
	2M10FC	1437684-5
	CATALOG NO.	PART NUMBER
Tyco Electronics Corporation Harrisburg, PA 17105-3608		
NAME: 2M10FC ASSEMBLY		
SIZE	CAGE CODE	DRAWING NO
A2	00779	C=1437684-5
CUSTOMER DRAWING		RESTRICTED TO
SCALE	SHEET	REV
NTS	1 of 1	A

THIS DRAWING IS A CONTROLLED DOCUMENT.		DWN	M.S. FEHER	31 MAR 2004
DIMENSIONS: INCHES		CHK	S. YODER	31 MAR 2004
TOLERANCES UNLESS OTHERWISE SPECIFIED:		APVD	S. YODER	31 MAR 2004
0 PLC	± -	PRODUCT SPEC		
1 PLC	± .1	APPLICATION SPEC		
2 PLC	± .01	WEIGHT		-
3 PLC	± -	MATERIAL		-
4 PLC	± -	FINISH		-
ANGLES	± -	CUSTOMER DRAWING		