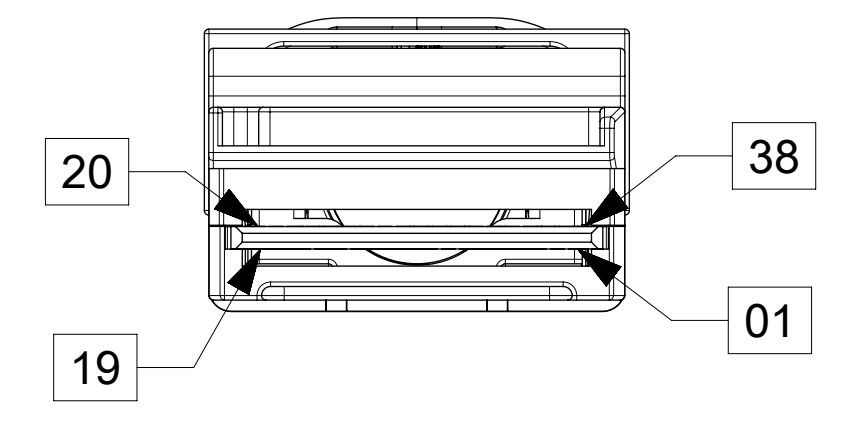
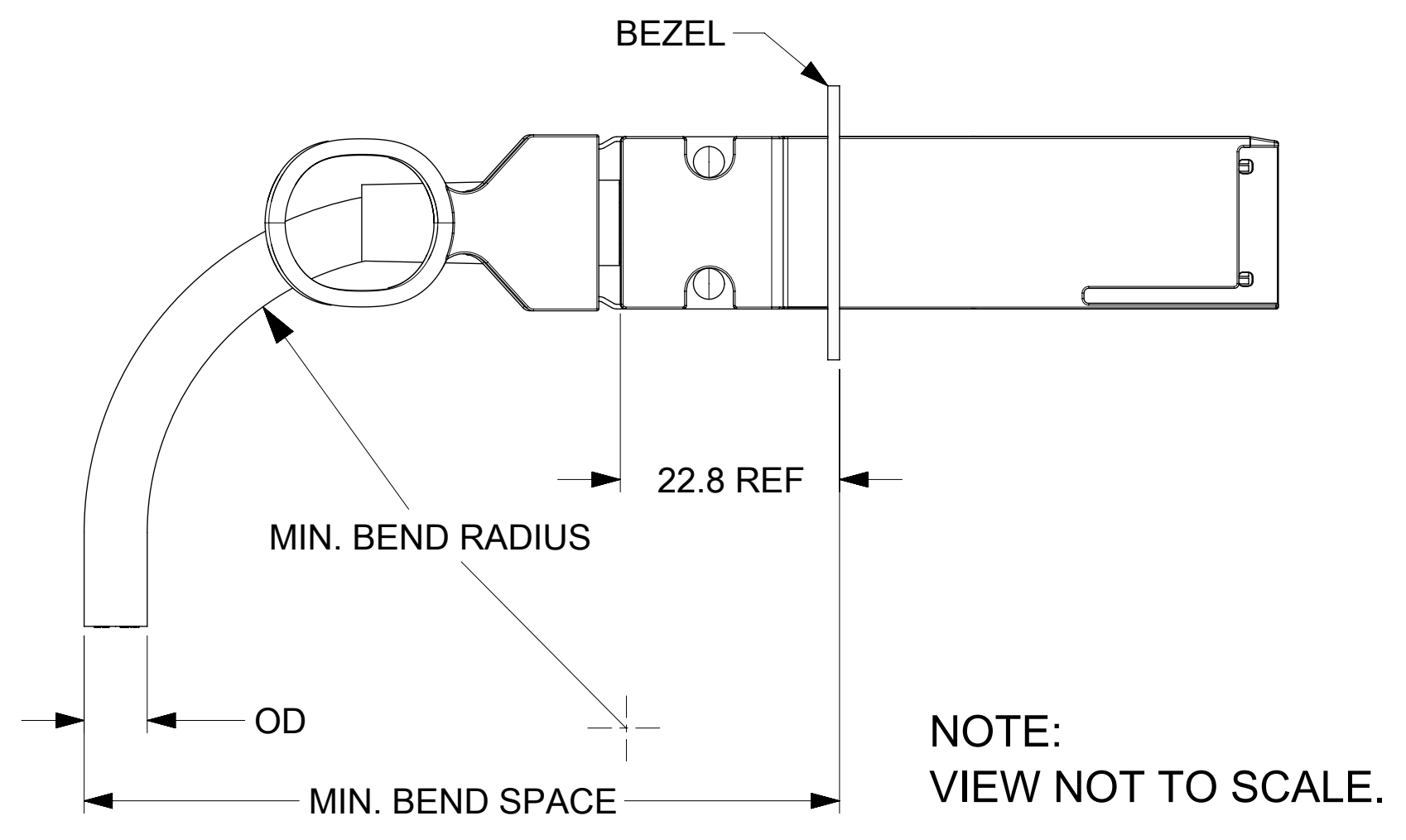


- NOTES:**
- CABLE LENGTH DEPENDS ON WIRE GAUGE, DATA RATE, AND HOST BOARD DRIVER CAPABILITIES
 - MATERIALS:
 - BACKSHELLS - ZINC DIE CAST WITH BRIGHT NICKEL PLATING
 - DELATCH - STAINLESS STEEL WITH OVERMOLDED NYLON
 - RIVETS - STAINLESS STEEL
 - IMPEDANCE - 100 OHMS DIFFERENTIAL
 - CABLE IS UL RECOGNIZED (TBD)
 - EEPROM MAP AVAILABLE UPON REQUEST
 - RoHS COMPLIANT, NO EXEMPTIONS

| | | | | | |
|---|---|--|--|--------------------------|-----------------|
| FUNCTIONAL SYMBOLS $F_A = 0$ $F_C = 0$ $F_P = 0$ DIVISIONAL SYMBOLS | THIS DRAWING CONTAINS INFORMATION THAT IS PROPRIETARY TO MOLEX ELECTRONIC TECHNOLOGIES, LLC AND SHOULD NOT BE USED WITHOUT WRITTEN PERMISSION | | CURRENT REV DESC: SHT 4 ZONE F11 : TEXT P1 REMOVED FROM LEG ID LABEL | | |
| | DIMENSION UNITS | SCALE | EC NO: 713211 | | |
| | mm | 1:1 | DRWN: KIRANG5 | 2022/07/01 | |
| | GENERAL TOLERANCES (UNLESS SPECIFIED) | | CHK'D: ADITHK | 2022/07/06 | |
| ANGULAR TOL ± 5.0° | | APPR: SCHANNARAYAN | 2022/07/06 | PRODUCT CUSTOMER DRAWING | |
| 4 PLACES ± | | INITIAL REVISION: | DRWN: SRATKOVIC | | DOCUMENT NUMBER |
| 3 PLACES ± | | DRWN: SRATKOVIC | 2016/12/01 | 2033660001 | |
| 2 PLACES ± 0.13 | | APPR: ADTUCKER | 2017/10/17 | DOC TYPE | DOC PART |
| 1 PLACE ± 0.25 | | DRAFT WHERE APPLICABLE MUST REMAIN WITHIN DIMENSIONS | | PSD | 000 |
| 0 PLACES ± | | THIRD ANGLE PROJECTION | DRAWING | SERIES | REVISION |
| | | | D-SIZE | 203366 | M |
| | | | MATERIAL NUMBER | CUSTOMER | SHEET NUMBER |
| | | | SEE P/N TABLE | GENERAL MARKET | 1 OF 4 |

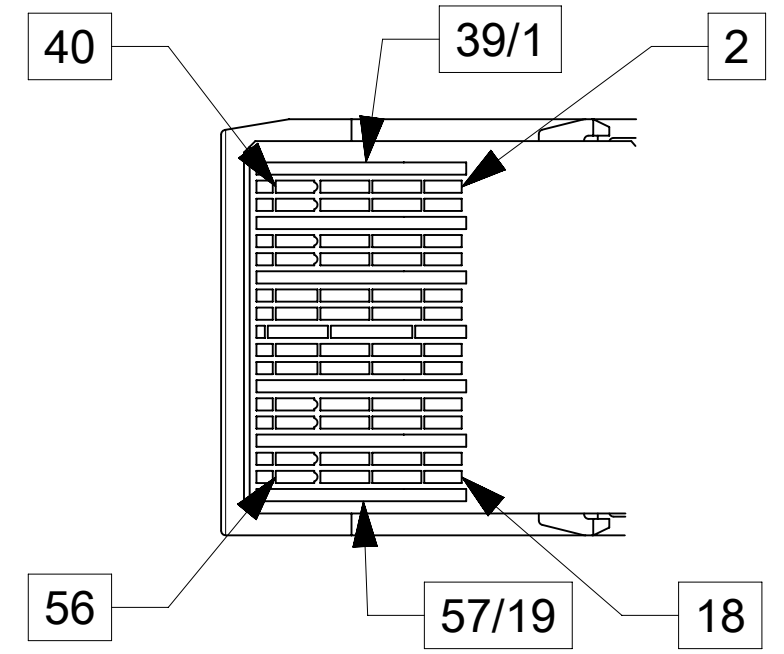
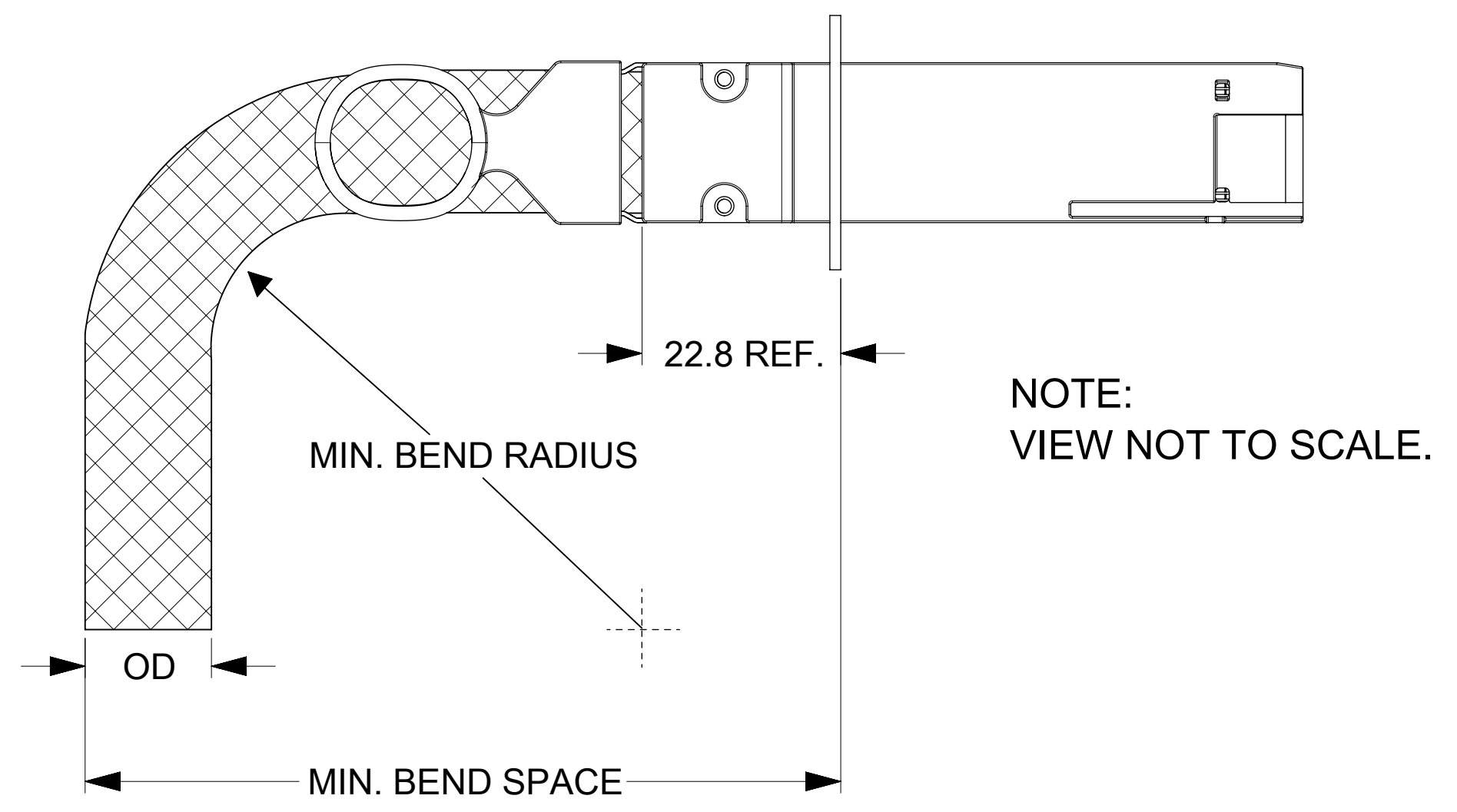
| | | | | |
|-----------------|----|--------------|------------|----------|
| DOCUMENT STATUS | P1 | RELEASE DATE | 2022/07/06 | 14:30:50 |
|-----------------|----|--------------|------------|----------|

zQSFP+ CABLE BEND RADIUS

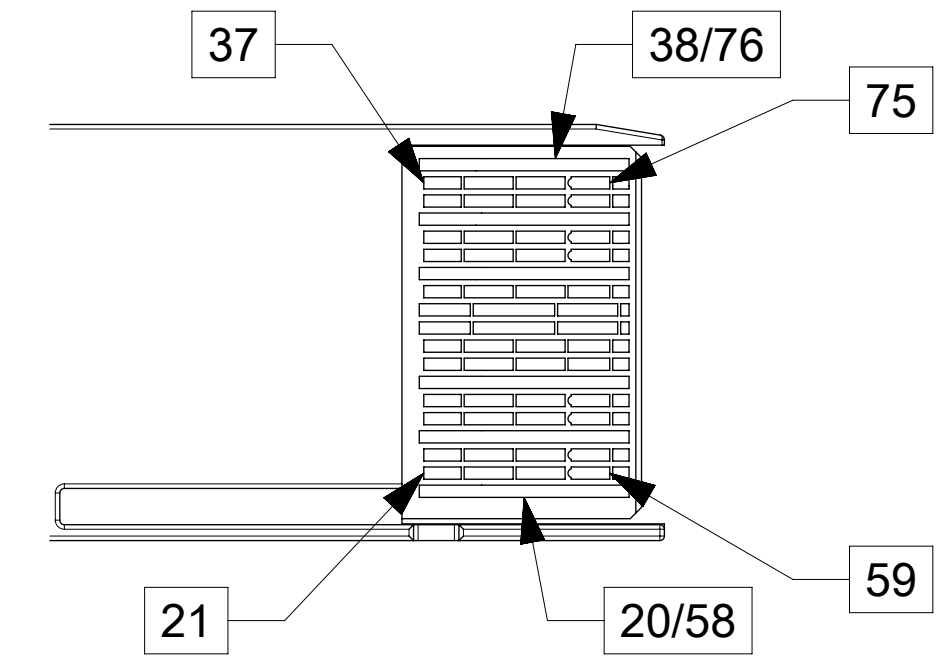


| CABLE AWG | OD (mm) | MIN BEND RADIUS (mm) | MIN BEND SPACE (mm) |
|-----------|---------|----------------------|---------------------|
| 26 | 9.0 | 45 | 77 |
| 28 | 7.9 | 40 | 71 |
| 30 | 6.7 | 34 | 64 |

QSFP-DD CABLE BEND RADIUS

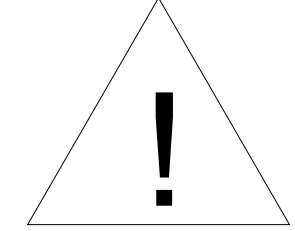


BOTTOM VIEW



TOP VIEW

| CABLE AWG | OD (mm) | MIN BEND RADIUS (mm) | MIN BEND SPACE (mm) |
|-----------|---------|----------------------|---------------------|
| 26 | (13) | (65) | (101) |
| 28 | (11) | (55) | (89) |
| 30 | (9.4) | (47) | (79) |

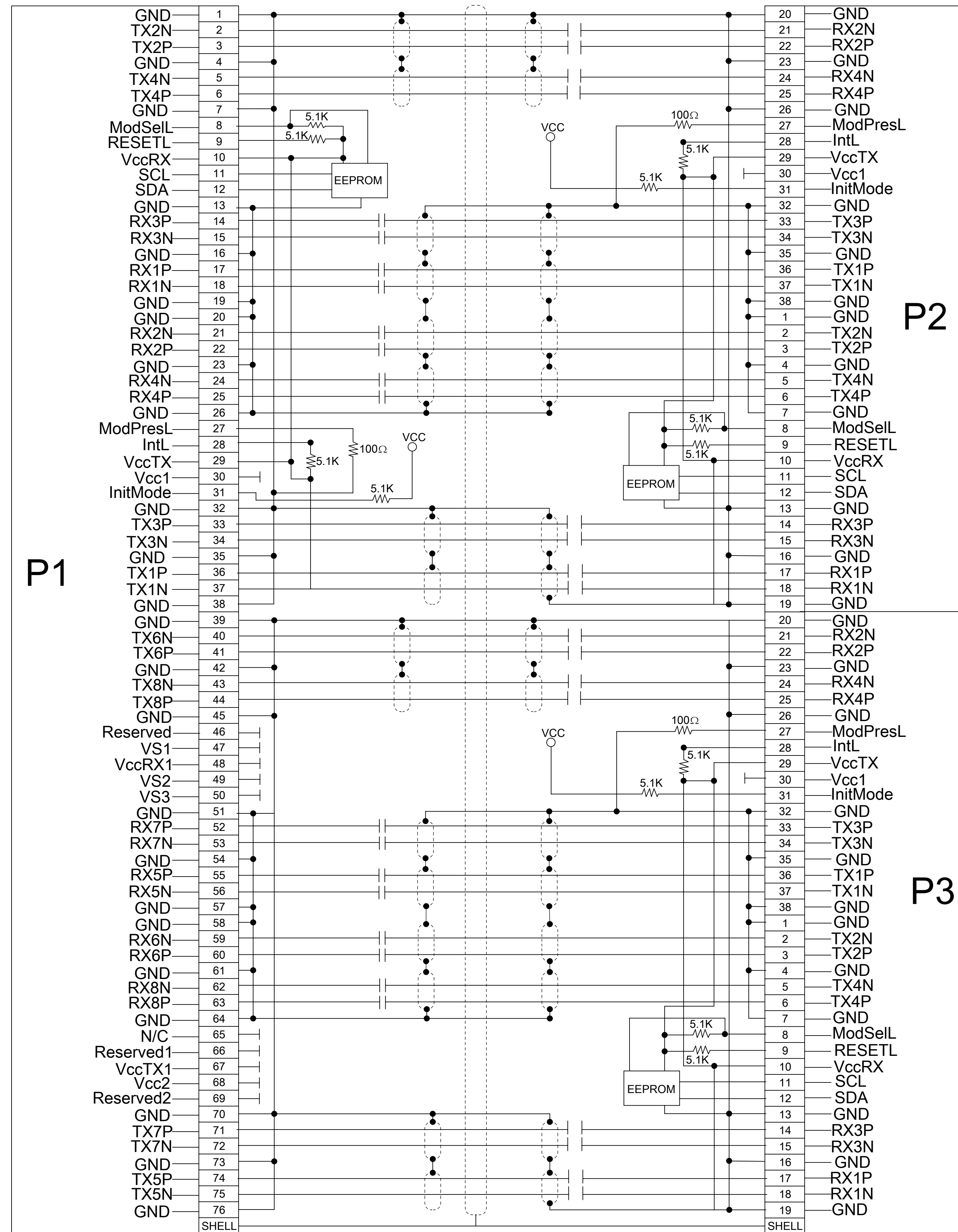


MINIMUM BEND RADIUS PENDING QUALIFICATION. NUMBERS ABOVE ARE ESTIMATES AND SUBJECT TO CHANGE.

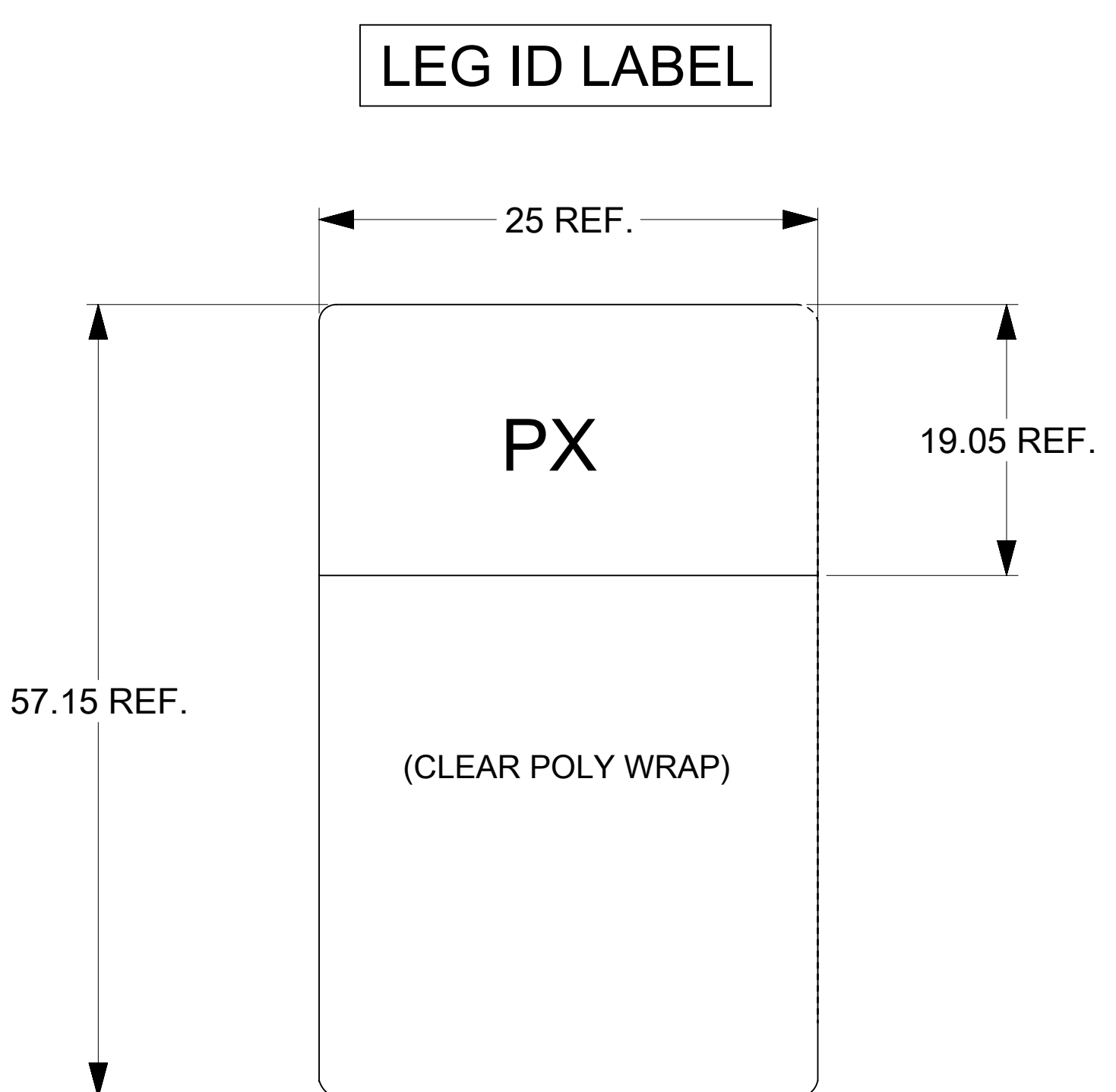
- NOTES:**
- DC BLOCKING CAPS ON RECEIVE SIDE ONLY
 - CABLE COILED AND PACKAGED IN BEST FIT ESD BAG AND SEALED WITH ESD LABEL FOR SHIPPING

| | | | | | | | | | | | | | | |
|--|---|--|---|--|--|--|-----------------------|--|------------------------------------|--|--|--|-----------------------------|--|
| FUNCTIONAL SYMBOLS FA = 0 FC = 0 FP = 0 DIVISIONAL SYMBOLS | THIS DRAWING CONTAINS INFORMATION THAT IS PROPRIETARY TO MOLEX ELECTRONIC TECHNOLOGIES, LLC AND SHOULD NOT BE USED WITHOUT WRITTEN PERMISSION | | DIMENSION UNITS: mm SCALE: 1:1 | | CURRENT REV DESC: SHT 4 ZONE F11 : TEXT P1 REMOVED FROM LEG ID LABEL | | | | | | | | | |
| | GENERAL TOLERANCES (UNLESS SPECIFIED) | | ANGULAR TOL ± 5.0° | | EC NO: 713211 DRWN: KIRANG5 2022/07/01 CHK'D: ADITHK 2022/07/06 APPR: SCHANNARAYAN 2022/07/06 | | | | | | QSFP-DD TO 2-ZQSFP+ 56G CABLE ASSEMBLY | | | |
| | 4 PLACES ± | | 3 PLACES ± | | 2 PLACES ± 0.13 | | 1 PLACE ± 0.25 | | 0 PLACES ± | | INITIAL REVISION: DRWN: SRATKOVIC 2016/12/01 APPR: ADTUCKER 2017/10/17 | | | |
| | DRAFT WHERE APPLICABLE MUST REMAIN WITHIN DIMENSIONS | | THIRD ANGLE PROJECTION | | DRAWING: D-SIZE | | SERIES: 203366 | | MATERIAL NUMBER: 2033660001 | | CUSTOMER: GENERAL MARKET | | SHEET NUMBER: 2 OF 4 | |

WIRING DIAGRAM



| | | | |
|---|---|------------------------|--|
| FUNCTIONAL SYMBOLS | THIS DRAWING CONTAINS INFORMATION THAT IS PROPRIETARY TO MOLEX ELECTRONIC TECHNOLOGIES, LLC AND SHOULD NOT BE USED WITHOUT WRITTEN PERMISSION | | |
| | DIMENSION UNITS | SCALE | CURRENT REV DESC: SHT 4 ZONE F11 : TEXT P1 REMOVED FROM LEG ID LABEL |
| $F_A = 0$ | mm | 1:1 | <p>molex</p> <p>QSFP-DD TO 2-ZQSFP+ 56G CABLE ASSEMBLY</p> <p>PRODUCT CUSTOMER DRAWING</p> <p>DOCUMENT NUMBER: 2033660001 DOC TYPE: PSD DOC PART: 000 REVISION: M</p> <p>MATERIAL NUMBER: SEE P/N TABLE CUSTOMER: GENERAL MARKET SHEET NUMBER: 3 OF 4</p> |
| $F_C = 0$ | GENERAL TOLERANCES (UNLESS SPECIFIED) | | |
| $F_P = 0$ | ANGULAR TOL ± 5.0° | | |
| DIVISIONAL SYMBOLS | 4 PLACES | ± | |
| | 3 PLACES | ± | |
| | 2 PLACES | ± 0.13 | |
| | 1 PLACE | ± 0.25 | |
| | 0 PLACES | ± | |
| DRAFT WHERE APPLICABLE MUST REMAIN WITHIN DIMENSIONS | | THIRD ANGLE PROJECTION | <p>EC NO: 713211</p> <p>DRWN: KIRANG5 2022/07/01</p> <p>CHK'D: ADITHK 2022/07/06</p> <p>APPR: SCHANNARAYAN 2022/07/06</p> <p>INITIAL REVISION:</p> <p>DRWN: SRATKOVIC 2016/12/01</p> <p>APPR: ADTUCKER 2017/10/17</p> |
| DRAWING | | SERIES | |
| D-SIZE | | 203366 | |



| MOLEX P/N | LENGTH (M) | AWG |
|------------|----------------|-----|
| 2033661005 | 0.5M +/- 0.05M | 30 |
| 2033661010 | 1.0M +/- 0.05M | 30 |
| 2033661015 | 1.5M +/- 0.08M | 30 |
| 2033661020 | 2.0M +/- 0.08M | 30 |
| 2033663005 | 0.5M +/- 0.05M | 28 |
| 2033663010 | 1.0M +/- 0.05M | 28 |
| 2033663015 | 1.5M +/- 0.08M | 28 |
| 2033663020 | 2.0M +/- 0.08M | 28 |
| 2033663025 | 2.5M +/- 0.08M | 28 |
| 2033663030 | 3.0M +/- 0.08M | 26 |

*LENGTHS UNDER 1.0M MAY NOT MEET ALL IEEE802.3cd SPEC

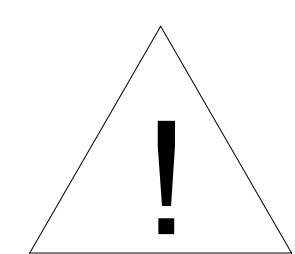
P/N: 203366XXXX - MOLEX PART NUMBER (SEE P/N TABLE)

X.XM - CABLE LENGTH IN METERS (EXAMPLES - 0.5M, 1.0M, 1.5M)

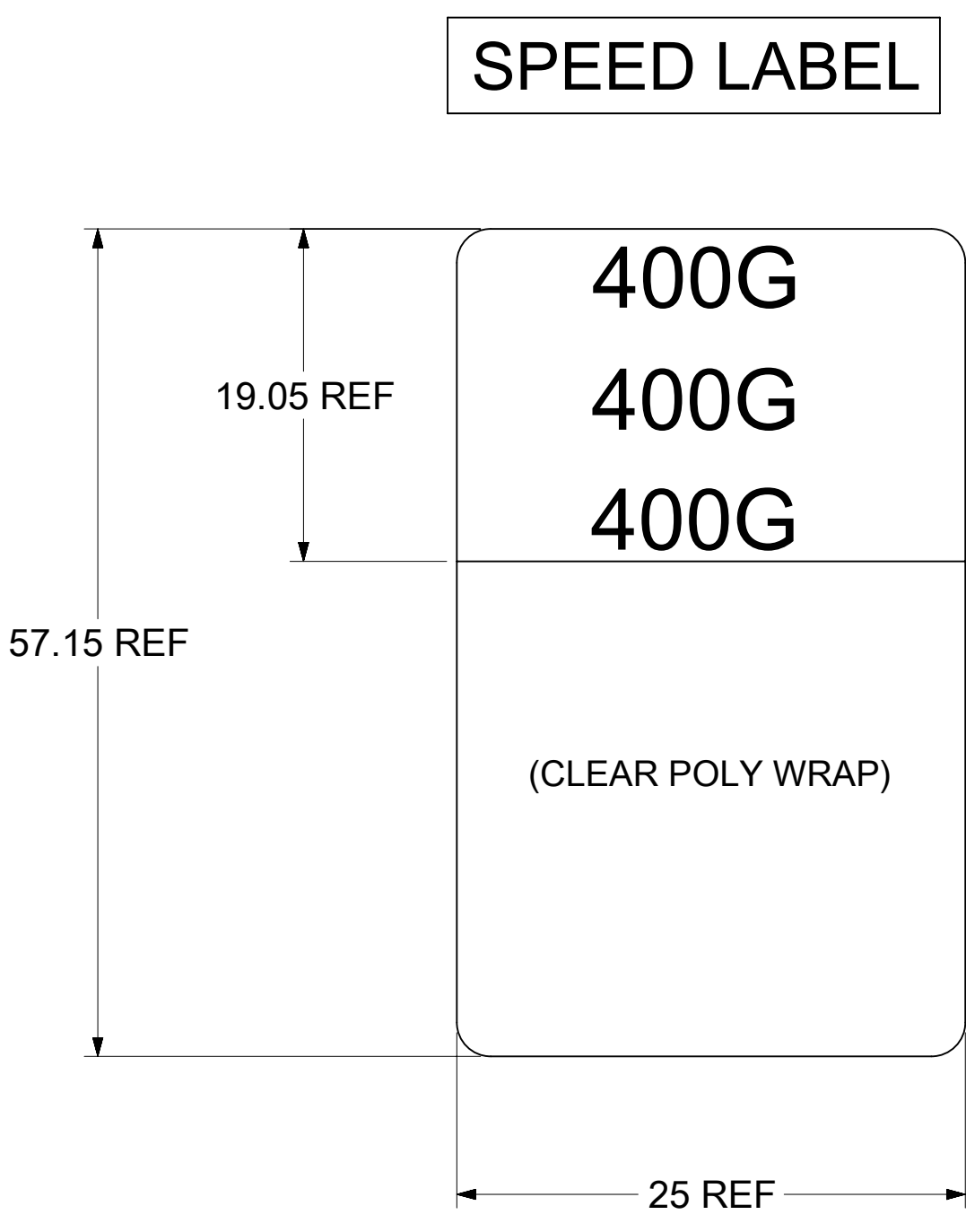
XXAWG - CABLE SIZE IN AWG

S/N: YYDDDLSSSS - SERIAL NUMBER
 YY = YEAR, THE LAST 2 DIGITS OF YEAR
 DDD = DAY OF THE YEAR
 L = LOCATION
 1 - USA
 2 - MEXICO
 3 - CHINA
 4 - PHILIPPINES
 SSSS = SERIAL NUMBER (0001-9999)

PX: P2 OR P3



TENTATIVE PROPOSAL
PENDING ELECTRICAL QUALIFICATION



| | | | | | |
|--|---|---|---|------------------------------|---|
| FUNCTIONAL SYMBOLS FA = 0 FC = 0 FP = 0 DIVISIONAL SYMBOLS | THIS DRAWING CONTAINS INFORMATION THAT IS PROPRIETARY TO MOLEX ELECTRONIC TECHNOLOGIES, LLC AND SHOULD NOT BE USED WITHOUT WRITTEN PERMISSION | | CURRENT REV DESC: SHT 4 ZONE F11 : TEXT P1 REMOVED FROM LEG ID LABEL | | |
| | DIMENSION UNITS | SCALE | GENERAL TOLERANCES (UNLESS SPECIFIED) | | |
| | mm | 1:1 | ANGULAR TOL ± 5.0° | | |
| | 4 PLACES ± | | 3 PLACES ± | | |
| 3 PLACES ± | | 2 PLACES ± 0.13 | | EC NO: 713211 | PRODUCT CUSTOMER DRAWING DOCUMENT NUMBER: 2033660001 DOC TYPE: PSD DOC PART: 000 REVISION: M |
| 2 PLACES ± 0.25 | | 1 PLACE ± | | DRWN: KIRANG5 2022/07/01 | |
| 0 PLACES ± | | DRAFT WHERE APPLICABLE MUST REMAIN WITHIN DIMENSIONS | | DRWN: SRATKOVIC 2016/12/01 | MATERIAL NUMBER: SEE P/N TABLE CUSTOMER: GENERAL MARKET SHEET NUMBER: 4 OF 4 |
| THIRD ANGLE PROJECTION | | DRAWING: D-SIZE | | DRWN: ADTUCKER 2017/10/17 | |