

**MATERIAL**

Polyethylene based (HMWPE) technopolymer, black colour.

**STANDARD EXECUTIONS**

- GLC-20: with ledge 20 mm.
- GLC-40: with ledge 40 mm.

**FEATURES AND APPLICATIONS**

GLC guide rails are used for the side guide of products with different vertical dimensions on conveyor belts.

High molecular weight polyethylene (HMWPE) has a high wear resistance; it is particularly suitable for high-speed movements due to its low coefficient of friction.

Depending on the product to transport, it is recommended to use:

- GLC-20: for the guide of products with limited vertical dimensions (Fig.1);
- GLC-40: for the guide of products with important vertical dimensions (Fig.2);

Supplied in bars of 1500 or 3000 mm length.

**SPECIAL EXECUTIONS ON REQUEST**

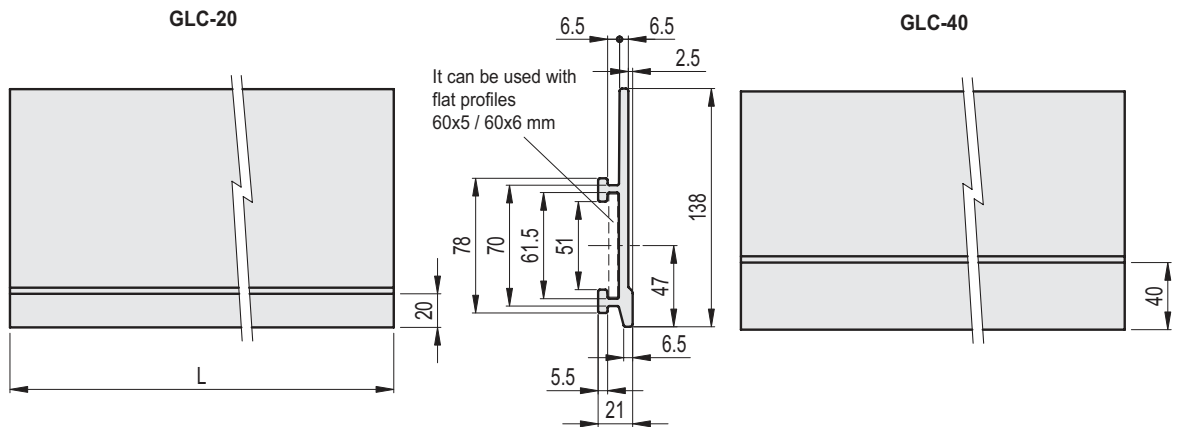
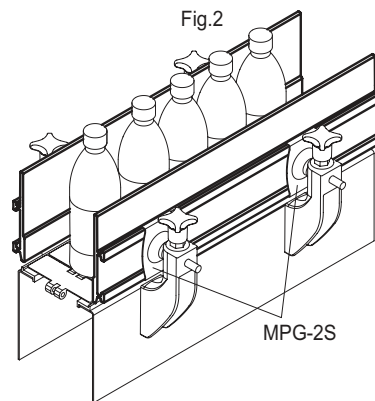
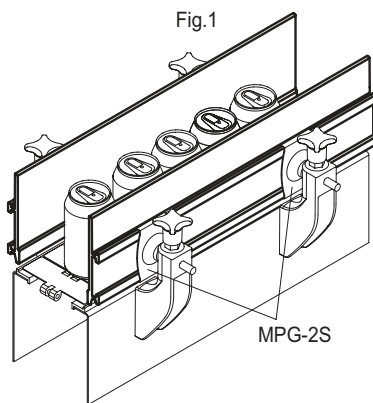
Guide rails in different colours.

**ACCESSORIES ON REQUEST**

Guide rail clamps MPG-2S (see page -).



- 1
- 2
- 3
- 4
- 5
- 6
- 7
- 8
- 9
- 10
- 11
- 12
- 13
- 14
- 15
- 16
- 17
- 18



**GLC-20** **METRIC**

Code	Description	L	Δ
419195	GLC-138-20-1500	1500	1650
419191	GLC-138-20-3000	3000	3300

**GLC-40** **METRIC**

Code	Description	L	Δ
419194	GLC-138-40-1500	1500	1650
419192	GLC-138-40-3000	3000	3300

Levelling feet and supports