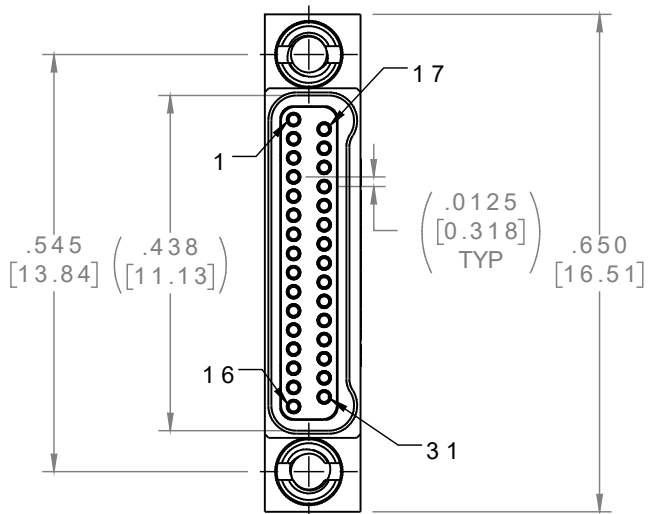


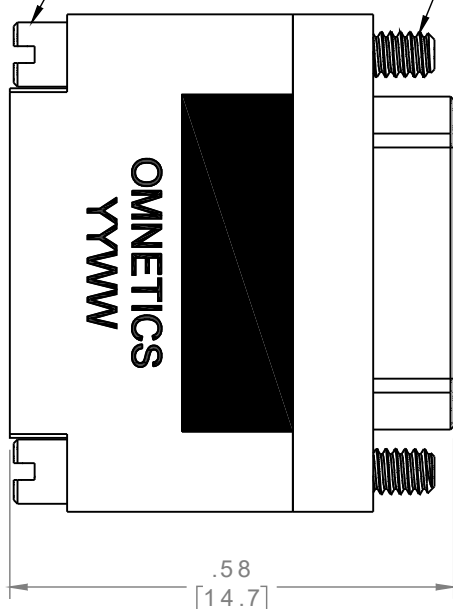
PART NO.	A40838-031	REV	ECO	DATE	APP
		A	103406	04-19-17	TLM

FEMALE

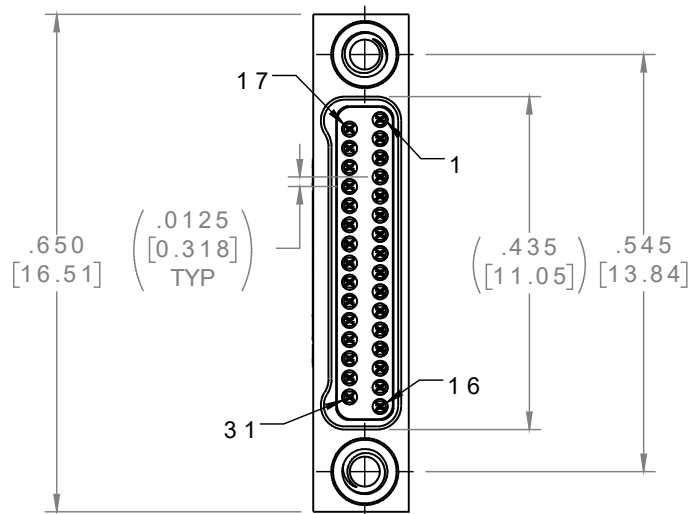


2 X #0-80
UNF-2B
SLOTTED HEAD

2 X #0-80
UNF-2A



MALE



MATERIALS:

INSULATOR:

LIQUID CRYSTAL
POLYMER (LCP) PER
ASTM D5138

HOUSING:

ALUMINUM 6061-T6,
NICKEL PLATE PER
SAE-AMS-2404

HARDWARE:

303 STAINLESS STEEL
PER ASTM 582

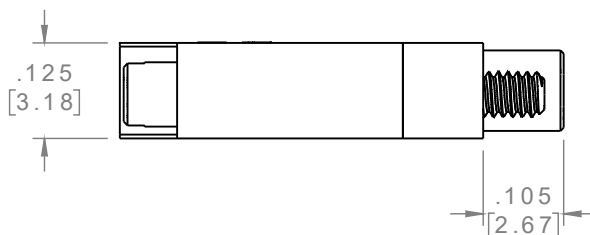
CONTACTS:

MALE:

BERYLLIUM COPPER
PER ASTM B194,
C17200, GOLD PLATED
PER ASTM B488, (HARD
GOLD) TYPE II CODE C,
CLASS 1.27

FEMALE:

COPPER ALLOY PER
MIL-DTL-32139, GOLD
PLATED PER ASTM
B488, (HARD GOLD)
TYPE II CODE C, CLASS
1.27



NOTE:

DIMENSIONS IN [] ARE IN
MILLIMETERS UNLESS
OTHERWISE NOTED AND ARE
FOR REFERENCE ONLY



JUM SLDW	THIRD ANGLE
	-TOLERANCES-
	UNLESS OTHERWISE NOTED
	DIMENSIONS IN INCHES
2	PL DEC ± .01
3	PL DEC ± .005
4	PL DEC ± .0005
ANGLES ± 1°	

THIS DRAWING CONTAINS CONFIDENTIAL AND PROPRIETARY INFORMATION WHICH IS THE PROPERTY OF OMNETICS CONNECTOR CORP. THIS DOCUMENT MAY NOT, IN WHOLE OR IN PART, BE DUPLICATED, OR DISCLOSED FOR ANY PURPOSE, WITHOUT WRITTEN PERMISSION FROM OMNETICS CONNECTOR CORP.			
DFTM. ERB	DATE	TITLE:	
	03-17-17	(31) PIN MALE/FEMALE	
CHK'D.	DATE	Bi-Lobe® CONNECTOR	
APP'D.	DATE	SAVER	

OMNETICS
CONNECTOR CORPORATION
7260 COMMERCE CIRCLE EAST
MINNEAPOLIS, MN 55432
WWW.OMNETICS.COM

CAGE CODE 61873	
DWG NO.	A40838-031
SHEET 1 OF 1	REV A
SCALE: 4:1	