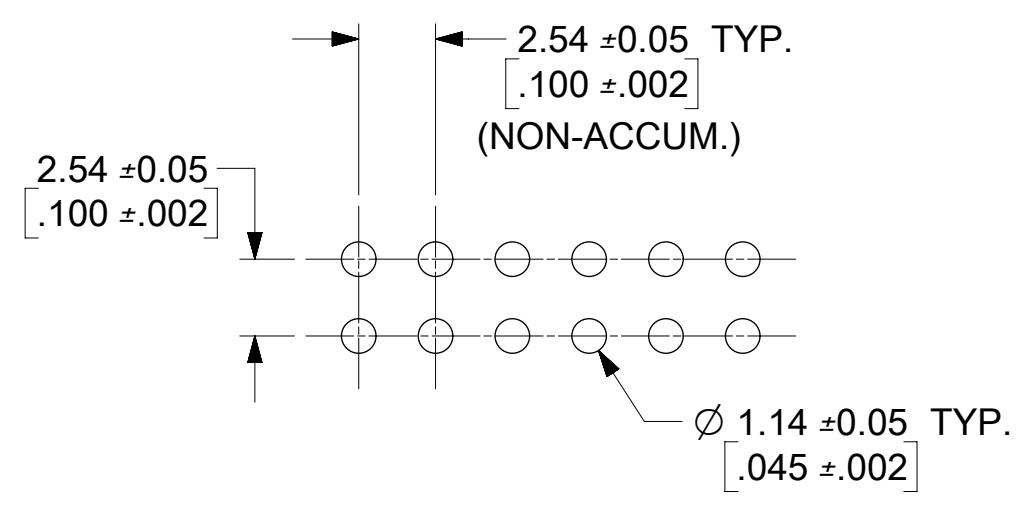
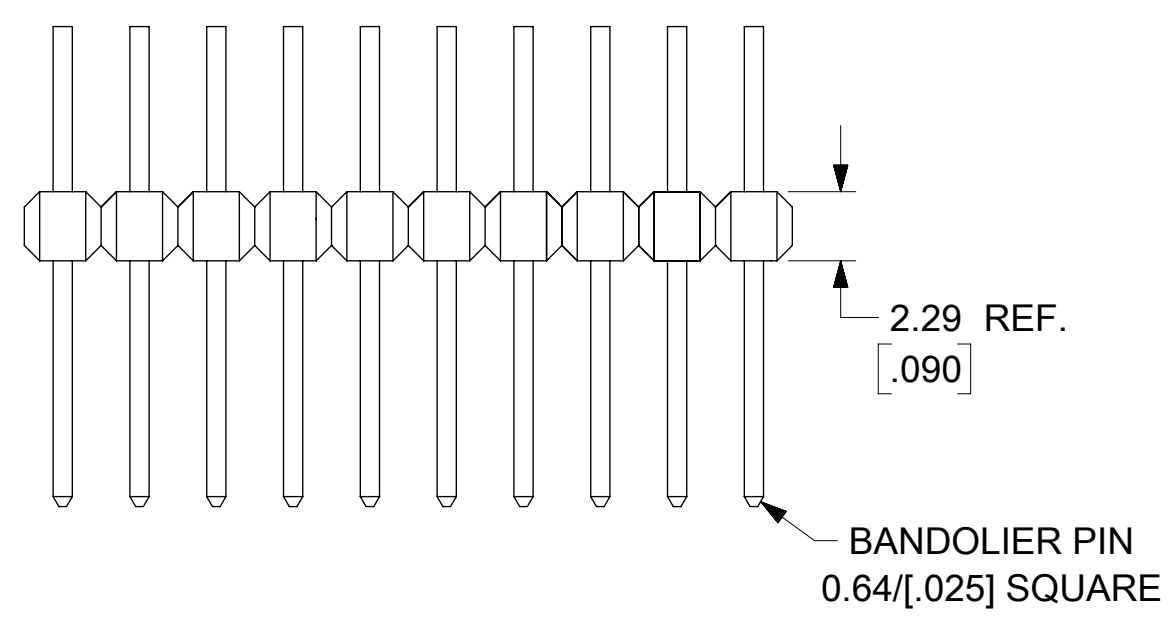
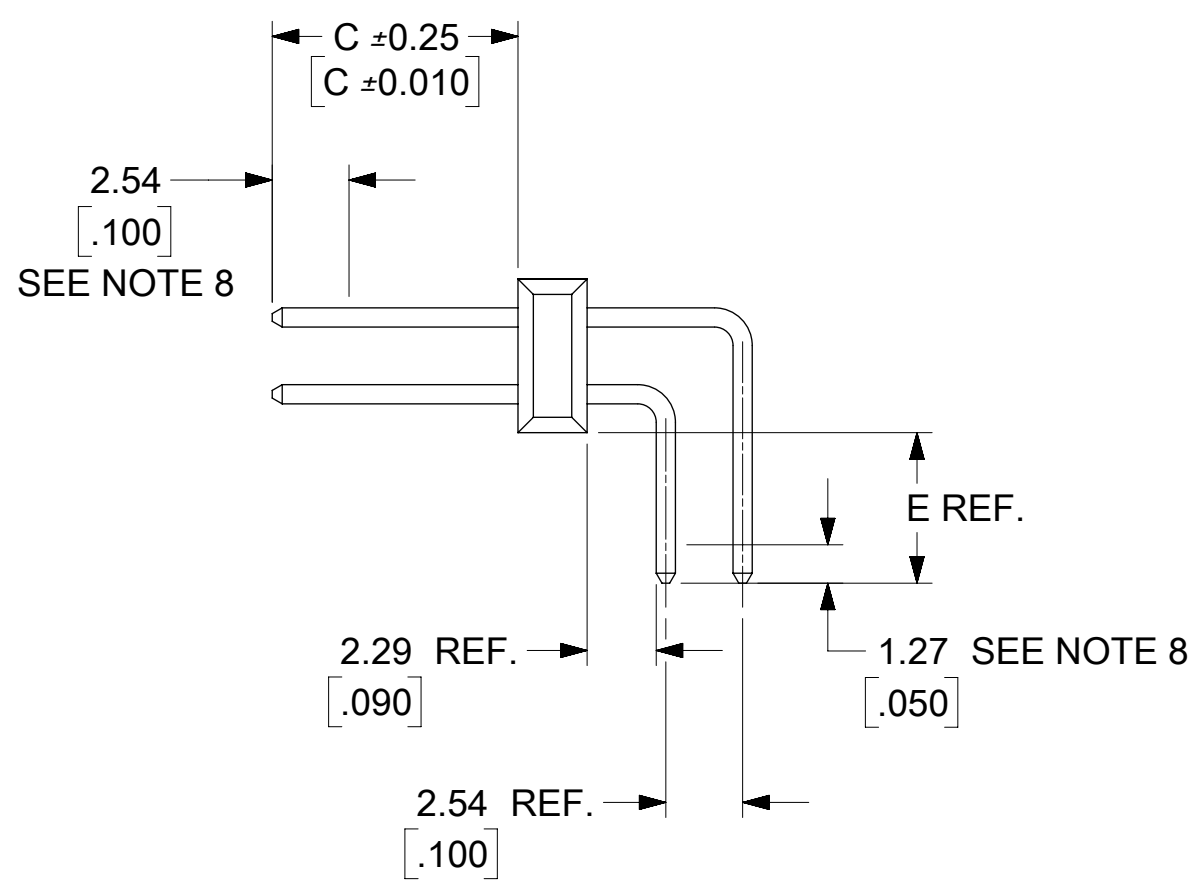
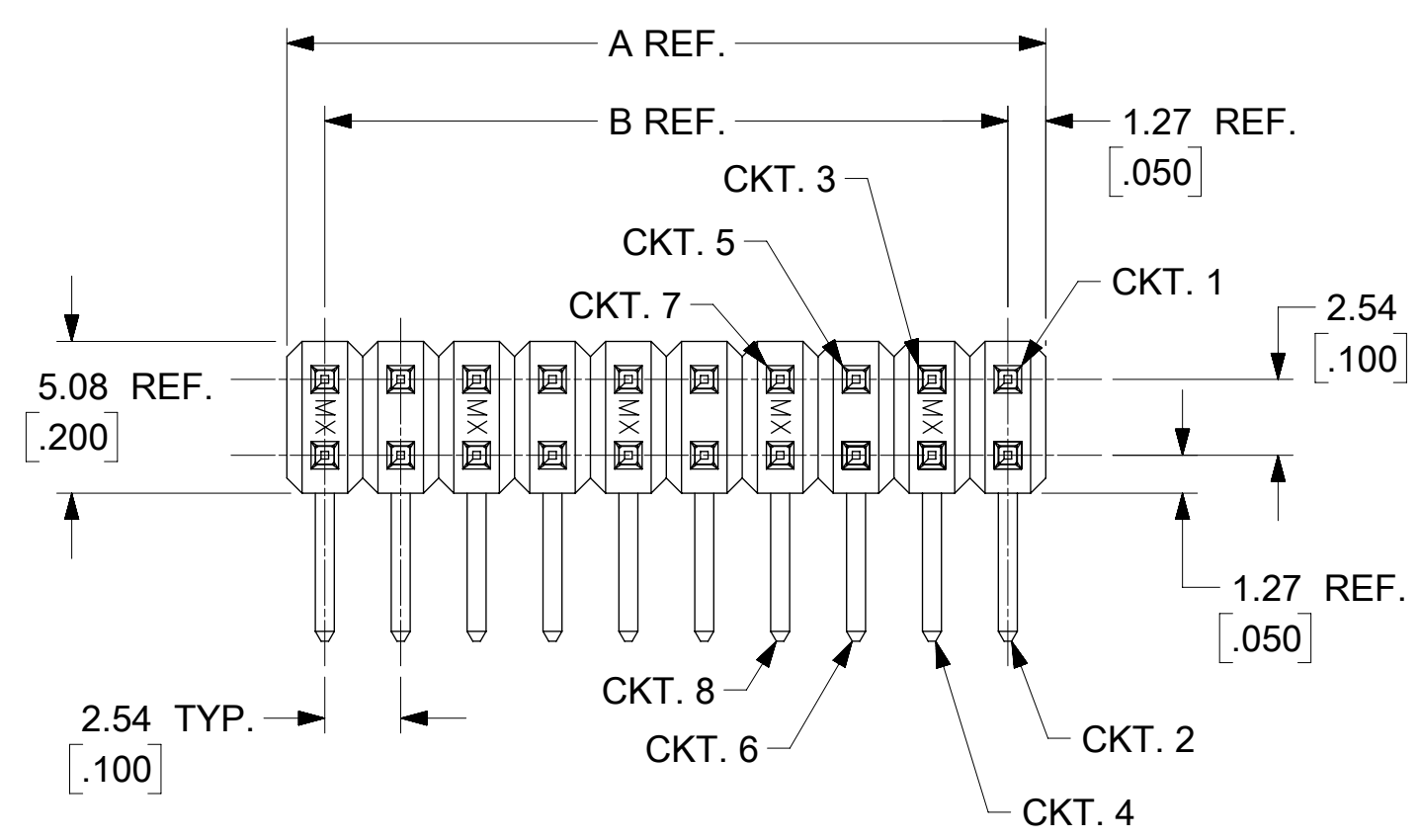


CKTS	A	B
04	5.08/[.200]	2.54/[.100]
06	7.62/[.300]	5.08/[.200]
08	10.16/[.400]	7.62/[.300]
10	12.70/[.500]	10.16/[.400]
12	15.24/[.600]	12.70/[.500]
14	17.78/[.700]	15.24/[.600]
16	20.32/[.800]	17.78/[.700]
18	22.86/[.900]	20.32/[.800]
20	25.40/[1.000]	22.86/[.900]
22	27.94/[1.100]	25.40/[1.000]
24	30.48/[1.200]	27.94/[1.100]
26	33.02/[1.300]	30.48/[1.200]
28	35.56/[1.400]	33.02/[1.300]
30	38.10/[1.500]	35.56/[1.400]



RECOMMENDED P.C. BOARD HOLE LAYOUT



- NOTES:
- MATERIAL: WAFER - HIGH TEMPERATURE THERMAL PLASTIC, 94V-0; COLOR: BLACK  
PIN - COPPER ALLOY
  - PLATING:  
TIN - 0.00381/[.000150] MINIMUM TIN PLATE OVER NICKEL PLATE.  
15 GOLD - 0.00038/[.000015] MINIMUM GOLD PLATE IN SELECT AREA, 0.00191/[.000075] MINIMUM TIN PLATE IN SELECT AREA, OVER NICKEL PLATE OVERALL.  
30 GOLD - 0.00076/[.000030] MINIMUM GOLD PLATE IN SELECT AREA, 0.00191/[.000075] MINIMUM TIN PLATE IN SELECT AREA, OVER NICKEL PLATE OVERALL.  
\* THE PRIMARY SHIPPING CARTON WILL BE LABELED "COMPLIANT TO RoHS DIRECTIVE 2002/95/EC AND ELV ANNEX II OF DIRECTIVE 2000/53/EC". CARTONS WITHOUT THIS LABEL MAY CONTAIN PRODUCT WITH LEAD.
  - PRODUCT CONFORMS TO PS-71764.
  - PACKAGING INFORMATION:  
FOR 4 THRU 8 CIRCUIT PARTS USE PK-70873-0353  
FOR 10 CIRCUITS AND OVER USE PK-70873-0075
  - FOR ILLUSTRATION PURPOSES, 20 (DUAL 10) CIRCUIT SIZE IS SHOWN.
  - PINS MUST MEET SOLDERABILITY SPEC. ES-152, EXCEPT VOIDS ARE PERMISSIBLE AT BANDOLIER PIN AT BANDOLIER PIN FAYING SURFACE. (APPROX. 0.64/[.025] LNG X 0.15/[.006] WD. REF.) 2 LOCATIONS
  - WAFER TO BE FLAT WITHIN 0.03 MM/CM OR [.003 IN./IN]
  - MEASURE POINT FOR PLATING THICKNESS.
  - THIS PART CONFORMS TO CLASS B REQUIREMENTS OF COSMETIC SPECIFICATION PS-45499-002

THIS DRAWING CONTAINS INFORMATION THAT IS PROPRIETARY TO MOLEX ELECTRONIC TECHNOLOGIES, LLC AND SHOULD NOT BE USED WITHOUT WRITTEN PERMISSION

DIMENSION UNITS	SCALE	CURRENT REV DESC: MIGRATED TO NX		<b>molex</b>	
MM/INCH	4:1				
GENERAL TOLERANCES (UNLESS SPECIFIED)		EC NO: 613447		DUAL ROW WAFER ASS'Y	
		DRWN: ABABU01 2019/03/07		W/BREAK-OFF OPTION RT. ANG. (0.64)/.025 SQ PINS	
4 PLACES ±		CHK'D: NMANE02 2019/03/11			
3 PLACES ±		APPR: MRAMAKRISHNA 2019/03/11		PRODUCT CUSTOMER DRAWING	
2 PLACES ± 0.25 ± 0.01		INITIAL REVISION:		DOCUMENT NUMBER	
1 PLACE ± 0.25 ±		DRWN: CAC 1995/08/23		SD-71764-001	
0 PLACES ±		APPR: DJB 1995/08/23		DOC TYPE DOC PART REVISION	
ANGULAR TOL ± 0.5 °		THIRD ANGLE PROJECTION		PSD 001 A3	
DRAFT WHERE APPLICABLE MUST REMAIN WITHIN DIMENSIONS		DRAWING SERIES		MATERIAL NUMBER CUSTOMER SHEET NUMBER	
		C-SIZE 71764		SEE TABLE GENERAL MARKET 1 OF 3	

ITEM NO: 71764-0004/0030, 9003		
DIM. C	6.10/[.240]	
DIM. E (REF.)	2.79/[.110]	
FINISH	TIN	
CONNECTOR END PLATING	TIN	
P.C. BOARD END PLATING	TIN	
PACKAGING	SEE NOTE 4 SHEET 1	
CKTS	ITEM NUMBER	VOIDS
04	71764-0004	
06	71764-0006	
08	71764-0008	
10	71764-0010	
12	71764-0012	
14	71764-0014	
16	71764-0016	
18	71764-0018	
20	71764-0020	
22	71764-0022	
24	71764-0024	
26	71764-0026	
28	71764-0028	
30	71764-0030	
06	71764-9003	3

ITEM NO: 71764-0104/0130, 9001, 9004		
DIM. C	6.10/[.240]	
DIM. E (REF.)	2.79/[.110]	
FINISH	15 GOLD	
CONNECTOR END PLATING	GOLD	
P.C. BOARD END PLATING	TIN	
PACKAGING	SEE NOTE 4 SHEET 1	
CKTS	ITEM NUMBER	VOIDS
04	71764-0104	
06	71764-0106	
08	71764-0108	
10	71764-0110	
12	71764-0112	
14	71764-0114	
16	71764-0116	
18	71764-0118	
20	71764-0120	
22	71764-0122	
24	71764-0124	
26	71764-0126	
28	71764-0128	
30	71764-0130	
06	71764-9001	3, 4
08	71764-9004	5, 6

ITEM NO: 71764-0204/0230, 9000, 9002		
DIM. C	6.10/[.240]	
DIM. E (REF.)	2.79/[.110]	
PLATING FINISH	30 GOLD	
CONNECTOR END PLATING	GOLD	
P.C. BOARD END PLATING	TIN	
PACKAGING	SEE NOTE 4 SHEET 1	
CKTS	ITEM NUMBER	VOIDS
04	71764-0204	
06	71764-0206	
08	71764-0208	
10	71764-0210	
12	71764-0212	
14	71764-0214	
16	71764-0216	
18	71764-0218	
20	71764-0220	
22	71764-0222	
24	71764-0224	
26	71764-0226	
28	71764-0228	
30	71764-0230	
06	71764-9002	3, 4
10	71764-9000	8

THIS DRAWING CONTAINS INFORMATION THAT IS PROPRIETARY TO MOLEX ELECTRONIC TECHNOLOGIES, LLC AND SHOULD NOT BE USED WITHOUT WRITTEN PERMISSION																	
DIMENSION UNITS		SCALE		CURRENT REV DESC: MIGRATED TO NX				<b>molex</b>		DUAL ROW WAFER ASS'Y W/BREAK-OFF OPTION RT. ANG. (0.64)/.025 SQ PINS							
MM/INCH		1:1															
GENERAL TOLERANCES (UNLESS SPECIFIED)				EC NO: 613447		2019/03/07		PRODUCT CUSTOMER DRAWING		DOCUMENT NUMBER		DOC TYPE		DOC PART		REVISION	
4 PLACES		±		DRWN: ABABU01		2019/03/11											
3 PLACES		±		CHK'D: NMANE02		2019/03/11		SD-71764-001		PSD		001		A3			
2 PLACES		± 0.25		APPR: MRAMAKRISHNA		2019/03/11											
1 PLACE		± 0.25		INITIAL REVISION:				MATERIAL NUMBER		CUSTOMER		SHEET NUMBER					
0 PLACES		±		DRWN: CAC		1995/08/23											
ANGULAR TOL		± 0.5 °		APPR: DJB		1995/08/23		SEE TABLE		GENERAL MARKET		2 OF 3					
DRAFT WHERE APPLICABLE MUST REMAIN WITHIN DIMENSIONS				THIRD ANGLE PROJECTION		DRAWING		SERIES		C-SIZE		71764					

ITEM NO: 71764-0304/0330		
DIM. C		8.13/[.320]
DIM. E (REF.)		2.79/[.110]
PLATING FINISH		TIN
CONNECTOR END PLATING		TIN
P.C. BOARD END PLATING		TIN
PACKAGING		SEE NOTE 4 SHEET 1
CKTS	ITEM NUMBER	VOIDS
04	71764-0304	
06	71764-0306	
08	71764-0308	
10	71764-0310	
12	71764-0312	
14	71764-0314	
16	71764-0316	
18	71764-0318	
20	71764-0320	
22	71764-0322	
24	71764-0324	
26	71764-0326	
28	71764-0328	
30	71764-0330	

ITEM NO: 71764-0404/0430		
DIM. C		8.13/[.320]
DIM. E (REF.)		2.79/[.110]
PLATING FINISH		15 GOLD
CONNECTOR END PLATING		GOLD
P.C. BOARD END PLATING		TIN
PACKAGING		SEE NOTE 4 SHEET 1
CKTS	ITEM NUMBER	VOIDS
04	71764-0404	
06	71764-0406	
08	71764-0408	
10	71764-0410	
12	71764-0412	
14	71764-0414	
16	71764-0416	
18	71764-0418	
20	71764-0420	
22	71764-0422	
24	71764-0424	
26	71764-0426	
28	71764-0428	
30	71764-0430	

ITEM NO: 71764-0504/0530		
DIM. C		8.13/[.320]
DIM. E (REF.)		2.79/[.110]
PLATING FINISH		30 GOLD
CONNECTOR END PLATING		GOLD
P.C. BOARD END PLATING		TIN
PACKAGING		SEE NOTE 4 SHEET 1
CKTS	ITEM NUMBER	VOIDS
04	71764-0504	
06	71764-0506	
08	71764-0508	
10	71764-0510	
12	71764-0512	
14	71764-0514	
16	71764-0516	
18	71764-0518	
20	71764-0520	
22	71764-0522	
24	71764-0524	
26	71764-0526	
28	71764-0528	
30	71764-0530	

THIS DRAWING CONTAINS INFORMATION THAT IS PROPRIETARY TO MOLEX ELECTRONIC TECHNOLOGIES, LLC AND SHOULD NOT BE USED WITHOUT WRITTEN PERMISSION									
DIMENSION UNITS <b>MM/INCH</b>		SCALE <b>1:1</b>		CURRENT REV DESC: MIGRATED TO NX				<b>molex</b>	
GENERAL TOLERANCES (UNLESS SPECIFIED)				EC NO: 613447					
				DRWN: ABABU01		2019/03/07		DUAL ROW WAFER ASS'Y	
				CHK'D: NMANE02		2019/03/11		W/BREAK-OFF OPTION RT. ANG. (0.64)/.025 SQ PINS	
				APPR: MRAMAKRISHNA		2019/03/11		PRODUCT CUSTOMER DRAWING	
				INITIAL REVISION:				DOCUMENT NUMBER	
				DRWN: CAC		1995/08/23		SD-71764-001	
				APPR: DJB		1995/08/23		PSD 001 A3	
ANGULAR TOL ± 0.5 °				THIRD ANGLE PROJECTION		DRAWING		MATERIAL NUMBER	
DRAFT WHERE APPLICABLE MUST REMAIN WITHIN DIMENSIONS						C-SIZE		SERIES	
						71764		CUSTOMER	
								GENERAL MARKET	
								SHEET NUMBER	
								3 OF 3	