

**MICRO SWITCH**  
a Honeywell Division

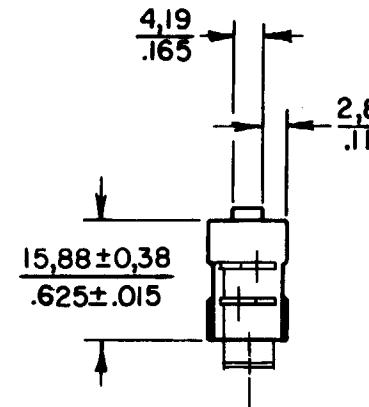
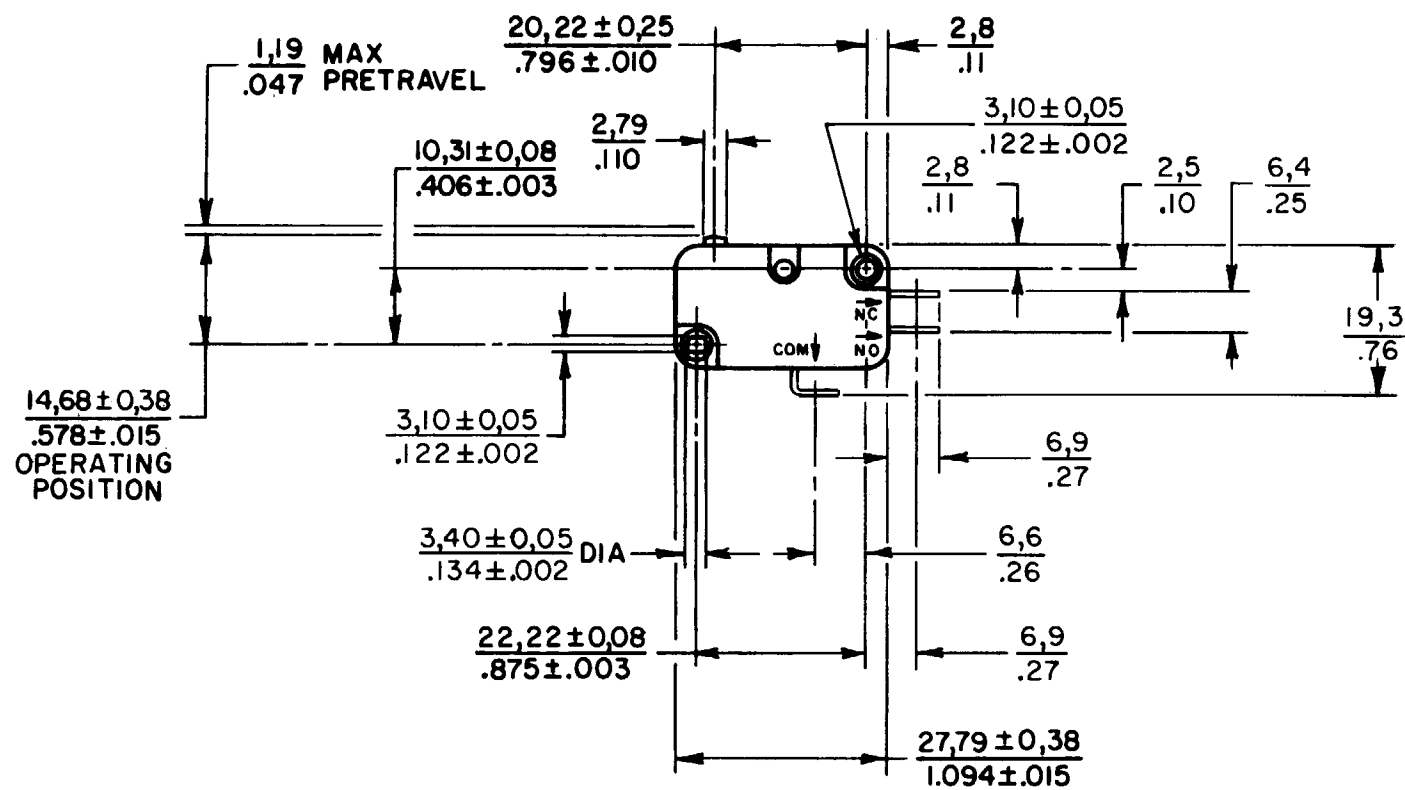
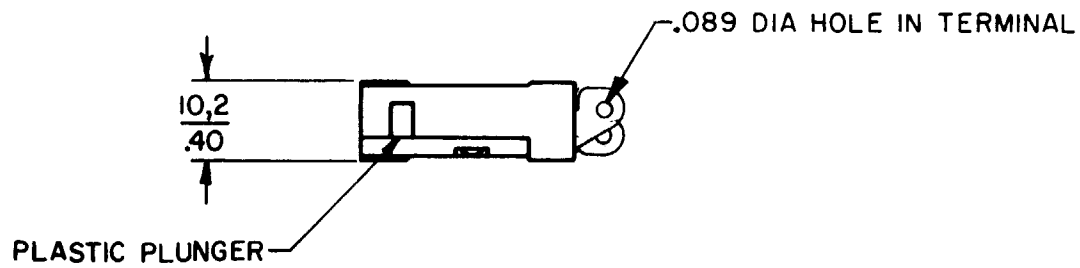
FED. MFG. CODE 9192B

**SWITCH-BASIC**

CATALOG LISTING

**V3-19M**

**CK-A1901**



CATALOG LISTING  
**V3-19M**  
 PAGE 1 OF 1  
 ISSUE **8**  
 REVISIONS  
 A CO 82848 DCS 15 JUL 96  
 DRAWN  
**DCS** 15 JUL 96  
 FORMTEK

REPLACES

RELEASE NO. PR-11069

CHECK

CHECK

CHECK

THIS DRAWING COVERS A PROPRIETARY ITEM AND IS THE PROPERTY OF MICRO SWITCH, A DIVISION OF HONEYWELL. THIS DRAWING IS NOT TO BE COPIED OR USED WITHOUT THE APPROVAL OF MICRO SWITCH

CHARACTERISTICS	
OPERATING FORCE	170 - 398 GR MAX 6 - 14 OZ
RELEASE FORCE	113 GR MIN 4 OZ
DIFFERENTIAL TRAVEL	0.15 - 0.41
OVERTRAVEL	0.06 - .016 1.01 MIN
RELEASE TRAVEL	0.40 MIN 0.18 MIN
FREE POSITION	0.07 MIN .625 MAX

ELECTRICAL DATA	
CONTACT ARRANGEMENT S P D T	
L83 15.1A 1/2HP 125, 250 VAC 1/2A 125 VDC, 1/4A 250 VDC 5A 125 VAC "L"	



SCALE FULL			
DO NOT SCALE PRINT			
TOLERANCES			
APPLY TO DESIGN UNITS. CONVERSIONS ARE ONLY FOR REFERENCE. UNLESS NOTED, TOLERANCES ARE ±			
DIM.	TOL.	DIM.	TOL.
mm	mm/in	in	mm/in
NO PLACES	X	1/04	
ONE PLACE	X,X	0.4/016	X,X 0.8/03
TWO PLACES	X,X,X	0.16/008	X,X,X 0.36/015
THREE PLACES	X,X,X,X		X,X,X,X 0.13/005
ANGLES			
SI METRIC		US CUSTOMARY	
<input type="checkbox"/>		<input checked="" type="checkbox"/>	
DESIGN UNITS			
RAW MATERIAL - COMMERCIAL STANDARD			
MICRO SWITCH STANDARDS APPLY			
DIMENSIONS ARE TO BE MET BEFORE PROTECTIVE COATINGS ARE APPLIED			
WEIGHT			

- NOTES
- 1 - LINEAR MEASURE  $\frac{mm}{IN}$ , OR mm/IN
  - 2 - mm DIMENSIONS ARE FOR REFERENCE ONLY
  - 3 - TERMINALS ARE PLATED FOR SOLDERING
  - 4 - METRIC MOUNTING HOLES