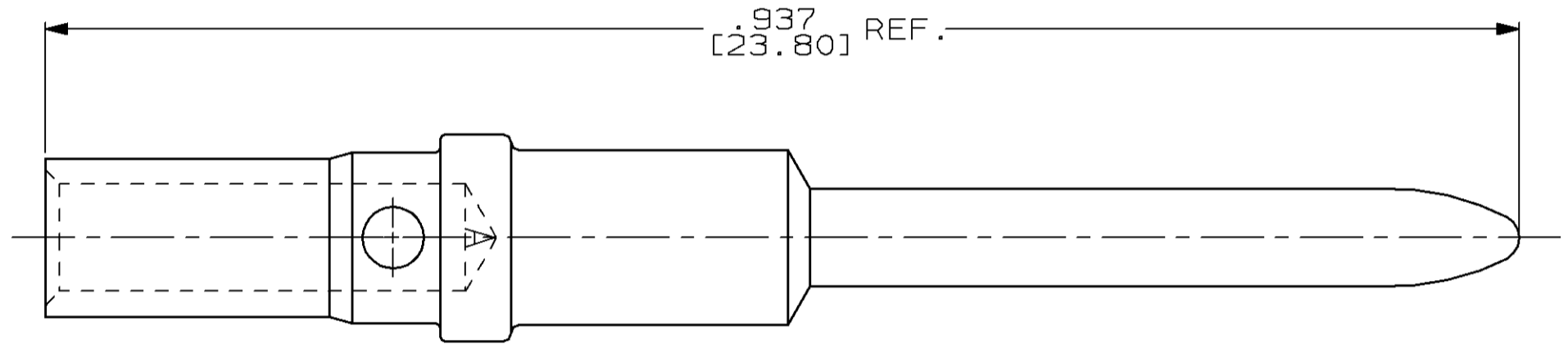
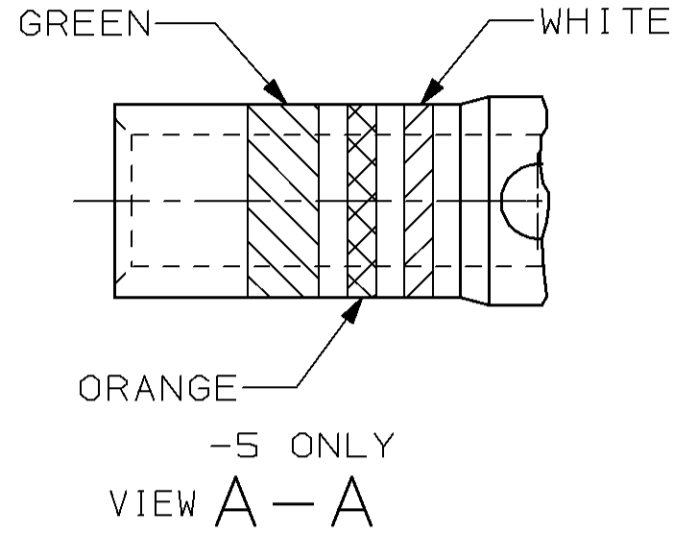


THIS DRAWING IS UNPUBLISHED. RELEASED FOR PUBLICATION, 19
 BY AMP INCORPORATED. ALL RIGHTS RESERVED.

LOC	DIST	REVISIONS			
P	LTR	DESCRIPTION	DATE	DWN	APVD
DF	AO	0	DRAW PER DR, 7-140F JB	12-05-97	JB AS



1 MATERIAL: COPPER ALLOY PER MIL-C-39029.
 2 PER VIEW A-A

2	213122-5
NONE	213122-4
COLOR CODE	PART NUMBER

THIS DRAWING IS A CONTROLLED DOCUMENT.		DWN J. A. Baker 06-17-97	AMP Incorporated Harrisburg, PA 17105-3608	
DIMENSIONS: In [mm]		CHK A. SHARPE 12-05-97	NAME PIN CONTACT, SIZE 16, ARINC 600	
TOLERANCES UNLESS OTHERWISE SPECIFIED:		APVD A. SHARPE 12-05-97	DRAWING NO A2 00779 C=213122	
0 PLC ±-	1 PLC ±-	PRODUCT SPEC	RESTRICTED TO	
2 PLC ±.02 [0.51]	3 PLC ±.005 [0.13]	APPLICATION SPEC	SCALE	10:1
4 PLC ±-	ANGLES ±-	WEIGHT	SHEET	1 OF 1
MATERIAL 3	FINISH 4	CUSTOMER DRAWING	REV	0

213122

B

C

D

A