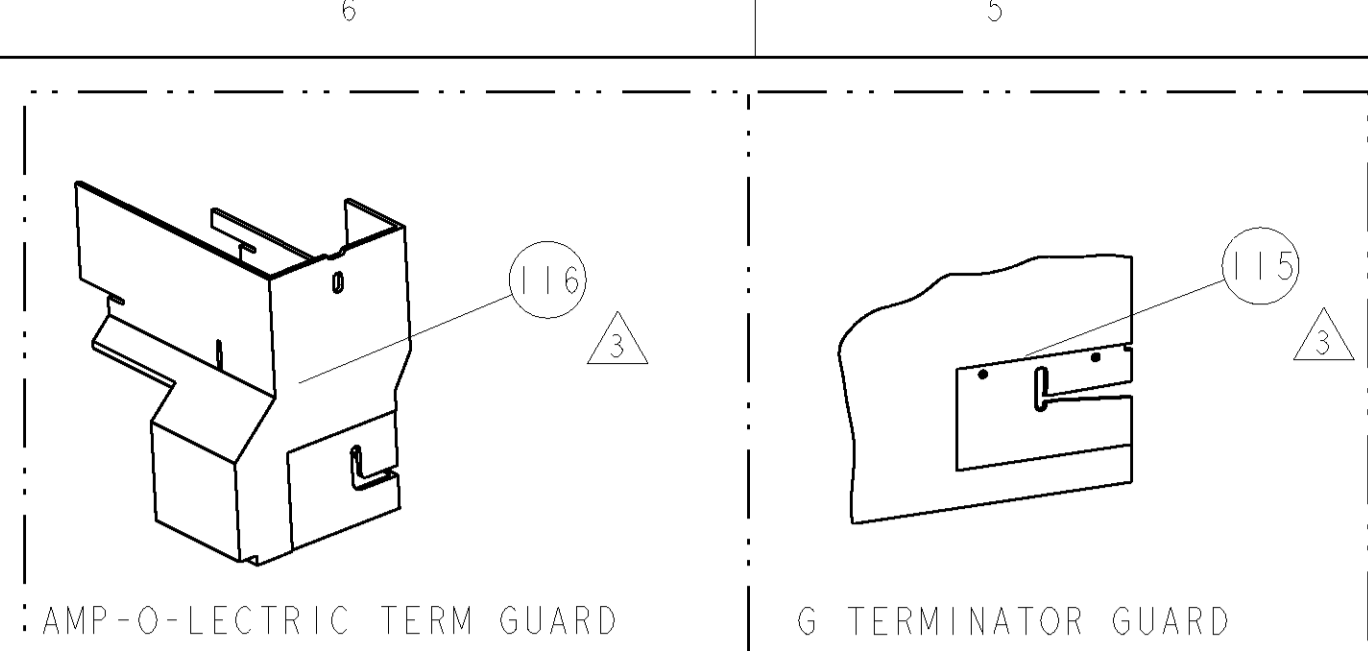


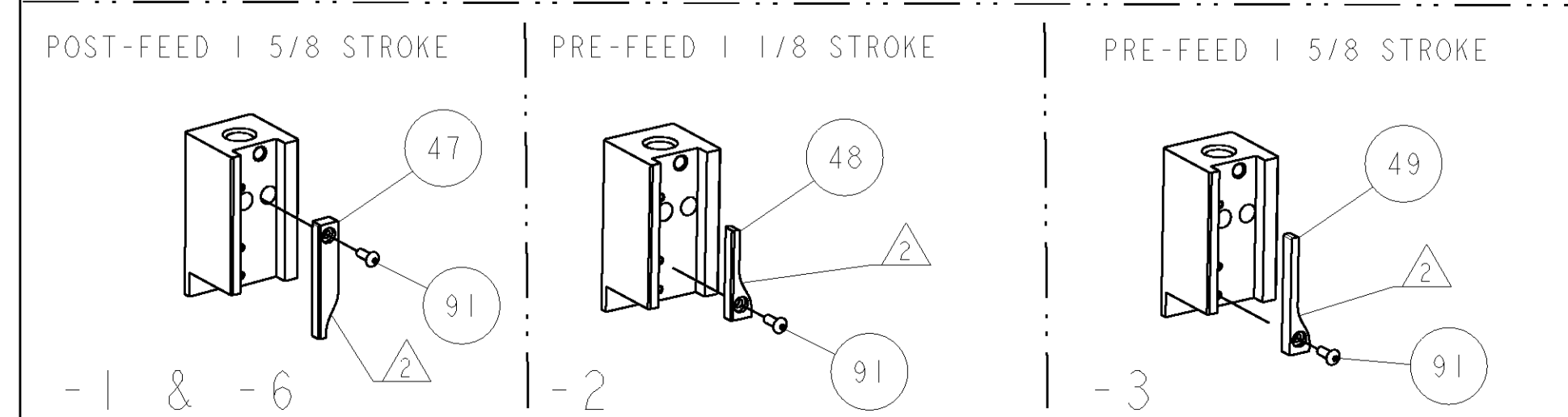
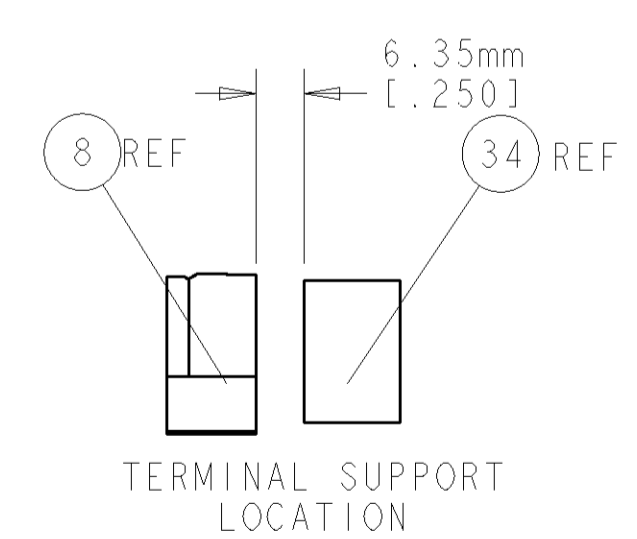
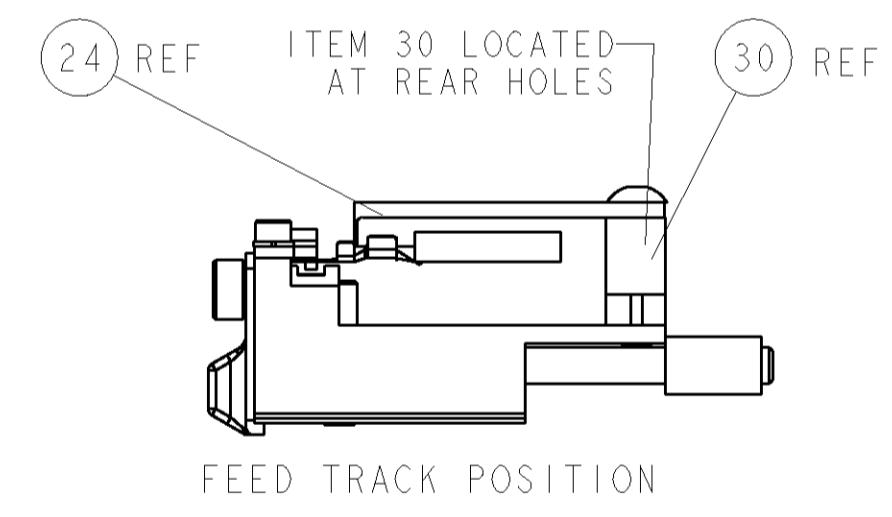
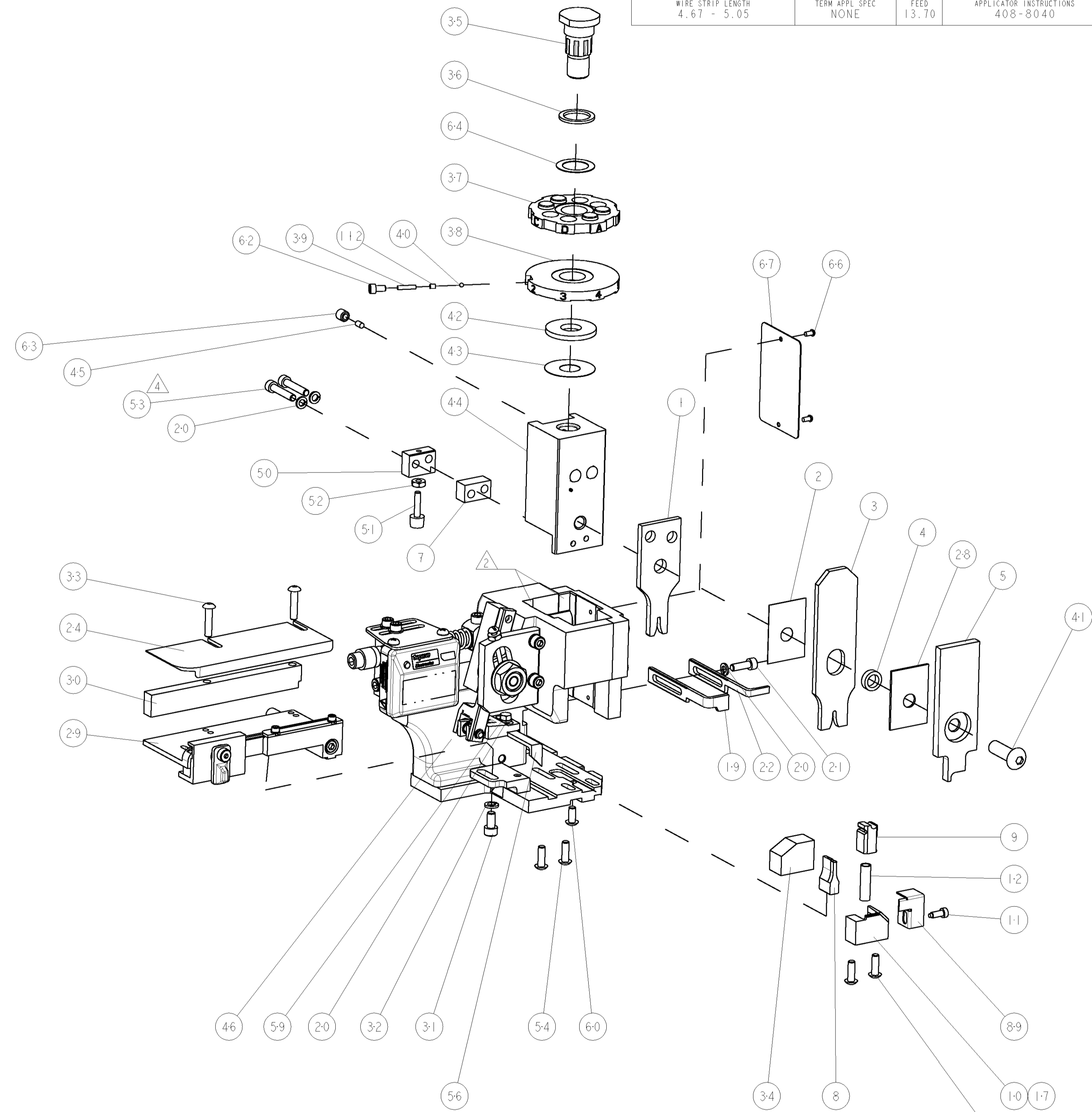
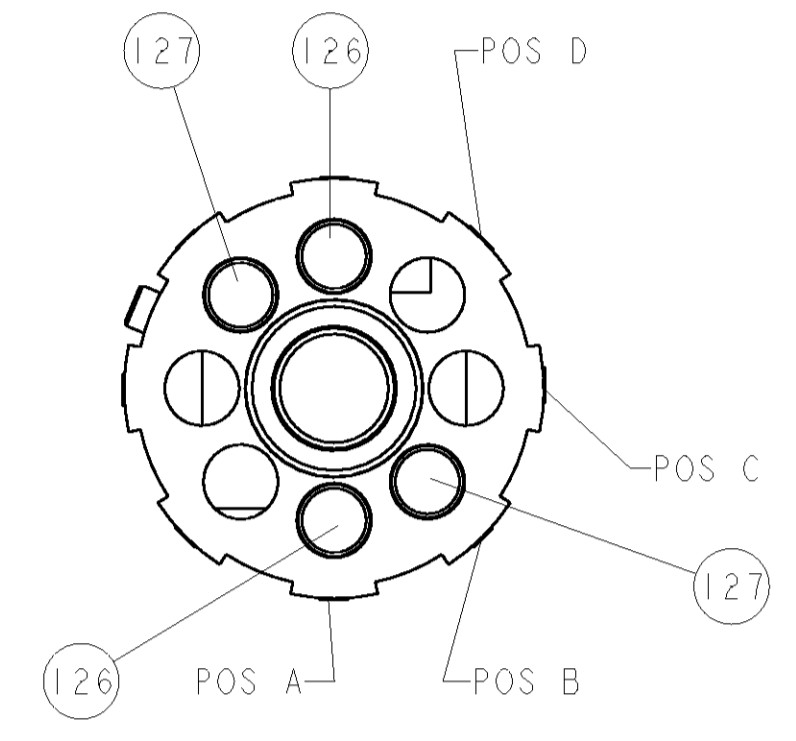
PART NUMBER	REV	FIRST USED	POWER UNIT	FEED TYPE	DESCRIPTION
1852331-1	B	122500-1	LEADMAKER	POST FEED	CUTS CARRIER
1852331-2	B	565435-5	BENCH MODEL K	PRE FEED	CUTS CARRIER
1852331-3	B	354500-1	BENCH MODEL G	PRE FEED	CUTS CARRIER
1852331-6	B	122500-1	LEADMAKER	POST FEED	CONTINUOUS CARRIER
7-1852331-7	B	-	-	-	SPARE PARTS



TYCO ELECTRONICS PN		MFR PN		MOLEX TERMINAL - CARDELL CRIMP SPECS	
1949144	33118-0002				
	F6DB-14487-CA	PAD LTR	CRIMP HEIGHT	WIRE SIZE	
		A	1.25±0.05mm [.049±.002]	18AWG	
		B	1.15±0.05mm [.045±.002]	20AWG	
		C	-	-	
		D	-	-	
		CRIMP	SIZE	TYPE	RANGE
		WIRE	1.88mm [.074]	F	20-18 AWG
		INSUL	2.39mm [.094]	O	∅2.25 MAX
WIRE STRIP LENGTH 4.67 - 5.05	TERM APPL SPEC NONE	FEED 13.70	APPLICATOR INSTRUCTIONS 408-8040	SET UP GAGE 458637-1	

LOC	REV	DESCRIPTION	DATE	BY	APPD
A	66				
B		ECR-07-025286	12NOV2007	RK	GB

- △ RECOMMENDED SPARE PARTS
- △ GREASE LIGHTLY
- △ GUARD MUST BE IN PLACE WHEN OPERATING APPLICATOR IN A BENCH MACHINE
- △ CUT TO LENGTH AT ASSEMBLY



QTY	REV	DESCRIPTION	DATE	BY	APPD
2	2	4-354779-1			
2	2	3-354779-4			
-	-	REF			
-	-	REF			
1	1	69532-1			
1	1	690603-1			
1	1	1-21002-7			
1	1	318563-1			
1	1	4088040			
1	1	217238-1			
1	1	461264-1			
2	2	21017-2			
1	1	986950-1			
1	1	21009-2			
1	1	23030-1			
1	1	22733-8			
1	1	2-22603-0			
1	1	458537-2			
4	4	2-21002-2			
2	2	3-21000-0			
1	1	21018-5			
1	1	811242-2			
1	1	690753-1			
-	-	690602-6			
-	-	690602-5			
1	1	690501-4			
1	1	459456-1			
1	1	690191-1			
1	1	455673-1			
1	1	690125-1			
1	1	690124-1			
1	1	7-21002-9			
1	1	23241-6			
1	1	690170-1			
1	1	690142-1			
1	1	354777-1			
1	1	22480-5			
1	1	690212-1			
1	1	2-690786-3			
2	2	2-21002-4			
1	1	21024-5			
1	1	3-21000-4			
1	1	1320908-3			
1	1	1633091-7			
1	1	1-455888-0			
1	1	1320928-4			
1	1	690472-2			
1	1	2-21000-7			
4	4	21024-4			
1	1	691353-1			
1	1	679625-1			
1	1	3-22280-3			
1	1	690461-1			
1	1	690459-1			
1	1	1-462006-8			
1	1	8-1633116-2			
1	1	6-240641-2			
1	1	2-455889-0			
1	1	3-238011-1			
1	1	8-1583690-0			
1	1	455888-1			
1	1	6-1633305-0			
-77	-6	-3	-2	-1	U/M

QTY	REV	PART NO	DESCRIPTION	ITEM NO
1	1	458637-1	SET UP GAGE	1
1	1	4088040	SF APPL INST 408-8040	2
1	1	217238-1	GENERAL INSTRUCTION PKG	3
1	1	461264-1	PLATE, IDENTIFICATION	4
1	1	21017-2	SCREW, DRIVE	5
1	1	986950-1	WASHER, FLAT PRECISION	6
1	1	21009-2	SCR, SET, SELF LOCKING 1/4-20 X .250	7
1	1	23030-1	SCR, SKT HD CAP 6-32 X .25	8
1	1	22733-8	SCR, BHSC, SELF-LOCKING, 8-32 X .375	9
1	1	2-22603-0	SCR, HEX HD CAP 8-32 X .312	10
1	1	458537-2	PAWL, FEED	11
4	4	2-21002-2	SCR, BTN SKT HD CAP 8-32 X .500	12
2	2	3-21000-0	SCR, SKT HD CAP 8-32 X .875	13
1	1	21018-5	NUT, HEX, REG 6-32	14
1	1	811242-2	BUMPER, HOLD DOWN	15
1	1	690753-1	SPACER, TONKER	16
-	-	690602-6	CAM, PRE FEED, 1 5/8	17
-	-	690602-5	CAM, PRE FEED, 1 1/8	18
1	1	690501-4	CAM, POST FEED, 1 5/8	19
1	1	459456-1	APPL. BASIC SUB ASSY (SIDE WISE MQCA)	20
1	1	690191-1	PLUG, NYLON	21
1	1	455673-1	RAM, SIDE FEED	22
1	1	690125-1	SHIM SUB-ASSY	23
1	1	690124-1	WASHER, RAM (.115)	24
1	1	7-21002-9	SCR, BTN SKT HD CAP 5/16-24 X 1.00	25
1	1	23241-6	BALL, STEEL	26
1	1	690170-1	SPRING, COMPRESSION	27
1	1	690142-1	DISC, INSULATION	28
1	1	354777-1	WIRE DISC, ASSEMBLY	29
1	1	22480-5	SPRING, COMPRESSION	30
1	1	690212-1	POST, RAM	31
1	1	2-690786-3	TERMINAL SUPPORT	32
2	2	2-21002-4	SCR, BTN SKT HD CAP 8-32 X .750	33
1	1	21024-5	WASHER, SPRG LOCK, REG NO 10	34
1	1	3-21000-4	SCR, SKT HD CAP 10-32 X .375	35
1	1	1320908-3	SPACER, STRIP GUIDE	36
1	1	1633091-7	ASSEMBLY, STRIP GUIDE	37
1	1	1-455888-0	SPACER, CRIMPER	38
1	1	1320928-4	PLATE, STRIP GUIDE	39
1	1	690472-2	STRIPPER	40
1	1	2-21000-7	SCR, SKT HD CAP 8-32 X .500	41
4	4	21024-4	WASHER, SPRG LOCK, REG NO 8	42
1	1	691353-1	STRIPPER	43
1	1	679625-1	SHEAR HOLDER, FRONT (NO CUT)	44
1	1	3-22280-3	SPRING, COMPRESSION	45
1	1	690461-1	STOP, SHEAR	46
1	1	690459-1	SHEAR HOLDER, FRONT	47
1	1	1-462006-8	FLOATING SHEAR, FRONT	48
1	1	8-1633116-2	ANVIL, COMBINATION	49
1	1	6-240641-2	SPACER	50
1	1	2-455889-0	DEPRESSOR, SHEAR	51
1	1	3-238011-1	BLOCK, CRIMPER SPACER	52
1	1	8-1583690-0	CRIMPER, INSUL O	53
1	1	455888-1	SPACER, CRIMPER	54
1	1	6-1633305-0	CRIMPER, WIRE PREMIUM	55