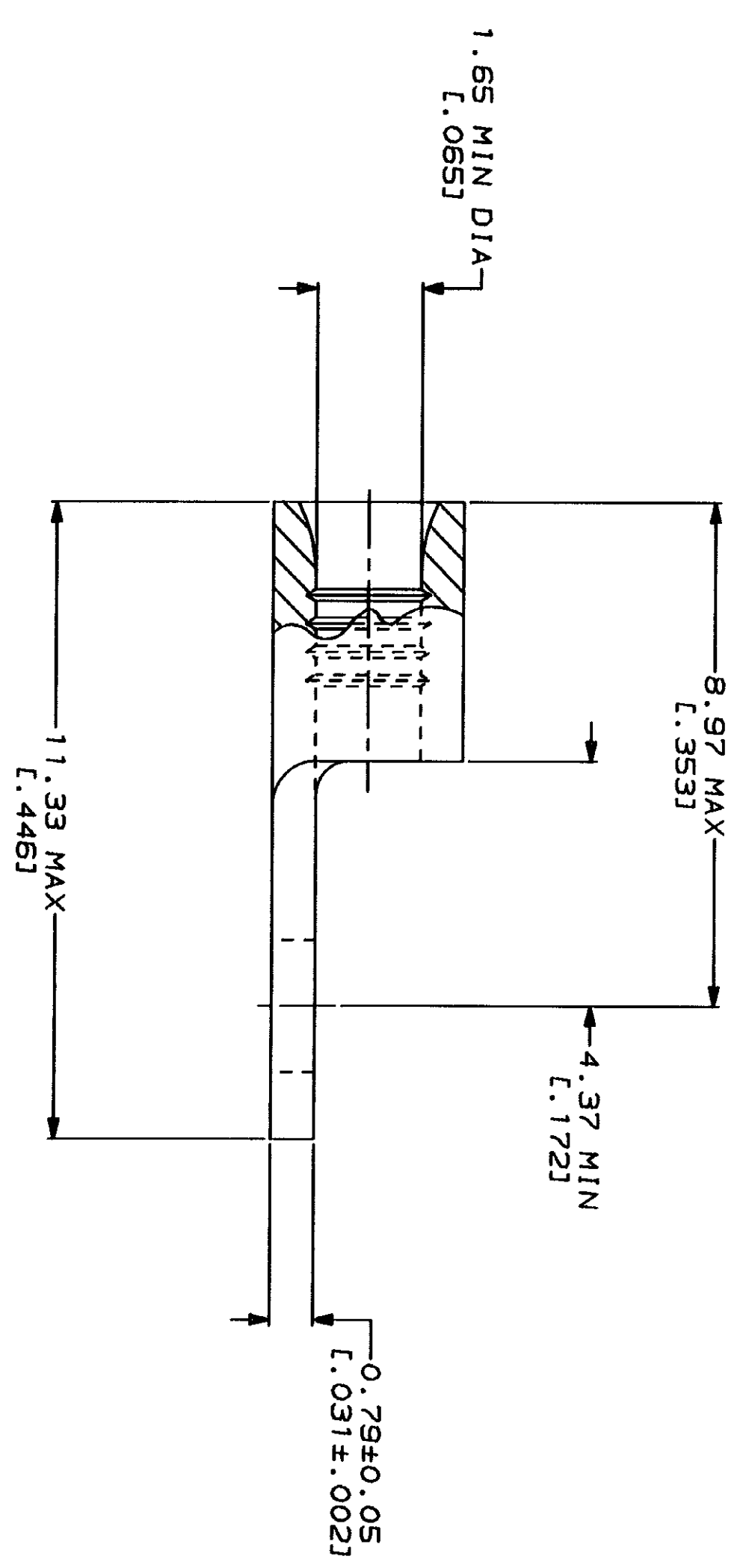
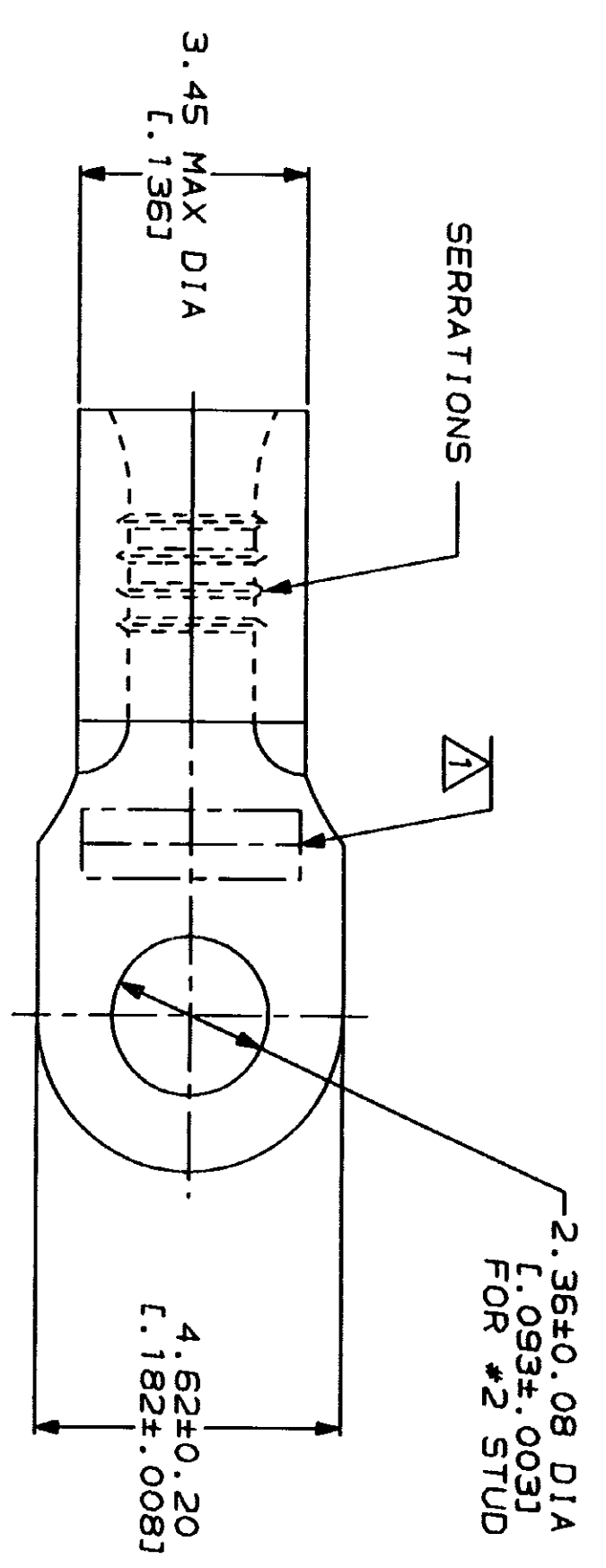
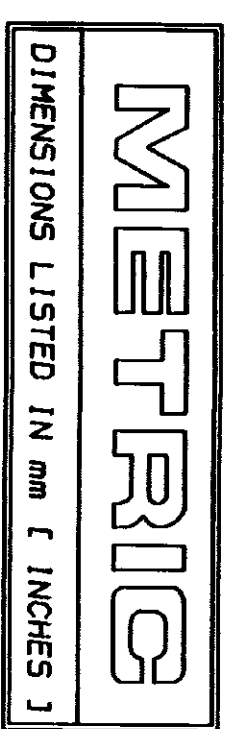


LOC	DISP	REV	DATE	APP
G	14			
REVISIONS				
			DESCRIPTION	
			REVISED PER 0720-0230-93	
			2/28/94	AMP



AMP WIRE RANGE	IL E13288 Listed
22-16 AWG STRANDED	22-16 AWG STRANDED
LR7189 Certified	MILITARY P/N AND CLASS
NOT CERTIFIED	NOT APPLICABLE

STAMP AMP 22-18* APPROX AS SHOWN
 22-16 TERMINALS ARE STAMPED 22-18 IN
 ACCORDANCE WITH MILITARY SPECIFICATION
 MIL-T-7928, COMMERCIAL WIRE RANGE IS 22-16

AMP INCORPORATED
 CUSTOMER SERVICE SYSTEMS

FOR ADDITIONAL
 PRODUCT INFORMATION OR
 COPIES OF DRAWINGS
 AND TECHNICAL DOCUMENTS
 1-800-522-6752

FOR APPLICATION
 TOOLING INFORMATION
 1-800-722-1111

FOR ORDER ENTRY
 1-800-526-5142

MAX RECOMMENDED OPERATING
 TEMPERATURE:
 170°C MAX

VOLTAGE RATING:
 NOT APPLICABLE

WIRE CROSS SECTIONAL AREA RANGE:
 0.26-1.65mm² [509-3,260] CIR MILS
 STRANDED

DO NOT SCALE PRINT.
 UNLESS SPECIFIED
 DIMENSIONS IN INCHES
 TOLERANCES ON:
 2 PLG DEC ± .005
 3 PLG DEC ± .002

DR 2-2-93
 TA BRILKMAN
 CHK 2-2-93
 DA PATTERSON
 APPD 2-2-93
 DE MILLER
 APPD 2-2-93
 JL NECKLEY
 PRODUCT SPEC

AMP
 Amp Incorporated
 Harrisburg, PA 17105-3608

TERMINAL, RING TONGUE,
 BUDGET

FINISH TIN PLATE
 0.00254 [L.000100J] MIN
 THK PER MIL-T-10727

APPLICATION SPEC
 WEIGHT

NAME
 SIZE CAGE CODE DRAWING NO
 00779 C-320677
 SCALE 10:1 SHEET 1 OF 1

320677
 PART NO

320677