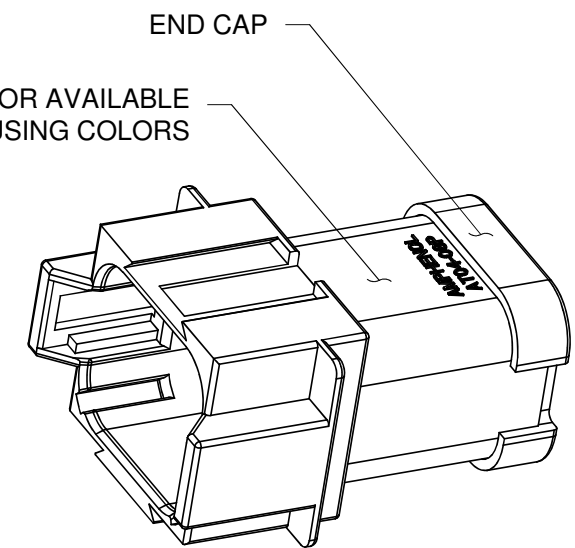
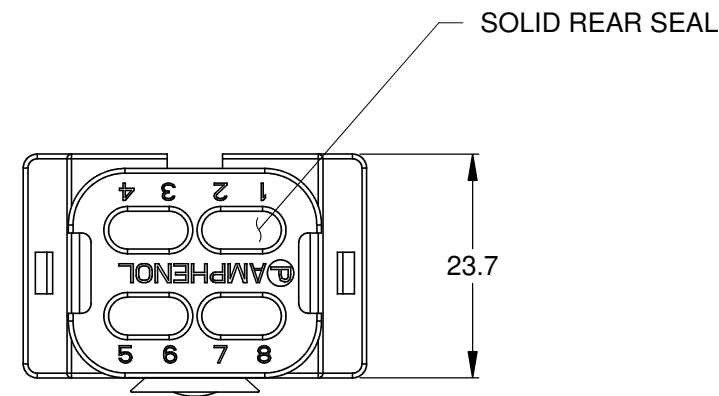
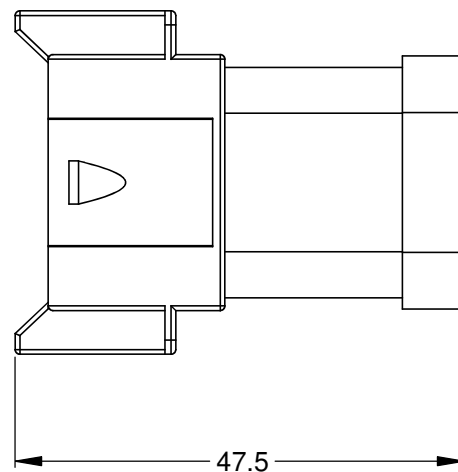
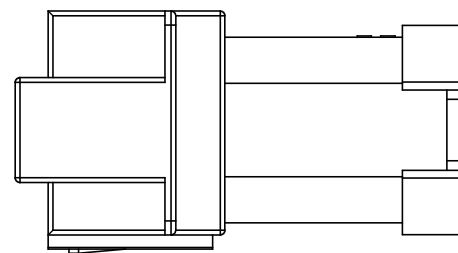
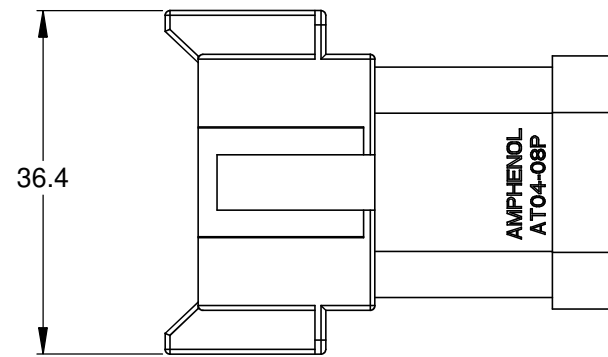


REVISIONS					
REV	ECO	DESCRIPTION	DATE	BY	APPR
A3	-	RELEASE NEW DRAWING FORMAT	03/JAN/14	ORION	-



REFER TO SHEET 2 FOR AVAILABLE CONNECTOR HOUSING COLORS

1  
KEYWAY (2) PLACES

NOTES: UNLESS OTHERWISE SPECIFIED

1 SEE SHEET 2 FOR KEY ARRANGEMENTS AND COLORS.

2. MATERIAL:  
HOUSING: THERMOPLASTIC  
SEAL: SILICONE RUBBER

3. MODIFICATIONS: SOLID REAR SEAL; END CAP

4. SPECIFICATIONS:  
4.1 CURRENT RATING: 13 AMPS  
4.2 OPERATING TEMPERATURE: -55°C TO +125°C  
4.3 DIELECTRIC WITHSTANDING VOLTAGE: LESS THAN 2 MILLIAMPS CURRENT LEAKAGE @ 1500 VOLTS AC.  
4.4 INSULATION RESISTANCE: 1000 MEGOHMS MIN @ 25°C.  
4.5 MOISTURE RESISTANCE: IP67 ( MATED CONDITION )  
4.6 MATING CYCLE DURABILITY: 100 CYCLES  
4.7 RoHS COMPLIANT

5. MATING PART: AT06-08SX\* PLUG  
( X = A,B,C,D KEYS; \* = MODIFICATIONS AND COLORS )

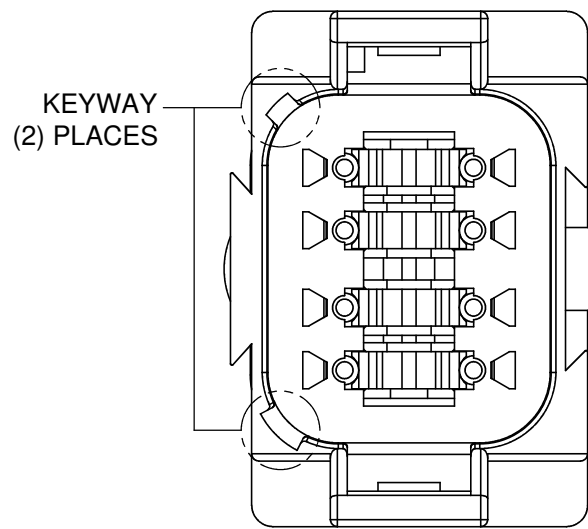
6. ALL DIMENSIONS ARE FOR REFERENCE USE ONLY.

TITLE: RECEPTACLE 8 PIN, AT, KEYED, SOLID REAR SEAL, END CAP  
DWG NO: AT04-08PX-SSXXX  
REV: A3  
SH: 1  
OF: 2

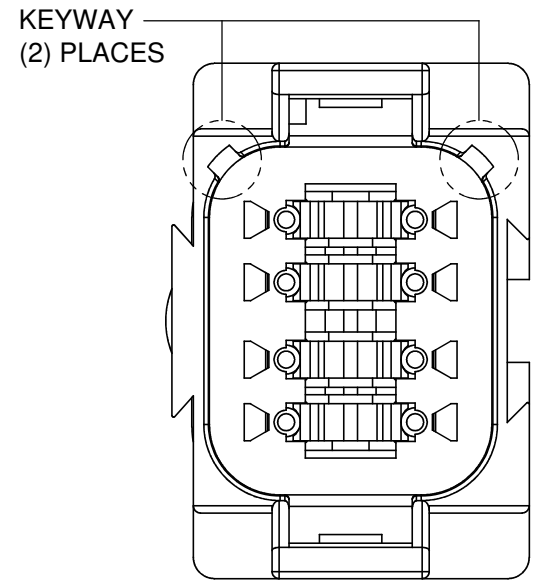
QUANTITY	SEE SHEET 2 PART NUMBER	DESCRIPTION	ITEM
<b>MATERIALS LIST</b>			
UNLESS OTHERWISE SPECIFIED 1) All dimensions are in metric (mm). 2) Tolerances are as follows: 1 PL DEC ±0.30 2 PL DEC ±0.15 3 PL DEC ±0.08 Fractions ±1/64 Angles ±1° 3) Note reference =		SIGNATURES DRAWN: ORION.LI CHECKED: ENGINEER: APPROVAL:	DATE 03/JAN/14
MATERIAL SPECIFICATIONS:		<b>Amphenol</b> Sine Systems - www.amphenol-sine.com 44724 Morley Drive Clinton Township, MI 48036	
PROCESS SPECIFICATIONS:		RECEPTACLE, 8 PIN, AT SERIES, KEYED, SOLID REAR SEAL, END CAP	
NEXT ASSY:		THIS DRAWING IS SUPPLIED FOR INFORMATION ONLY. DESIGN FEATURES, SPECIFICATIONS AND PERFORMANCE DATA SHOWN HEREON ARE THE PROPERTY OF THE AMPHENOL CORPORATION. NO RIGHTS OF REPRODUCTION ARE IMPLIED. ALL DIMENSIONS ARE SUBJECT TO NORMAL MANUFACTURING VARIATIONS.	SIZE: <b>B C-</b> SCALE: NONE
		DWG NO: <b>AT04-08PX-SSXXX</b>	REVISION: <b>A3</b>
		SHEET 1 OF 2	

REVISIONS					
REV	ECO	DESCRIPTION	DATE	BY	APPR

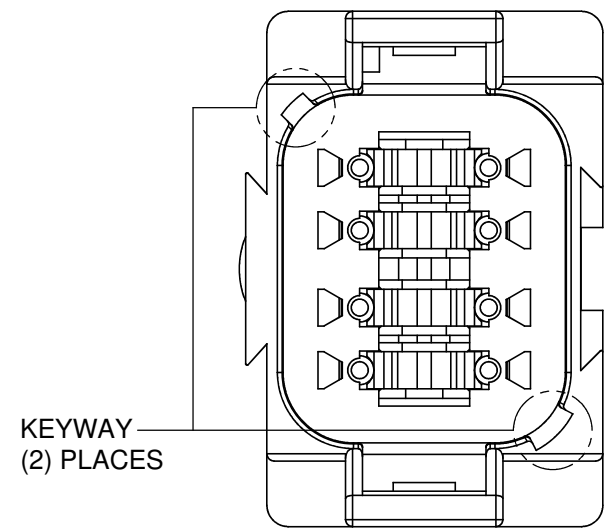
P/N AT04-08PA-SS01  
KEY-A CONFIGURATION  
STANDARD COLOR: GREY



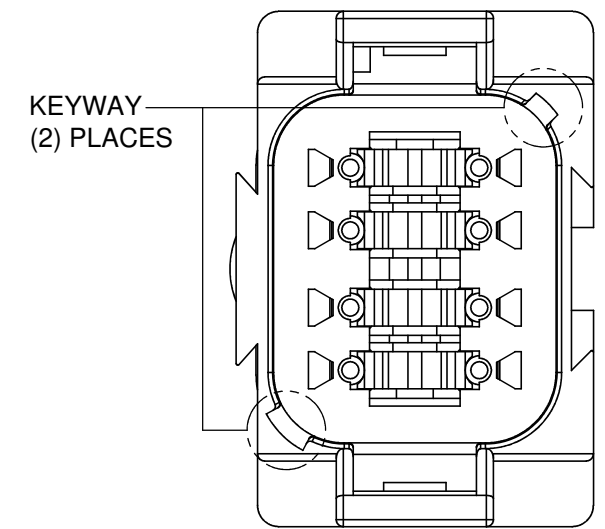
P/N AT04-08PB-SS01  
KEY-B CONFIGURATION  
STANDARD COLOR: BLACK



P/N AT04-08PC-SS01  
KEY-C CONFIGURATION  
STANDARD COLOR: GREEN



P/N AT04-08PD-SS01  
KEY-D CONFIGURATION  
STANDARD COLOR: BROWN



KEY-A CONFIGURATION	
COLOR	PART NUMBER
<b>* GREY</b>	<b>AT04-08PA-SS01</b>
BLACK	AT04-08PA-SSBLK
GREEN	AT04-08PA-SSGRN
BROWN	AT04-08PA-SSBRN

KEY-B CONFIGURATION	
COLOR	PART NUMBER
GREY	AT04-08PB-SSGRY
<b>* BLACK</b>	<b>AT04-08PB-SS01</b>
GREEN	AT04-08PB-SSGRN
BROWN	AT04-08PB-SSBRN

KEY-C CONFIGURATION	
COLOR	PART NUMBER
GREY	AT04-08PC-SSGRY
BLACK	AT04-08PC-SSBLK
<b>* GREEN</b>	<b>AT04-08PC-SS01</b>
BROWN	AT04-08PC-SSBRN

KEY-D CONFIGURATION	
COLOR	PART NUMBER
GREY	AT04-08PD-SSGRY
BLACK	AT04-08PD-SSBLK
GREEN	AT04-08PD-SSGRN
<b>* BROWN</b>	<b>AT04-08PD-SS01</b>

NOTE:

AN ASTERISKS ( \* ) PLACED BEFORE THE COLOR DENOTES THE STANDARD MOLDED COLOR OF THE CONNECTORS SHOWN ABOVE.

OTHER COLORS SHOWN ARE AVAILABLE VIA SPECIAL ORDER.

TITLE: RECEPTACLE 8 PIN, AT, KEYED, SOLID REAR SEAL, END CAP  
DWG NO: AT04-08PX-SSXXX  
REV: A3  
SH: 2  
OF: 2

QUANTITY	PART NUMBER	DESCRIPTION	ITEM										
<b>MATERIALS LIST</b>													
UNLESS OTHERWISE SPECIFIED 1) All dimensions are in metric (mm). 2) Tolerances are as follows: 1 PL DEC ±0.30 2 PL DEC ±0.15 3 PL DEC ±0.08 Fractions ±1/64 Angles ±1° 3) Note reference =		<table border="1"> <tr> <th>SIGNATURES</th> <th>DATE</th> </tr> <tr> <td>DRAWN: ORION.LI</td> <td>03/JAN/14</td> </tr> <tr> <td>CHECKED:</td> <td></td> </tr> <tr> <td>ENGINEER:</td> <td></td> </tr> <tr> <td>APPROVAL:</td> <td></td> </tr> </table>		SIGNATURES	DATE	DRAWN: ORION.LI	03/JAN/14	CHECKED:		ENGINEER:		APPROVAL:	
SIGNATURES	DATE												
DRAWN: ORION.LI	03/JAN/14												
CHECKED:													
ENGINEER:													
APPROVAL:													
MATERIAL SPECIFICATIONS:		<p style="text-align: center;"><b>Amphenol</b></p> <p style="text-align: center;">Sine Systems - www.amphenol-sine.com 44724 Morley Drive Clinton Township, MI 48036</p>											
PROCESS SPECIFICATIONS:		<p style="text-align: center;">RECEPTACLE, 8 PIN, AT SERIES, KEYED, SOLID REAR SEAL, END CAP</p>											
NEXT ASSY:		<table border="1"> <tr> <td>SIZE: <b>B C-</b></td> <td>DWG NO: <b>AT04-08PX-SSXXX</b></td> <td>REVISION: <b>A3</b></td> </tr> <tr> <td>SCALE: <b>NONE</b></td> <td colspan="2">SHEET <b>2</b> OF <b>2</b></td> </tr> </table>		SIZE: <b>B C-</b>	DWG NO: <b>AT04-08PX-SSXXX</b>	REVISION: <b>A3</b>	SCALE: <b>NONE</b>	SHEET <b>2</b> OF <b>2</b>					
SIZE: <b>B C-</b>	DWG NO: <b>AT04-08PX-SSXXX</b>	REVISION: <b>A3</b>											
SCALE: <b>NONE</b>	SHEET <b>2</b> OF <b>2</b>												