

PCB LAYOUT - COMPONENT VIEW  
TOLERANCE ± 0.05

TECHNICAL CHARACTERISTICS

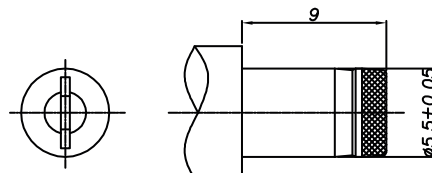
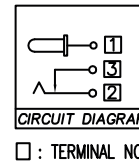
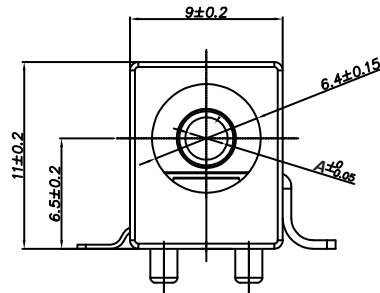
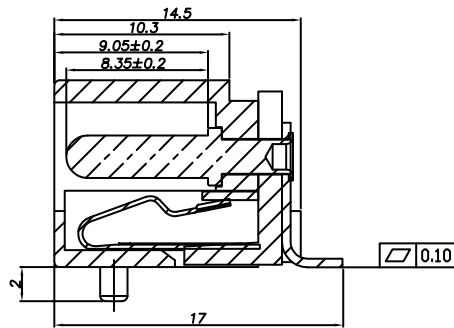
MATERIAL  
INSULATOR: PA 9T  
FLAMABILITY RATING: UL94-V0  
COLOR: BLACK  
CONTACT MATERIAL: COPPER ALLOY  
CONTACT TYPE: STAMPED  
PLATING:  
- CENTER PIN: GOLD  
- CENTER PIN TERMINAL: TIN  
- SHUNT TERMINAL: TIN  
- TIP SPRING: TIN  
QUALITY CLASS: 5000 MATING CYLCES

ENVIRONMENTAL  
OPERATING TEMPERATURE: -40°C UP TO +85°C  
COMPLIANCE: LEAD FREE AND ROHS

ELECTRICAL  
CURRENT RATING: 5A  
WORKING VOLTAGE: 24 V DC  
INSULATION RESISTANCE: >100 MΩ  
DIELECTRIC WITHSTANDING VOLTAGE: 500 VAC/MIN  
CONTACT RESISTANCE: 50 mΩ max

SOLDERING  
JEDEC LEAD FREE REFLOW SOLDERING PROCESS

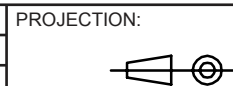
PACKAGING  
TAPE & REEL



DC MATE PLUG

|              |  |  |
|--------------|--|--|
| Ø A          | 2.0                                    | 2.5                                    |
| XX           | 06                                     | 08                                     |
| PLUG INNER Ø | 2.05 <sup>+0.10</sup> <sub>-0.00</sub> | 2.55 <sup>+0.10</sup> <sub>-0.00</sub> |
| PLUG OUTER Ø | 5.5±0.05                               | 5.5±0.05                               |

|                |           |      |    |
|----------------|-----------|------|----|
| RoHS Compliant |           |      |    |
| G              |           |      |    |
| F              |           |      |    |
| E              |           |      |    |
| D              |           |      |    |
| C              |           |      |    |
| B              |           |      |    |
| A              | 29-OCT-14 | PDF  | AS |
| REV            | DATE      | FILE | BY |



APPROVAL: JTs

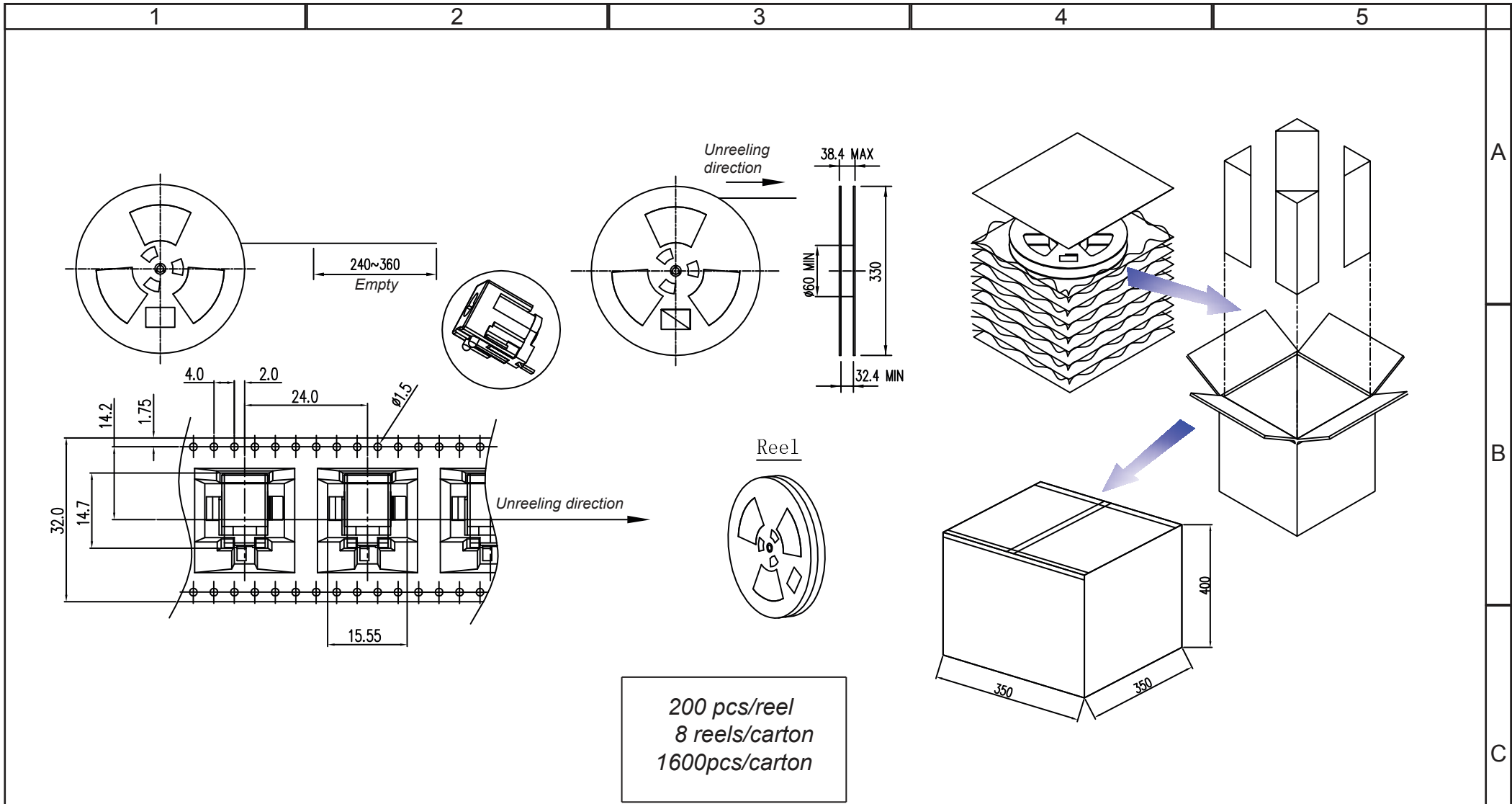
GENERAL TOLERANCE  
X = +/\_ 0.50  
.X = +/\_ 0.30  
.XX = +/\_ 0.20

UNIT: MM  
SCALE:  
SHEET: 1/3  
DRAW: AS

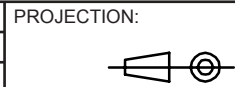


DESCRIPTION: DC POWER JACK - RIGHT ANGLED - SMT - 2.0 & 2.5Ø -WR-DC  
WERI PART NO: 694 1xx 105 102

SIZE  
**A4**



|                |           |      |    |
|----------------|-----------|------|----|
| RoHS Compliant |           |      |    |
| G              |           |      |    |
| F              |           |      |    |
| E              |           |      |    |
| D              |           |      |    |
| C              |           |      |    |
| B              |           |      |    |
| A              | 22-JUL-14 | PDF  | AS |
| REV            | DATE      | FILE | BY |



APPROVAL: JTs

GENERAL TOLERANCE  
.X = +/- 0.2  
.XX = +/- 0.15

UNIT: MM  
SCALE:  
SHEET: 2/3  
DRAW: AS



DESCRIPTION: DC POWER JACK - RIGHT ANGLED - SMT - 2.0 & 2.5Ø -WR-DC  
WERI PART NO: 694 1xx 105 102

SIZE  
**A4**

1

2

3

4

5

## Cautions and Warnings:

This electronic component is designed and developed with the intention for use in general electronics equipments.

Before incorporating the components into any equipments in the field such as aerospace, aviation, nuclear control, submarine, transportation, (automotive control, train control, ship control), transportation signal, disaster prevention, medical, public information network etc. where higher safety and reliability are especially required or if there is possibility of direct damage or injury to human body, Würth Elektronik must be asked for a written approval.

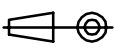

In addition, even electronic component in general electronic equipments, when used in electrical circuits that require high safety, reliability functions or performance, the sufficient reliability evaluation-check for the safety must be performed before by the user before usage.

A

B

C

RoHS Compliant

|     |           |      |    |  |   |   |                   |
|-----|-----------|------|----|--|---|---|-------------------|
| G   |           |      |    | PROJECTION:<br> | GENERAL TOLERANCE<br>.X = +/- 0.2<br>.XX = +/- 0.15 |  |                   |
| F   |           |      |    |  |   |   |                   |
| E   |           |      |    |  |   |   |                   |
| D   |           |      |    |  |   |   |                   |
| C   |           |      |    | APPROVAL: JC   | UNIT: MM  | DESCRIPTION: DISCLAIMER   | SIZE<br><b>A4</b> |
| B   |           |      |    |  | SCALE:  |   |                   |
| A   | 10-SEP-14 | PDF  | QL |  | SHEET: 3/3  | WERI PART NO: DISCLAIMER  |                   |
| REV | DATE      | FILE | BY |  | DRAW: QL  |   |                   |

D