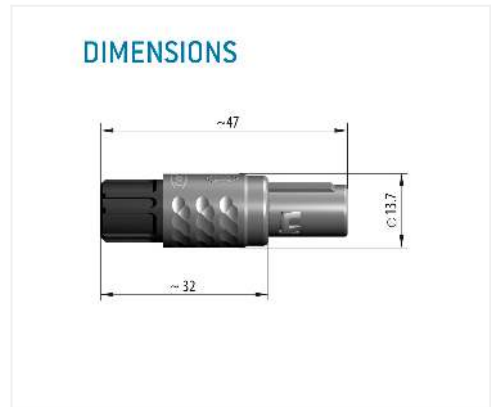
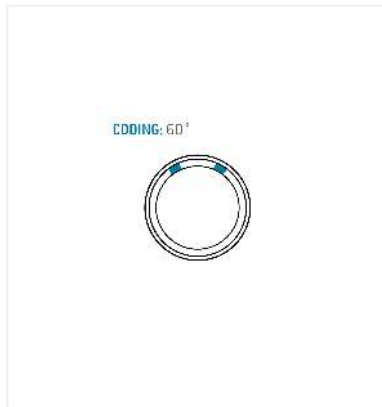


S11MC7-P08MFG0-5240
medi_snap, type_s1



General information

| | |
|--------------------------|---------------------|
| Part number | S11MC7-P08MFG0-5240 |
| Termination | solder |
| Size | 1 |
| Locking principle | push |
| Coding | c_key_medi |
| Cable Diameter | cable_medi_52 |
| Cable outlet | standard |



Contact insert description

| | |
|-----------------------------|--------|
| Number of contacts | 8 |
| Contact type | pins |
| Contact diameter | 07mm |
| Insulator material | peek |
| Wire cross section | 22_awg |
| Termination | solder |
| Termination diameter | 085mm |

reverse_gender_on_request

Technical information

| | | |
|---|----------|---------------|
| Max. creepage and air clearance distance | 04_mm | |
| Nominal current single contact | 075_a | iec_60512_5_2 |
| Nominal current insert | 4,875 A | vde_0298_4 |
| Test voltage | 12_kv_dc | sae_13441 |

safety_text

Mechanical and environmental data

| | |
|-----------------------|----------|
| Degree of protection* | ip50 |
| Operating temperature | 50_120_c |
| Mating cycles | 2000 |

mated_unmated

Insulator materials MEDI-SNAP®

psu_peek

Material and surface treatments

| | |
|--------------|---------------|
| Housing | psu_gray |
| Color option | yellow |
| Contact | cu_alloy_gold |

safety_text_2
ul_text
illustrative_text