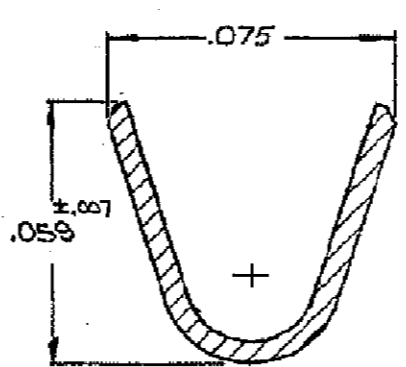
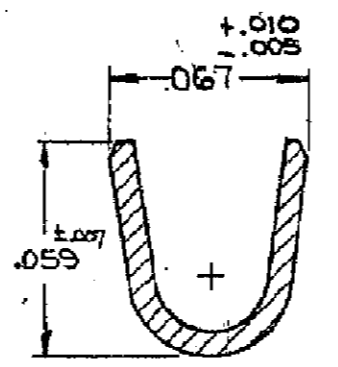
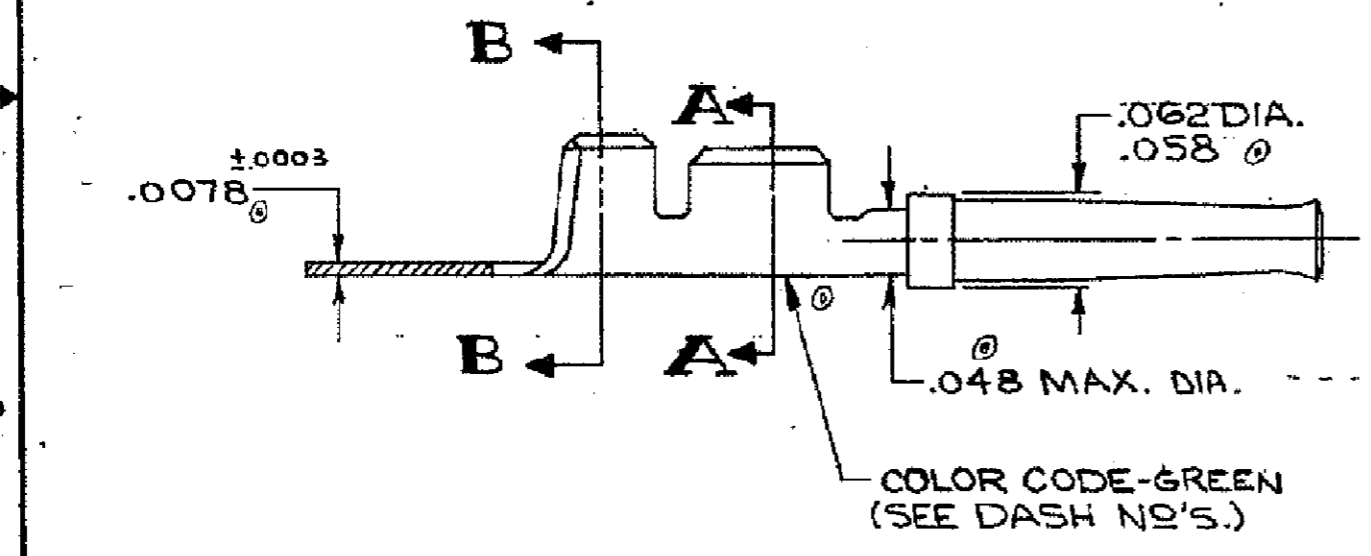
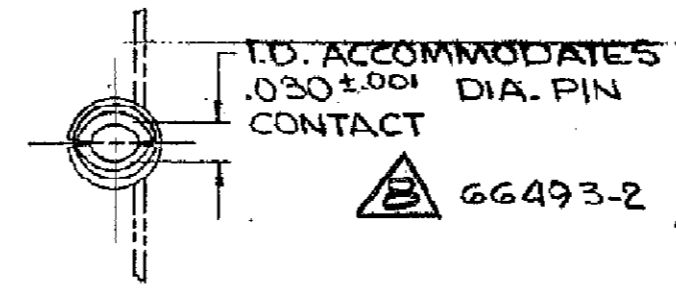
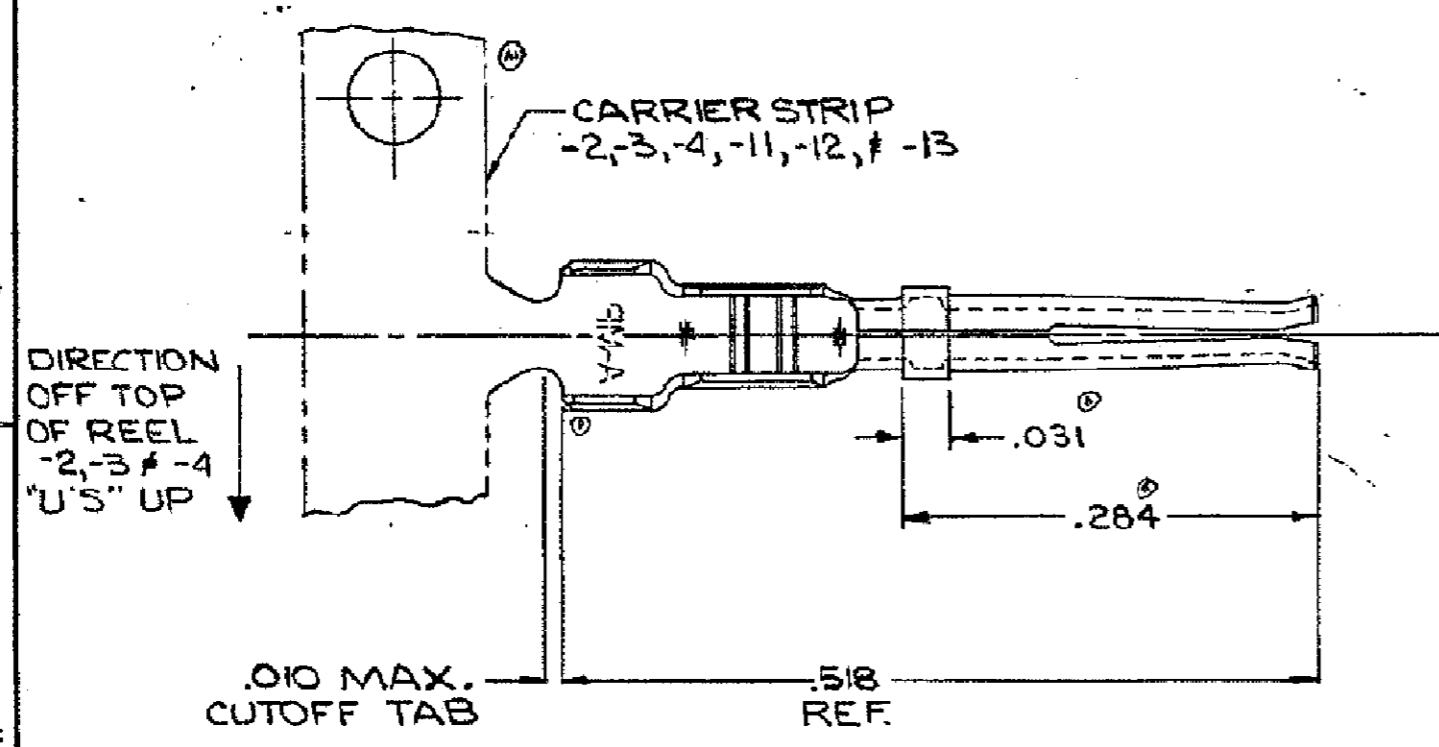


© 1972 BY AMP INCORPORATED. ALL RIGHTS RESERVED. AMP PRODUCTS COVERED BY PATENTS AND/OR PATENTS PENDING.

ZONE	LTR	DESCRIPTION	DATE	APPROVED
M		OBS -2 PER ECN BD6177	6-19-92	JS
N		OBS -8 PER EC 0020-781-95	7-18-94	JS
P		OBS -2 PER EC QUID-0225-00	7-28-00	JK
R		SUPERSEDED -9 PER EC QUID-0226-00	24SEP01	JG



- △ 66493-2 1. AS SHOWN.
2. PLATED .000050 GOLD OVER .000050 NICKEL.
- 66493-3 1. SAME AS -2 EXCEPT:
2. PLATED SEL. .000030 GOLD PER MIL-G-45204 FOR .150/100 LENGTH FROM MATING END WITH REMAINDER OF CONTACT GOLD FLASHED PER MIL-G-45204. ENTIRE CONTACT UNDERPLATED WITH .000050 NICKEL PER QQ-N-290.
- ~~△ 66493-4~~ 1. SAME AS -2 EXCEPT:
2. PLATED GOLD FLASH PER MIL-G-45204 OVER .000030 NICKEL PER QQ-N-290.
- △ 66493-8 1. SAME AS -2 EXCEPT:
2. LOOSE PIECE, COLOR CODED: GREEN.
- △ 66493-9 1. SAME AS -3 EXCEPT:
2. LOOSE PIECE, COLOR CODED: GREEN.
- ~~△ 66493-0~~ 1. SAME AS -4 EXCEPT:
2. LOOSE PIECE, COLOR CODED: GREEN.
- △ 1-66493-1 1. SAME AS -2 EXCEPT:
2. REVERSE REEL.
- △ 1-66493-2 1. SAME AS -3 EXCEPT:
2. REVERSE REEL.
- ~~△ 1-66493-3~~ 1. SAME AS -4 EXCEPT:
2. REVERSE REEL.

- 1. WIRE RANGE: 22-28 AWG.
- 2. INSULATION RANGE: .030-.040.
- 3. WILL ACCEPT (2) #28 GA. WIRES.
- 4. ENGAGEMENT FORCE MAX. OF 12 OZ. W/.031 DIA. PIN PER MS3197-22Y1 AND WITHDRAWAL FORCE OF 0.6 OZ. W/.029 DIA. PIN PER MS3197-22X1 AFTER CONDITIONING.
- △ -4 SUPERSEDED BY -3
- △ 1-0 SUPERSEDED BY -9
- △ 1-3 SUPERSEDED BY 1--2
- △ OBSOLETE PART NUMBER
- △ -9 SUPERSEDED BY -3

UNLESS OTHERWISE SPECIFIED, DIMENSIONS ARE IN INCHES. TOLERANCES ON DECIMALS ±.005 ANGLES ± .1	CONTRACT NO.	AMP INCORPORATED HARRISBURG, PENNSYLVANIA	
	DR M. Matthews 9/24/72	NAME CONTACT SOCKET, SIZE 22, OPEN BARREL	
MATERIAL COPPER ALLOY PER QQ-B-750	CHK C. Snyder 9/24/72	SIZE	CODE IDENT NO.
	APPR D. B. 9/26/72	C	00779
DSGN-APPR	OTHER APPR	NUMBER	66493
SCALE: 20-1		SHEET 1 OF 1	

CUSTOMER DRAWING