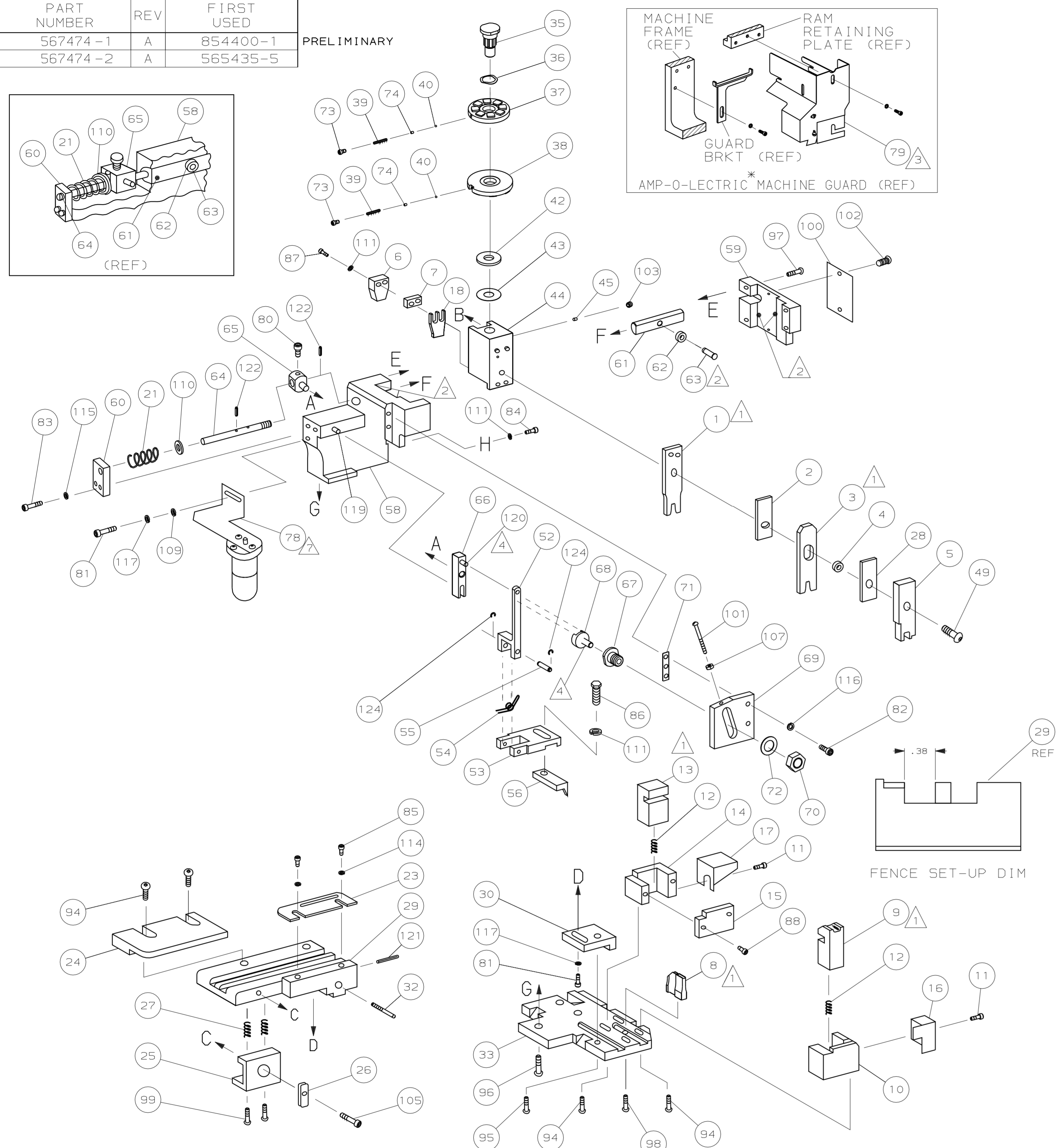
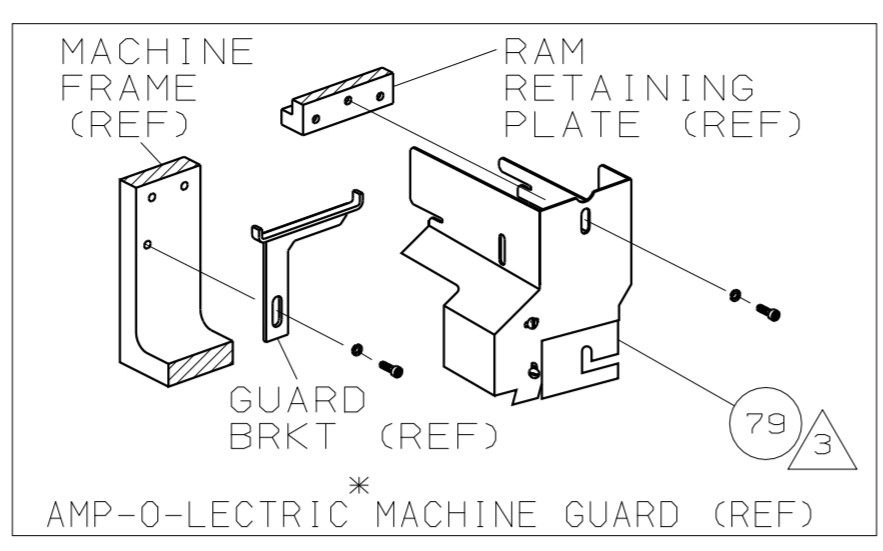
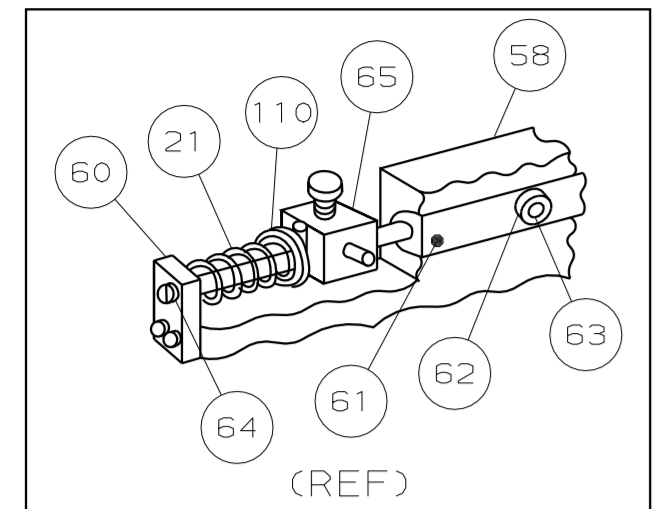


PART NUMBER	REV	FIRST USED
567474-1	A	854400-1
567474-2	A	565435-5

PRELIMINARY



TERMINAL NAME:
AMP MODU MOD IV RECP, STRIP

ITEM NO	DESCRIPTION	QTY
167020-1		
167020-2		
167021-1		
167021-2		
167021-3		
167022-1		
167022-2		
167022-3		
167050-1		
167050-2		
167050-3		
167050-4		
167051-1		
167051-4		
167051-3		
167051-2		

CRIMPING DATA

PAD LTR	CRIMP HEIGHT	WIRE SIZE
A	NOT	USED
B	.021 ±.002	28
C	.020 ±.002	30 OR 32
D	NOT	USED

CRIMP	SIZE	TYPE	RANGE
WIRE	.033	F	32-28
INSUL	.050	0	.020-.039

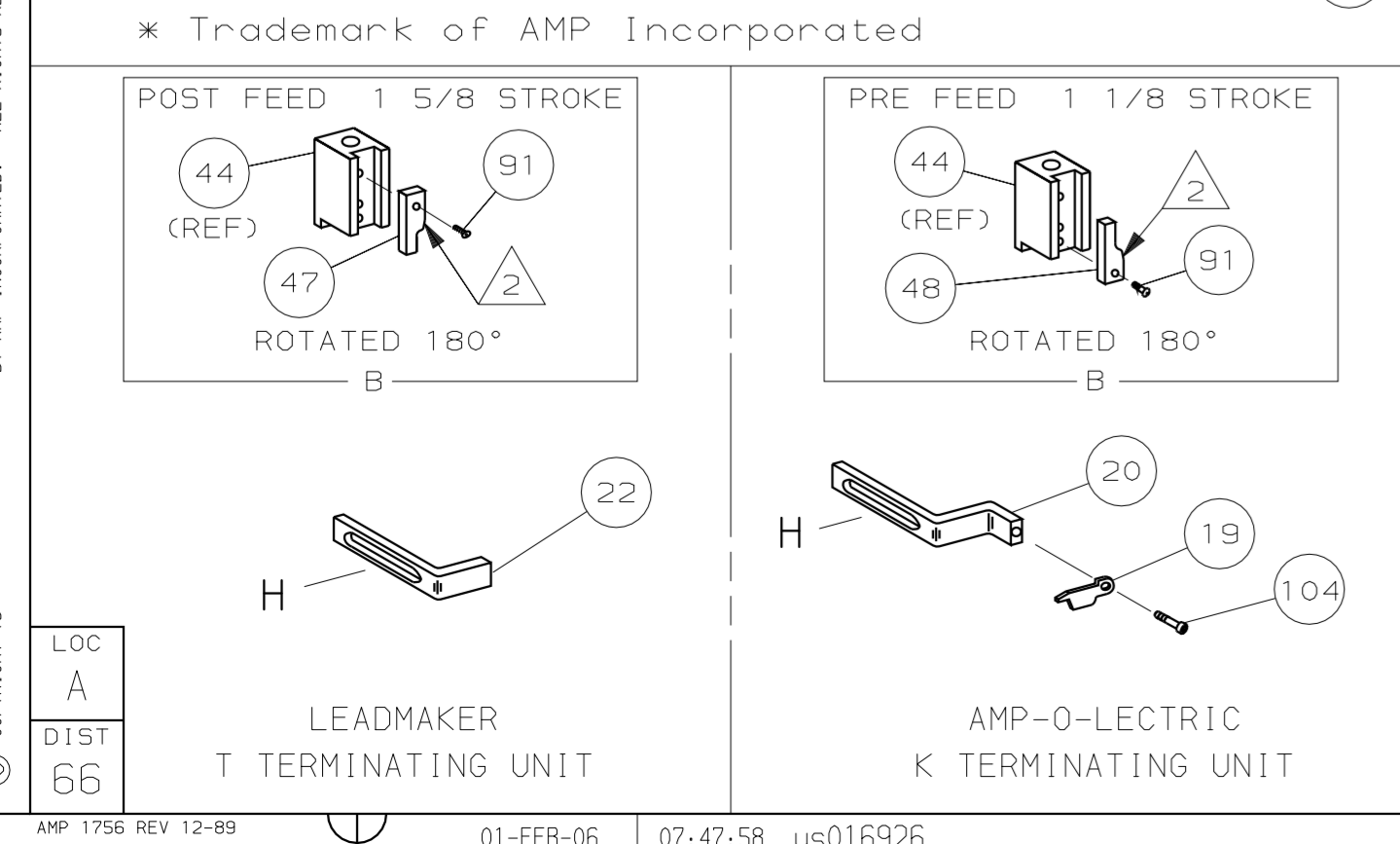
FEED	APPL INST	SET UP GAGE	LAYOUT
.213	A1 8040	458637-1	L1473

WIRE STRIP LENGTH -

ITEM NO	DESCRIPTION	QTY
-1	LEADMAKER	MECH-POST FEED
-2	AMP-O-LECTRIC	MECH-PRE FEED

REF	REF	QTY	DESCRIPTION	ITEM NO
REF	REF	-	A 21045-3 RING, RET "C" (Ø.187) FD FING PIN	124
REF	REF	-	A 5-21028-1 PIN, SLT SPR (Ø.125x.50) ADJ ROD	122
1	1	-	A 4-21028-0 PIN, SLT SPR (Ø.093x.75) ST GDE PL	121
REF	REF	-	A 1-21030-1 PIN, DOWEL (Ø.187x.50) LEVER	120
REF	REF	-	A 1-21030-6 PIN, DOWEL (Ø.187x1.25) HOUSING	119
				118
2	1	-	A 21024-5 WASHER, LOCK (#10) ADJ BLOCK	117
REF	REF	-	A 21024-5 WASHER, LOCK (#10) ADJ PLATE	116
REF	REF	-	A 21024-5 WASHER, LOCK (#10) FEED GDE ROD	115
2	2	-	A 21024-2 WASHER, LOCK (#4) FRONT STP GUIDE	114
				113
				112
4	4	-	A 21024-4 WASHER, LOCK (#8) STRIPPER	111
REF	REF	-	A 21899-4 WASHER, FLAT (Ø5/16) SCREW ADJ	110
1	REF	-	A 21899-2 WASHER, FLAT (NO. 10) LUB ASSY	109
				108
REF	REF	-	A 21018-5 NUT, HEX (6-32) FEED ADJ	107
				106
1	1	-	A 22353-8 SCR, SHLD (Ø.187x.25) DRAG LEVER	105
1	-	-	A 456567-1 SCR, SHLD (Ø.188x.12) STRIP	104
1	1	-	A 21009-2 SCR, SKT SET (1/4-20x.25 LW) RAM	103
2	2	-	A 21017-2 SCR, DRIVE (#2x.19) ID PLATE	102
REF	REF	-	A 6-23715-5 SCR, PAN HD (6-32x1.50) FEED ADJ	101
1	1	-	B 461264-1 PLATE, IDENTIFICATION	100
2	2	-	A 2-21002-9 SCR, BHC (10-32x.75) DRAG	99
1	1	-	A 22733-8 SCR, BHC (8-32x.38 LW) ANVIL	98
REF	REF	-	A 2-21002-9 SCR, BHC (10-32x.75) CAP	97
REF	REF	-	A 2-22733-8 SCR, BHC (1/4-20x.62) HOUSING	96
REF	REF	-	A 2-21002-7 SCR, BHC (10-32x.50) SG ADJ BLOCK	95
6	6	-	A 2-21002-2 SCR, BHC (8-32x.50) SHEAR	94
				93
				92
1	1	-	A 1-21002-7 SCR, BHC (6-32x.38) CAM	91
				90
				89
2	2	-	A 1-21000-8 SCR, SHC (6-32x.25) R SHEAR PLATE	88
2	2	-	A 2-21000-8 SCR, SHC (8-32x.59) REAR DEP	87
1	1	-	A 2-22603-0 SCR, HEX HD (8-32x.31) FEED FINGER	86
2	2	-	A 1-21000-3 SCR, SHC (4-40x.25) F ST GUIDE	85
1	1	-	A 2-21000-7 SCR, SHC (8-32x.50) STRIPPER	84
REF	REF	-	A 3-21000-7 SCR, SHC (10-32x.75) FEED ROD GD	83
REF	REF	-	A 3-21000-6 SCR, SHC (10-32x.62) FD ADJ BLK	82
2	1	-	A 3-21000-4 SCR, SHC (10-32x.38) SG ADJ BL	81
REF	REF	-	A 3-21000-4 SCR, SHC (10-32x.38) PIVOT BLK	80
REF	-	-	B 455749-1 GUARD, WINDOW	79
1	REF	-	C 1-465184-0 LUBRICATOR ASSY	78
				77
				76
				75
2	2	-	A 690603-1 SPRING, ASSIST	74
2	2	-	A 23030-1 SCR, SHC (6-32x.25) CP DISC	73
REF	REF	-	A 458109-1 WASHER, SPECIAL	72
REF	REF	-	A 690517-1 SPACER	71

REF	REF	QTY	DESCRIPTION	ITEM NO
REF	REF	-	B 22594-8 NUT, HEX (1/2-20)	70
REF	REF	-	B 240628-1 PLATE, ADJUSTMENT	69
REF	REF	-	B 240626-1 SHAFT, PIVOT	68
REF	REF	-	B 240633-1 BUSHING	67
REF	REF	-	A 455680-1 LEVER, INTERMEDIATE	66
REF	REF	-	B 240629-1 BLOCK, PIVOT	65
REF	REF	-	A 240632-2 SCREW, ADJ FEED ROD	64
REF	REF	-	B 240659-3 PIN, CAM ROLLER	63
REF	REF	-	B 240658-1 ROLLER, CAM	62
REF	REF	-	B 454398-2 ROD, FEED	61
REF	REF	-	A 454178-1 GUIDE, FEED ROD	60
REF	REF	-	C 454220-1 CAP, RAM	59
REF	REF	-	D 454485-1 HOUSING	58
				57
1	1	-	B 690542-2 PAWL, FEED	56
REF	REF	-	B 240624-1 PIN, FEED FINGER	55
REF	REF	-	B 691499-1 SPRING, FEED FINGER	54
REF	REF	-	B 690541-1 HOLDER, FEED FINGER	53
REF	REF	-	A 455679-1 LEVER, TERMINAL FEED ARM	52
				51
				50
1	1	-	A 7-21002-9 BOLT, CRIMPER (5/16x1.00)	49
1	-	-	B 690602-5 CAM, PRE-FEED 1 1/8 ST	48
-	1	-	B 690501-4 CAM, POST-FEED 1 5/8 ST	47
1	1	-	B 459456-1 APPLICATOR, BASIC (SUBASSY)	46
1	1	-	A 690191-1 PLUG, NYLON	45
1	1	-	C 455673-1 RAM	44
1	1	-	A 690125-1 WASHER, LAMINATED	43
1	1	-	A 690124-1 WASHER, RAM	42
				41
2	2	-	A 23241-6 BALL, STEEL	40
2	2	-	A 690170-1 SPRING, COMPRESSION	39
1	1	-	C 690142-1 DISC, INSULATION	38
1	1	-	C 4-692155-0 DISC, WIRE	37
1	1	-	A 22480-5 WASHER, SPRING	36
1	1	-	B 690212-1 POST, RAM	35
				34
REF	REF	-	D 455675-1 PLATE, BASE	33
1	1	-	A 690432-3 SCREW, ADJUSTMENT	32
				31
REF	REF	-	B 455689-1 BLOCK, STRIP GUIDE ADJ	30
1	1	-	C 843869-3 PLATE, STRIP GUIDE	29
1	1	-	C 455888-5 SPACER, FRONT SHEAR DEP	28
2	2	-	A 1-22284-0 SPRING, DRAG	27
1	1	-	B 240793-1 LEVER, DRAG RELEASE	26
1	1	-	B 240792-1 DRAG, TERMINAL	25
1	1	-	D 9-690504-9 GUIDE, STRIP (REAR)	24
1	1	-	A 690438-1 GUIDE, STRIP (FRONT)	23
-	1	-	B 690472-2 STRIPPER	22
REF	REF	-	A 4-22284-9 SPRING, FEED RETURN	21
1	-	-	B 458950-1 STRIPPER, WIRE STOP	20
1	-	-	B 458949-1 STRIPPER	19
1	1	-	B 690518-1 HOLD DOWN	18
1	1	-	A 691668-1 GUARD, CHIP (REAR)	17
1	1	-	B 691667-1 GUARD, CHIP (FRONT)	16
1	1	-	B 1-690464-0 PLATE, SHEAR (REAR)	15
1	1	-	B 690462-1 HOLDER, SHEAR (REAR)	14
1	1	-	C 1-690463-1 SHEAR, FLOAT (REAR)	13
2	2	-	A 5-22280-0 SPRING, SHEAR	12
2	2	-	B 690461-1 STOP, SHEAR	11
1	1	-	C 690459-1 HOLDER, SHEAR (FRONT)	10
1	1	-	C 462006-1 SHEAR, FLOAT (FRONT)	9
1	1	-	C 5-683403-8 ANVIL	8
1	1	-	C 3-240641-7 SPACER, DEPRESSOR (REAR)	7
1	1	-	A 690468-2 DEPRESSOR, SHEAR (REAR)	6
1	1	-	C 2-455889-9 DEPRESSOR, SHEAR (FRONT)	5
1	1	-	B 238011-7 SPACER, BLOCK CRIMPER	4
1	1	-	C 5-683454-4 CRIMPER, INSULATION	3
1	1	-	C 455888-2 SPACER, CRIMPER	2
1	1	-	C 456400-9 CRIMPER, WIRE	1



- 1 RECOMMENDED SPARE PARTS.
- 2 GREASE LIGHTLY.
- 3 GUARD MUST BE IN PLACE WHEN OPERATING APPLICATOR IN AMP-O-LECTRIC MACHINE.
- 4 LUBRICATE DAILY USING NO. 20 MACHINE OIL.
- 5. ITEMS WITH QTY OF REF SPECIFIED (EXCEPT ITEM 79) ARE USED ON ITEM 46.
- 6 CUT TO LENGTH AT ASSY
- 7 LURBICATION REQUIRED WHEN USING GOLD PLATED TERMINALS.

LOC A
DIST 66
COPYRIGHT 19

QTY	REF	U/M	DWG SIZE	PART NO	DESCRIPTION	ITEM NO
-2	-1					

QTY	REF	U/M	DWG SIZE	PART NO	DESCRIPTION	ITEM NO
-2	-1					

DIMENSIONS IN INCHES. DO NOT SCALE PRINT. TOLERANCES UNLESS OTHERWISE SPECIFIED:
 2 PLC DEC ±.03
 3 PLC DEC ±.
 4 PLC DEC ±.
 ANGLES ±.
 SURF TEXTURE: ✓
 REMOVE BURRS, BREAK SHARP EDGES R.015 MAX

MATL - HT TR - FIN -
 DR P.MATHIAS 11/13/92 APP -
 CHK - REL -
 NAME SIDE FEED HDM APPLICATOR MACHINE REF MINI APPL
 SCALE - DWG NO 567474 SHEET 1 OF 1 REV A1
 CUSTOMER AND ASSEMBLY DRAWING RESTRICTED TO

THIS DRAWING IS A CONTROLLED DOCUMENT.

THIS DRAWING IS UNRELEASABLE. RELEASE FOR PUBLICATION BY AMP INCORPORATED. ALL RIGHTS RESERVED.

567474