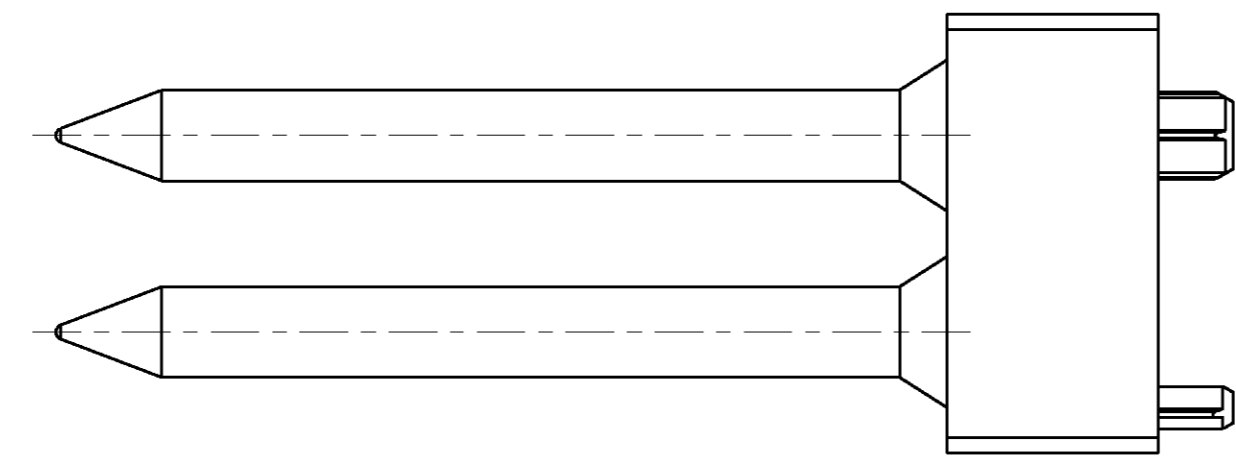
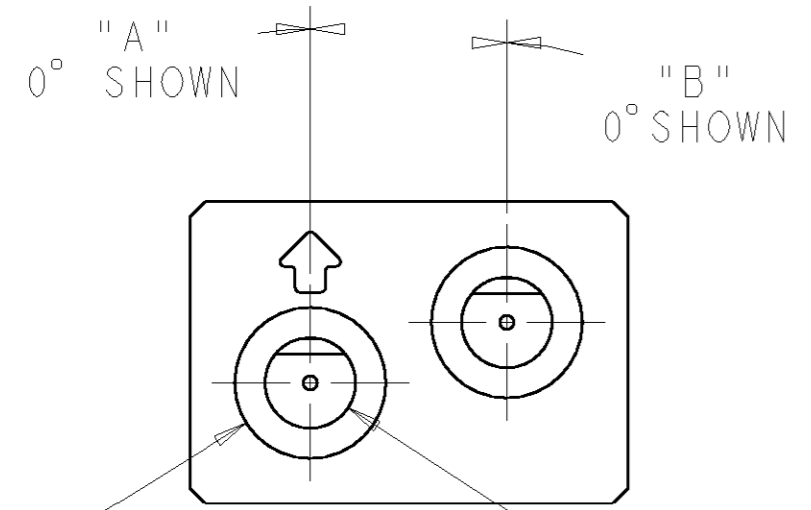
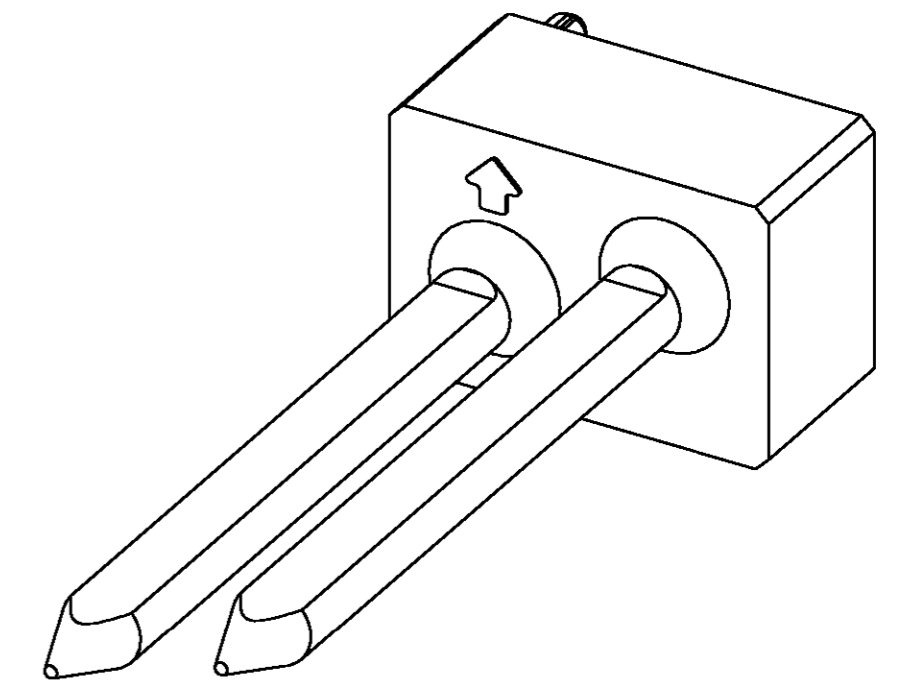
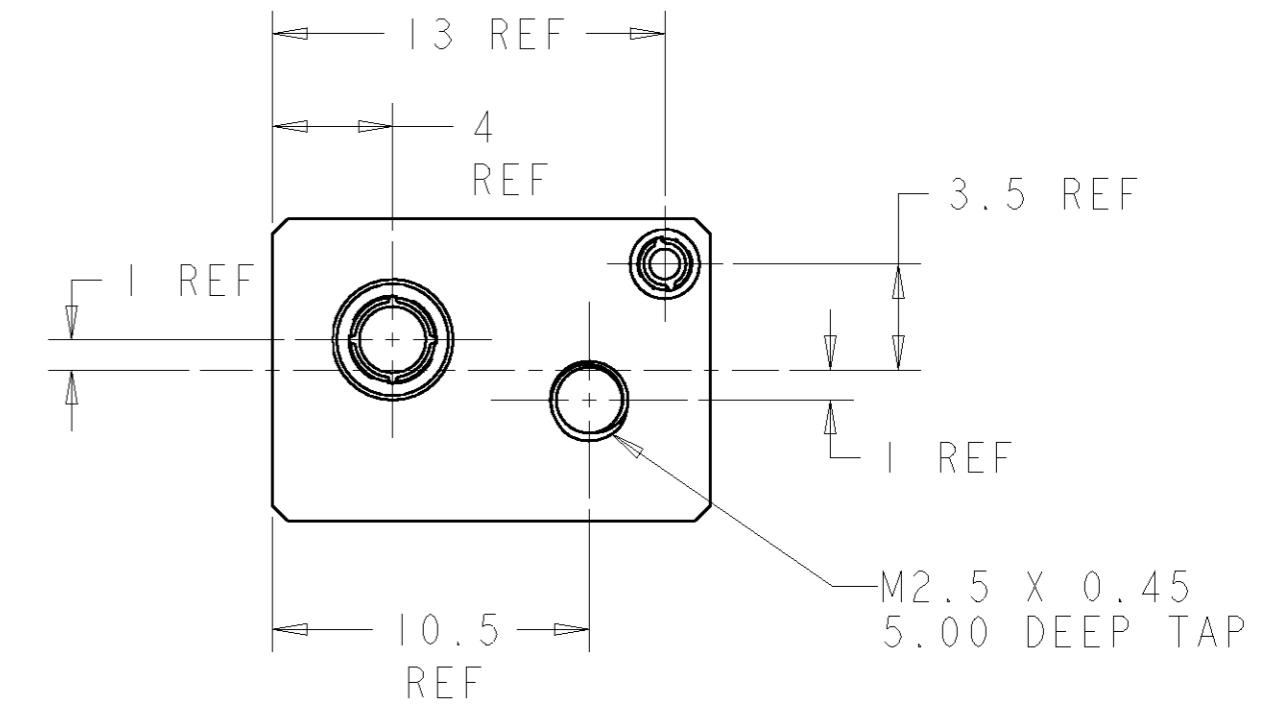
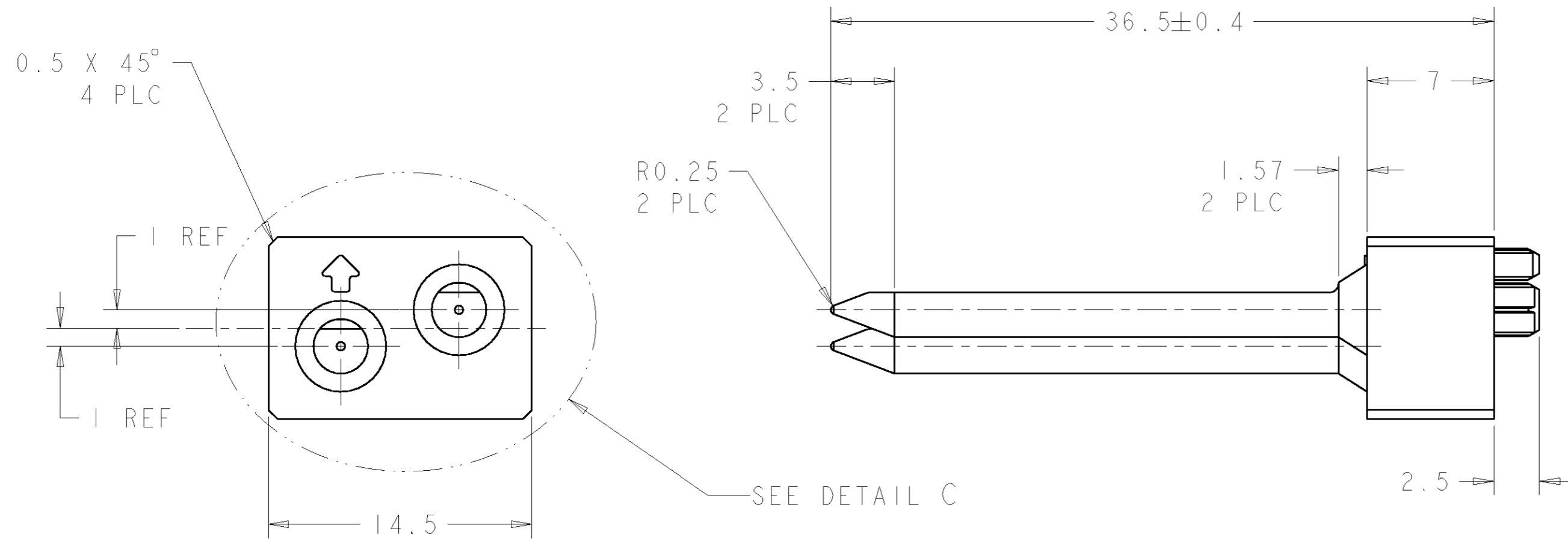
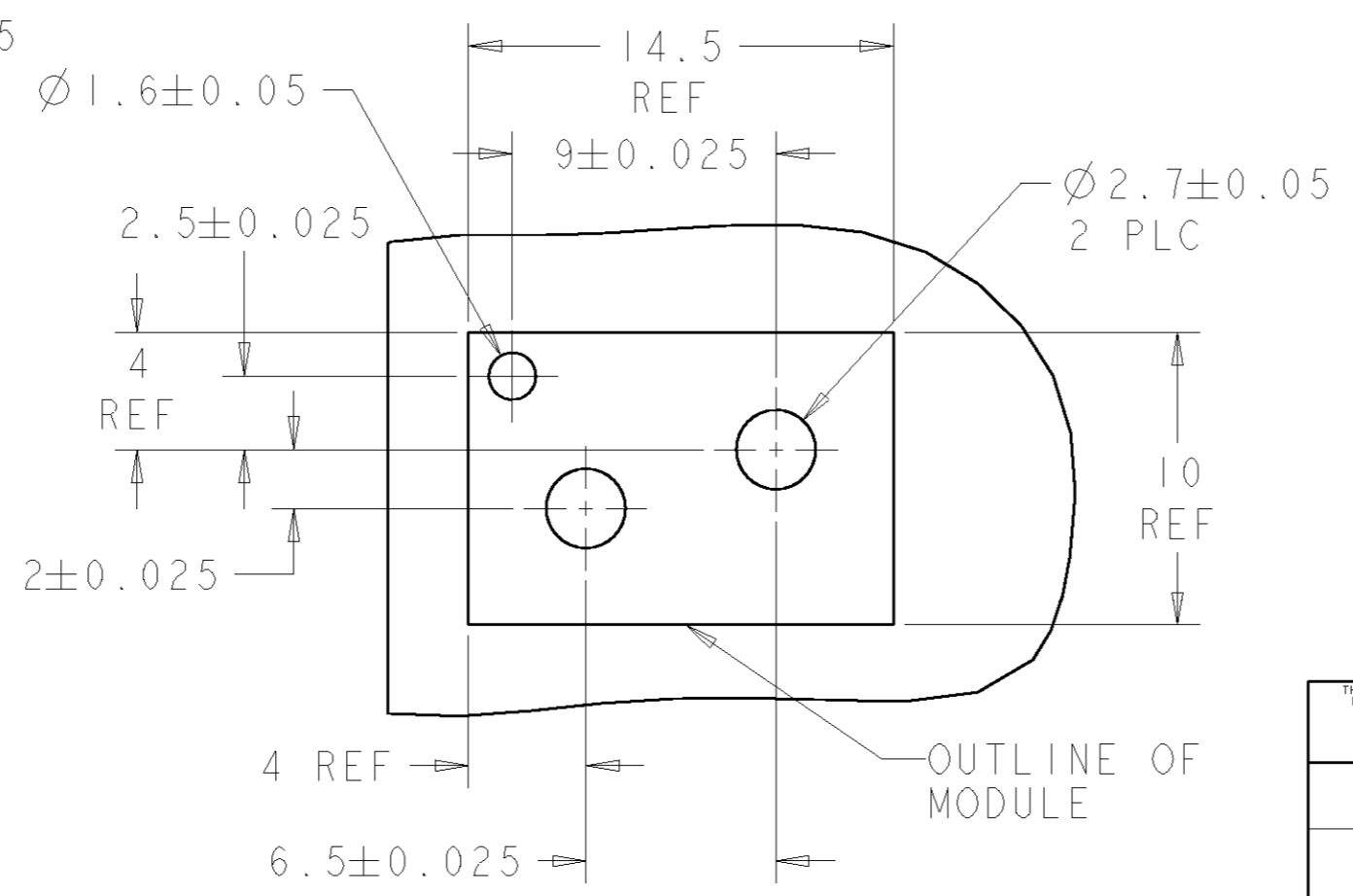


THIS DRAWING IS UNPUBLISHED. RELEASED FOR PUBLICATION 20
 © COPYRIGHT 20 BY TYCO ELECTRONICS CORPORATION. ALL RIGHTS RESERVED.

LOC	DIST	REVISIONS					
AD	00	P	LTR	DESCRIPTION	DATE	DWN	APVD
		0		REV PER EC 0S12-0230-04	14SEP2004	BC	RP



DETAIL C
 SCALE 4:1
 1-1469388-1 SHOWN



NOTES:
 1. RECOMMENDED MOUNTING HARDWARE- M2.5 X 0.45 SCREW,
 4.0MM LONG UP TO 2.9 MM THICK PCB
 6.0MM LONG FOR 3.0 TO 4.0 MM THICK PCB,
 8.0MM FOR 4.1 TO 6.0MM THICK PCB,
 10.0MM FOR 6.1 TO 8.0MM THICK PCB.
 (HARDWARE NOT SUPPLIED WITH PART NUMBER)

270°	90°	3-1469388-7
0°	0°	1-1469388-1
"B"	"A"	PART NUMBER

3-1469388-7

THIS DRAWING IS A CONTROLLED DOCUMENT FOR TYCO ELECTRONICS CORPORATION IT IS SUBJECT TO CHANGE AND THE CONTROLLING ENGINEERING ORGANIZATION SHOULD BE CONTACTED FOR THE LATEST REVISION.		DWN D. SZCZESNY 17DEC02	tyco Electronics		Tyco Electronics Harrisburg, PA 17105-3608	
DIMENSIONS: mm		CHK R. PATTERSON 14SEP04	NAME ATCA GUIDE MODULE (MID-PLANE - A2)			
TOLERANCES UNLESS OTHERWISE SPECIFIED: 0 PLC ±0.2 1 PLC ±0.2 2 PLC ±0.13 3 PLC ±0.050 4 PLC ±0.0200 ANGLES ±0.5		APVD R. PATTERSON 14SEP04	PRODUCT SPEC -			
MATERIAL ZAMAC 3		FINISH NICKEL	APPLICATION SPEC -		WEIGHT -	RESTRICTED TO -
CUSTOMER DRAWING			SIZE A2	CAGE CODE 00779	DRAWING NO 1469388	SCALE 3:1
			SHEET 1		OF 1	
			REV 0			