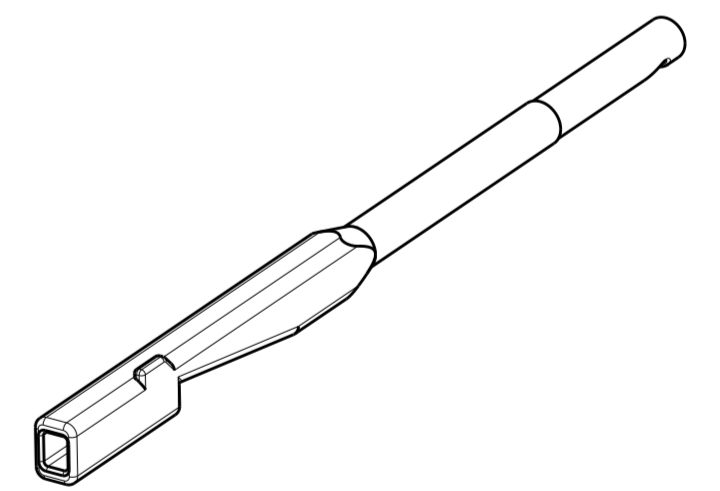
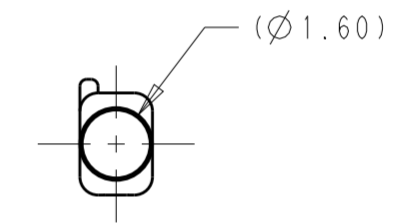
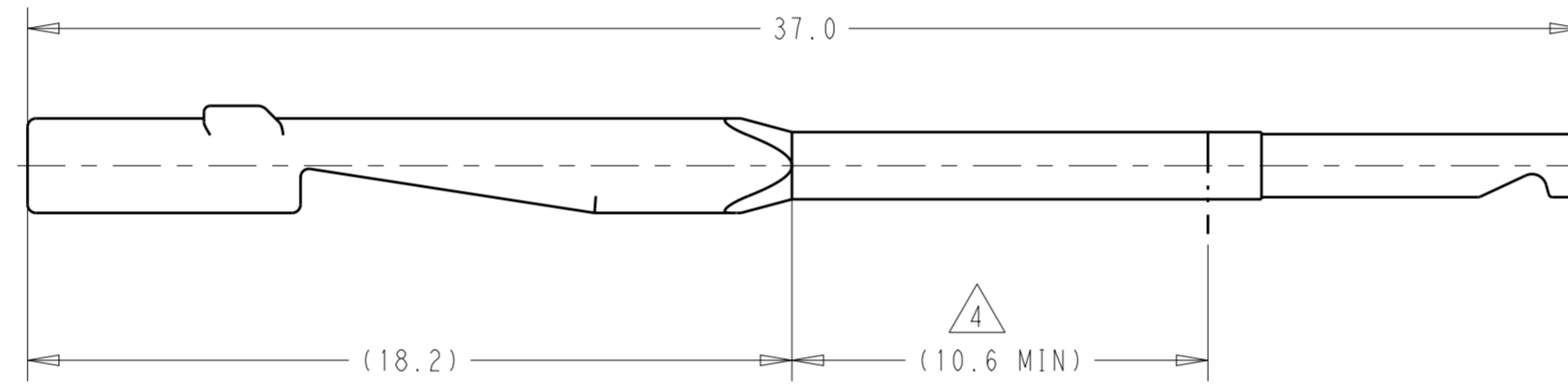
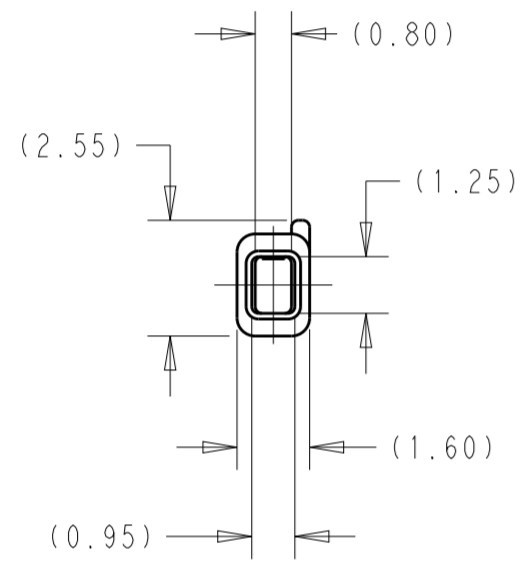


P	LTR	DESCRIPTION	DATE	DWN	APVD
A		REVISED PER ECO-20-015752	06NOV2020	AB	DW

1. PART NUMBER 2373227-1 AS SHOWN ON DRAWING.
2. MATERIAL: PBT, 15% GLASS FILLED.  
COLOR: SEE TABLE
3. NOTE DELETED.
4. SEALING SURFACE IN THIS AREA.



ISO VIEW  
SCALE 4:1

NATURAL	CAVITY PLUG, MAT SEAL 0.64 GENERATION Y, FEMALE	2373227-1
COLOR	DESCRIPTION	PART NO

THIS DRAWING IS A CONTROLLED DOCUMENT.		DWN A. BETGAR 28 JUL 2020	TE Connectivity	
		CHK D. WISSLER 29 JUL 2020		
		APVD D. BROWN 30 JUL 2020	NAME CAVITY PLUG, MAT SEAL, 0.64 GENERATION Y, FEMALE	
DIMENSIONS: mm		PRODUCT SPEC		SIZE
TOLERANCES UNLESS OTHERWISE SPECIFIED:		APPLICATION SPEC		CAGE CODE
0 PLC ±	±0.4	WEIGHT		DRAWING NO
1 PLC ±	±0.20	CUSTOMER DRAWING		RESTRICTED TO
2 PLC ±	±	SCALE 6:1		SHEET 1 OF 1
3 PLC ±	±	SCALE 6:1		REV A
4 PLC ±	±1°	SCALE 6:1		REV A
ANGLES ±	±1°	SCALE 6:1		REV A
FINISH	-	SCALE 6:1		REV A
MATERIAL	-	SCALE 6:1		REV A
	-	SCALE 6:1		REV A