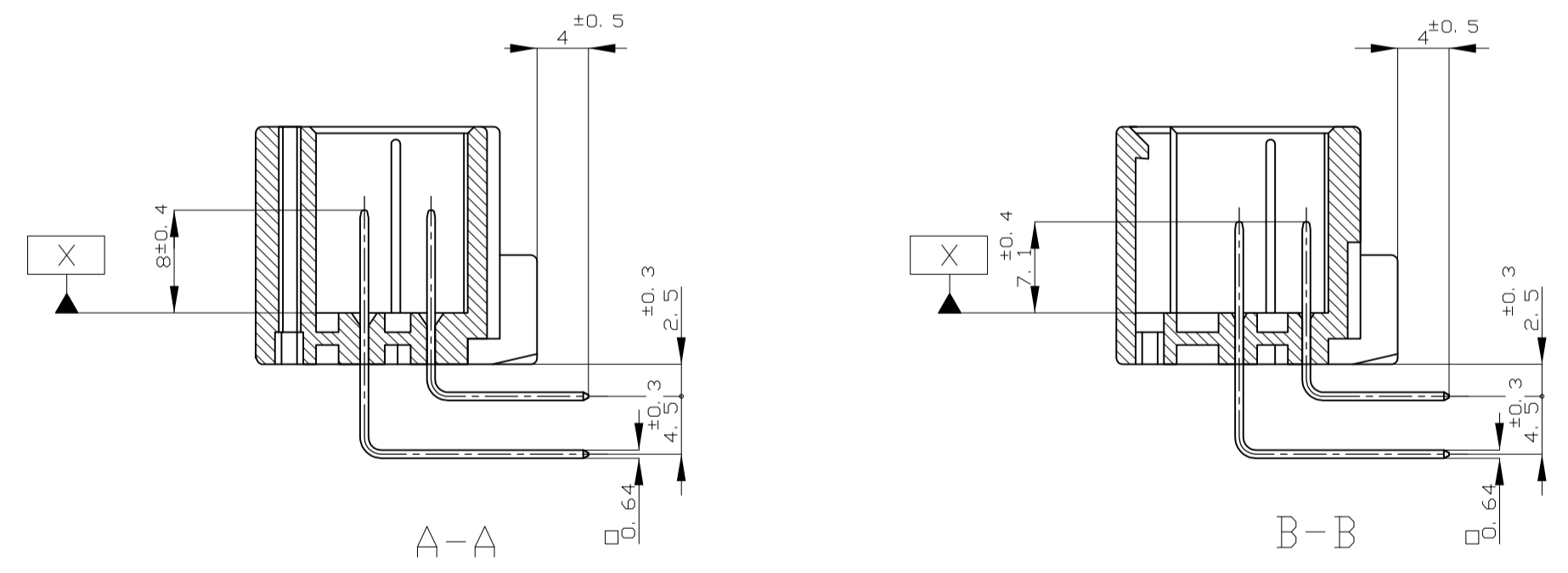


◀ MOUNTING DIMENSIONS FOR P. C. BOARD, TOLERANCE ± 0.1 ▶
 プリント基板取付寸法図
 一般公差: ± 0.1
 ◀ 公差は累積しないこと ▶
 ◀ NON ACCUMULATE TOLERANCE ▶

- NOTES
- △ MUST BE KEPT BETWEEN [X] AND 2
 - 2 THE MATING PLUG HSG. PART NUMBER; 174516, 174515, 174514, 917992, 917989, 917981
 - 3 RECOMMENDED MOUNTING SCREW; 3mm DIA, 6mm LENGTH (MAX.) PAN HEAD, CLASS 2 TAPPING SCREW SPECIFIED IN JIS B1115, B1122
 - ◁ TIGHTENING TORQUE; 0.4N.m (4Kg-cm) MAX. ▷
 - 4 APPLICABLE PRODUCT SPEC NO. 108-5280, 108-5342
 - △ CIRCUT NUMBER; SEE FIG. 1
 - POWER CIRCUIT NO. ① ~ ⑬
 - SIGNAL CIRCUIT NO. ⑰ ~ ⑥④
 - △ MARKING FOR DISCERNMENT OF THE CONTACT FINISH



- 注記
- △ [X] 面から2mmの範囲で測定
 - 2. 嵌合相手ハウジング型 174516, 174515, 174514, 917992, 917989, 917981
 - 3. 推奨取付ねじ; JIS B1115, B1122 タッピンねじ, なべ2種
呼び径3, 長さ6mm以下 (締付トルク: 0.4N.m(4Kg-cm)以下)
 - 4. 適用製品規格番号; 108-5280, 108-5342
 - △ 回路番号; FIG.1参照のこと
パワー回路; ① ~ ⑬
シグナル回路; ⑰ ~ ⑥④
 - △ コンタクト仕上識別マーク

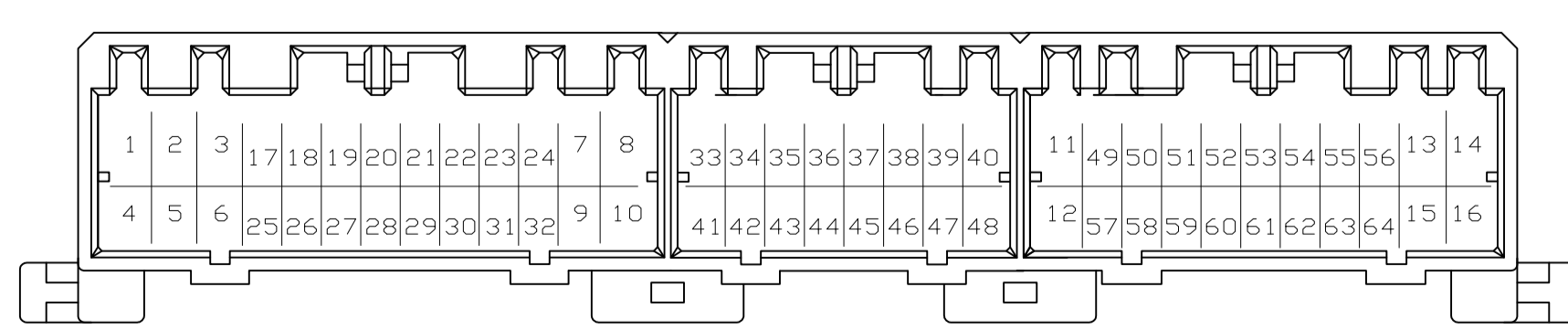


FIG.1

OBsolete

NO.	MARKING	FINISH OF CONTACT	POWER CIRCUIT NO.	SIGNAL CIRCUIT NO.	HOUSING COLOR	P/N
59	---	PRE-TIN x 54 SELECTIVE TIN (MATT) SELECTIVE GOLD x 10	⑭ - ⑰	⑰ - ⑥④	GRAY 灰色	9-5178764-6
55	---	PRE-TIN x 44 SELECTIVE TIN (MATT) SELECTIVE GOLD x 24	---	⑰-⑲ ⑳-㉔ ㉕-⑶	YELLOW 黄色	5-5178764-7
54	---	PRE-TIN x 42 SELECTIVE TIN (MATT) SELECTIVE GOLD x 22	---	⑳ ㉑ ㉒-㉔ ㉕-⑶	YELLOW 黄色	4-5178764-7
53	---	PRE-TIN x 12 SELECTIVE TIN (MATT) SELECTIVE GOLD x 52	⑦ - ⑱	⑰ - ⑥④	GRAY 灰色	3-5178764-6
52	---	PRE-TIN x 16 SELECTIVE TIN (MATT) SELECTIVE GOLD x 48	---	⑰ - ⑥④	GRAY 灰色	2-5178764-6
52	---	PRE-TIN x 16 SELECTIVE TIN (MATT) SELECTIVE GOLD x 48	---	⑰ - ⑥④	NATURAL 自然色	2-5178764-1
51	---	PRE-TIN x 16 SELECTIVE TIN (MATT) SELECTIVE GOLD x 48	① - ⑱	⑰ - ⑥④	GRAY 灰色	1-5178764-6
9	---	PRE-TIN x 55 TIN-LEAD SELECTIVE GOLD x 9	⑭ - ⑰	⑶ - ⑥③	NATURAL 自然色	9-178764-9
9	---	PRE-TIN x 54 TIN-LEAD SELECTIVE GOLD x 10	⑭ - ⑰	⑶ - ⑥④	GRAY 灰色	9-178764-6
8	---	PRE-TIN x 52 TIN-LEAD SELECTIVE GOLD x 12	---	⑳ ㉑ ㉒-㉔ ㉕-⑶	YELLOW 黄色	8-178764-7
7	---	PRE-TIN x 55 TIN-LEAD SELECTIVE GOLD x 16	---	⑳ ㉑ ㉒-㉔ ㉕-⑶	YELLOW 黄色	7-178764-7
6	---	PRE-TIN x 55 TIN-LEAD SELECTIVE GOLD x 9	⑭ - ⑰	⑶ - ⑥③	NATURAL 自然色	6-178764-1
5	---	PRE-TIN x 40 TIN-LEAD SELECTIVE GOLD x 24	---	⑰-⑲ ⑳-㉔ ㉕-⑶	YELLOW 黄色	5-178764-7
4	---	PRE-TIN x 42 TIN-LEAD SELECTIVE GOLD x 22	---	⑳ ㉑ ㉒-㉔ ㉕-⑶	YELLOW 黄色	4-178764-7
3	---	PRE-TIN x 12 TIN-LEAD SELECTIVE GOLD x 52	⑦ - ⑱	⑰ - ⑥④	YELLOW 黄色	3-178764-7
3	---	PRE-TIN x 12 TIN-LEAD SELECTIVE GOLD x 52	⑦ - ⑱	⑰ - ⑥④	GRAY 灰色	3-178764-6
2	---	PRE-TIN x 16 TIN-LEAD SELECTIVE GOLD x 48	---	⑰ - ⑥④	YELLOW 黄色	2-178764-7
2	---	PRE-TIN x 16 TIN-LEAD SELECTIVE GOLD x 48	---	⑰ - ⑥④	GRAY 灰色	2-178764-6
2	---	PRE-TIN x 16 TIN-LEAD SELECTIVE GOLD x 48	---	⑰ - ⑥④	NATURAL 自然色	2-178764-1
1	---	PRE-TIN x 64 TIN-LEAD SELECTIVE GOLD x 64	① - ⑱	⑰ - ⑥④	YELLOW 黄色	1-178764-7
1	---	PRE-TIN x 64 TIN-LEAD SELECTIVE GOLD x 64	① - ⑱	⑰ - ⑥④	GRAY 灰色	1-178764-6
0	---	PRE-TIN x 64	---	---	YELLOW 黄色	178764-7
A	⑬ ⑭	PRE-TIN x 62	---	---	NATURAL 自然色	178764-2
0	---	PRE-TIN x 64	---	---	NATURAL 自然色	178764-1

THIS DRAWING IS A CONTROLLED DOCUMENT.

DIMENSIONS: mm
 TOLERANCES UNLESS OTHERWISE SPECIFIED:
 0 PL ±
 1 PL ±
 2 PL ±
 3 PL ±
 4 PL ±
 ANGLES ±

MATERIAL: HOUSING: PBT; CONTACT: BRASS

FINISH: 仕上

SEE TABLE

THIS DRAWING IS A CONTROLLED DOCUMENT.

DWG: T. SHINOHARA
 CHK: K. BETSUJI
 APVD: K. BETSUJI
 PRODUCT SPEC: 製品規格
 APPLICATION SPEC: 取付適用規格

SIZE: A1
 CASE CODE: 00779
 DRAWING NO: 178764
 RESTRICTED TO: 〃

TE Connectivity

64POS CAP HOUSING ASSY
 .040/.070 SERIES HYBRID I/O CONN.

SCALE: 2:1
 SHEET: 1 of 1
 REV: D6