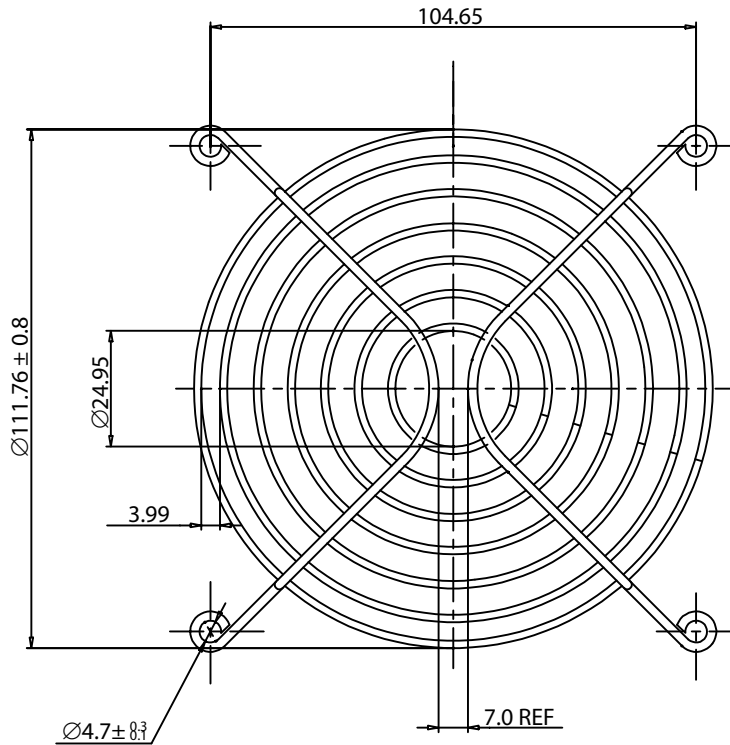


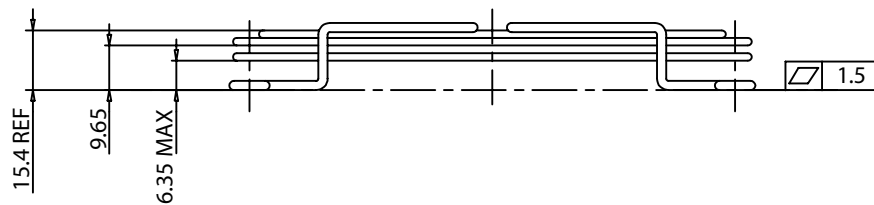
THESE DRAWINGS ARE THE PROPERTY OF QUALTEK ELECTRONICS AND NOT TO BE REPRODUCED FOR OR COMMUNICATED TO A THIRD PARTY WITHOUT THE EXPRESS WRITTEN PERMISSION OF AN OFFICER OF QUALTEK ELECTRONICS.

REVISION			
REV.	DESCRIPTION	DATE	APPROVED
A	RoHS Compliancy	06-01-06	DP



NOTES:

1. MATERIAL: C1008 BRIGHT BASIC WIRE
2. FINISH: BRIGHT NICKEL CHROME PLATING
3. 0.35 ± 0.05 DEPTH OF SERRATIONS ON WIRE
4. RING: $\varnothing 1.6 \pm 0.1\text{mm}$
RIB: $\varnothing 2.0 \pm 0.1\text{mm}$
5. GENERAL TOLERANCE UNLESS NOTED IS $\pm 0.76\text{mm}$
6. RoHS COMPLIANT



CONTROLLED

Dim range (mm)		Tolerance +/- (mm)			Qualtek Electronics Corp. FAN-S DIVISION		
0-5	0.1	Part Number: 08124		RoHS Compliant			
5-16	0.15	Description: WIRE FORM FAN GUARD (120mm)					
16-64	0.2	UNIT: mm		REV: A			
64-250	0.4	Drawn / Date		Checked / Date		Approved / Date	
250-1000	0.5	B. ZHANG 09-14-04		09-14-04		JJH / 09-14-04	
1000-1500	1.0						