

CobotPump

ECBPI 12 24V-DC M12-8

Part no...:10.03.01.00314

<https://www.schmalz.com/10.03.01.00314>

Home > Vacuum Technology for Robotics > Vacuum Generators > Vacuum Generators ECBPI > ECBPI 12 24V-DC M12-8

CobotPump for electrical vacuum generation for collaborative robots



Suction rate (max.): 12 l/min

Rated power: 13 W

Voltage DC: 24V - DC

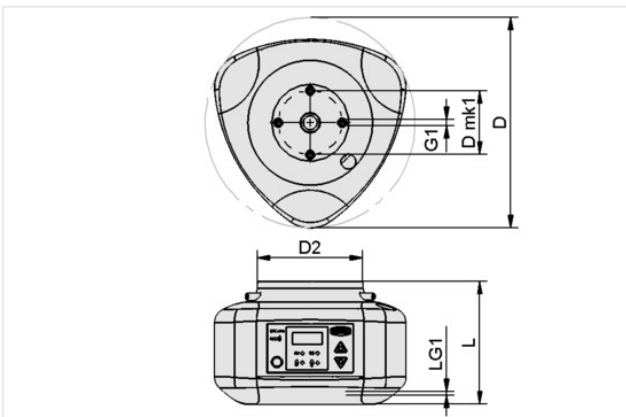
Rated current: 0.6 A

Electrical connection: Male connect M12, 8 pol

Max. vacuum: 750 mbar

Operating temperature: 5 ... 45 °C

Design Data



Attribute	Value
D	151.50 mm
D mk1	46 mm
D2	76 mm
G1	M4-F
LG1	6 mm
L	88.60 mm

Technical Data

Attribute	Value
Suction rate (max.)	12 l/min
Rated power	13 W
Voltage DC	24V - DC
Rated current	0.60 A
Operating temperature	5 ... 45 °C
Weight	775 g
Product family	ECBPI

Contact Schmalz

Schmalz Inc. | 5850 Oak Forest Drive, Raleigh, NC 27616, United States | +1 (919) 713-0880 | schmalz.us@schmalz.com

CobotPump

ECBPi 12 24V-DC M12-8

Part no...:10.03.01.00314

<https://www.schmalz.com/10.03.01.00314>

Accessories



RFBP 50 50 BA SPB2

Part no...:10.01.45.00096

Length L: 50 mm

Width B: 50 mm

Connection: Bayonet connection

Suct. cups: Bellows suct. cup SPB2



RFBP 100 58 BA SPB2

Part no...:10.01.45.00091

Length L: 100 mm

Width B: 58 mm

Connection: Bayonet connection

Suct. cups: Bellows suct. cup SPB2



RFBP 100 58 BA O10

Part no...:10.01.45.00092

Length L: 100 mm

Width B: 58 mm

Connection: Bayonet connection

Material type: Foam O, Height 10 mm

Contact Schmalz

Schmalz Inc. | 5850 Oak Forest Drive, Raleigh, NC 27616, United States | +1 (919) 713-0880 | schmalz.us@schmalz.com

CobotPump

ECBPi 12 24V-DC M12-8

Part no...:10.03.01.00314

<https://www.schmalz.com/10.03.01.00314>



RFBP 120 120 BA SPB2

Part no...:10.01.45.00085

Length L: 120 mm

Width B: 120 mm

Connection: Bayonet connection

Suct. cups: Bellows suct. cup SPB2



RFBP 120 120 BA O10

Part no...:10.01.45.00086

Length L: 120 mm

Width B: 120 mm

Connection: Bayonet connection

Material type: Foam O, Height 10 mm

Product recommendations



ROB-SET ECBPi UR

Part no...:10.03.01.00504

Construction use: CobotPump

for: Universal Robots

Type: 3,5,10

Contact Schmalz

Schmalz Inc. | 5850 Oak Forest Drive, Raleigh, NC 27616, United States | +1 (919) 713-0880 | schmalz.us@schmalz.com

CobotPump

ECBPI 12 24V-DC M12-8

Part no...:10.03.01.00314

<https://www.schmalz.com/10.03.01.00314>



ROB-SET ECBPI FANUC

Part no...:10.03.01.00505

Construction use: CobotPump

for: Fanuc

Type: CR-4iA, CR-7iA



ROB-SET ECBPI KUKA

Part no...:10.03.01.00506

Construction use: CobotPump

for: Kuka

Type: iiwa 7,14



ROB-SET ECBPI YASKAWA

Part no...:10.03.01.00509

Construction use: CobotPump

for: Yaskawa

Type: HC10DT (<2022)

CobotPump

ECBPi 12 24V-DC M12-8

Part no...:10.03.01.00314

<https://www.schmalz.com/10.03.01.00314>



ROB-SET ECBPi TECHMAN

Part no...:10.03.01.00538

Construction use: CobotPump

for: TECHMAN

Type: TM5, TM12, TM14



ROB-SET ECBPi OMRON

Part no...:10.03.01.00544

Construction use: CobotPump

for: Omron

Type: TM5, TM12, TM14



ROB-SET ECBPi DOOSAN

Part no...:10.03.01.00568

Construction use: CobotPump

for: Doosan

Type: M-,A-,H-Series

CobotPump

ECBPi 12 24V-DC M12-8

Part no...:10.03.01.00314

<https://www.schmalz.com/10.03.01.00314>



ROB-SET ECBPi FANUC

Part no...:10.03.01.00623

Construction use: CobotPump

for: Fanuc

Type: CRX