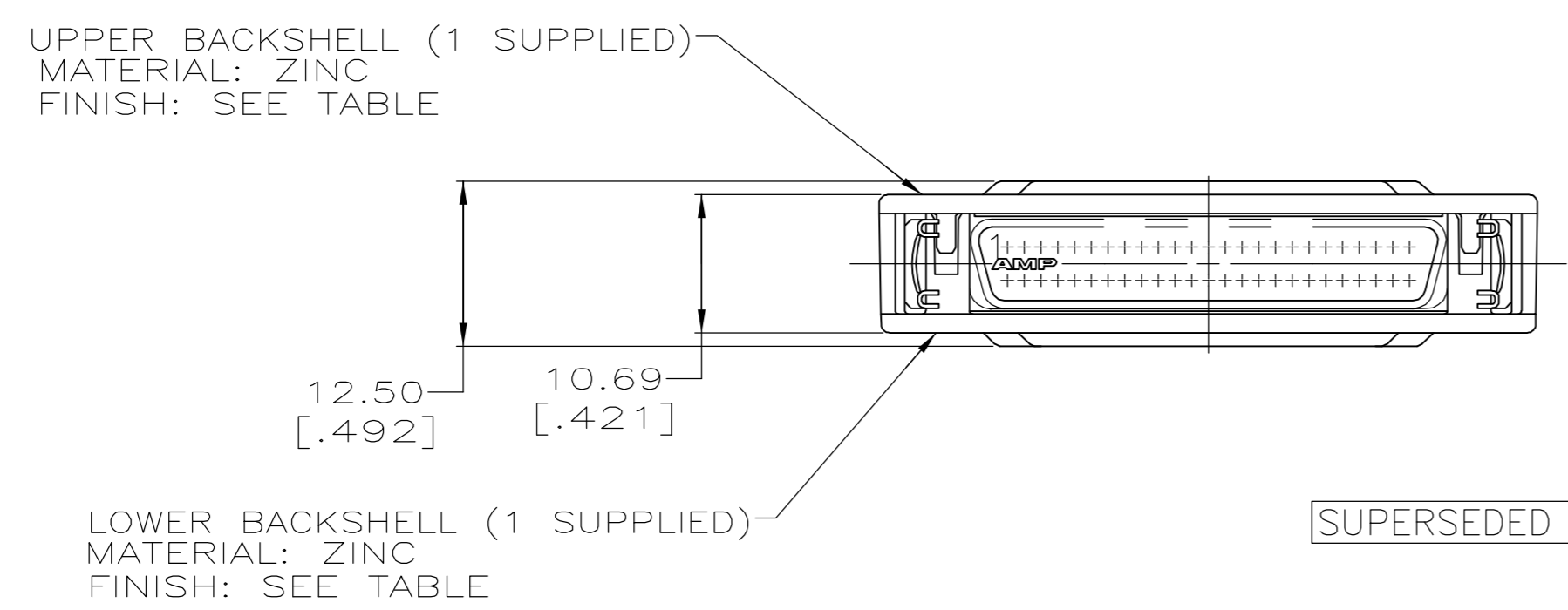
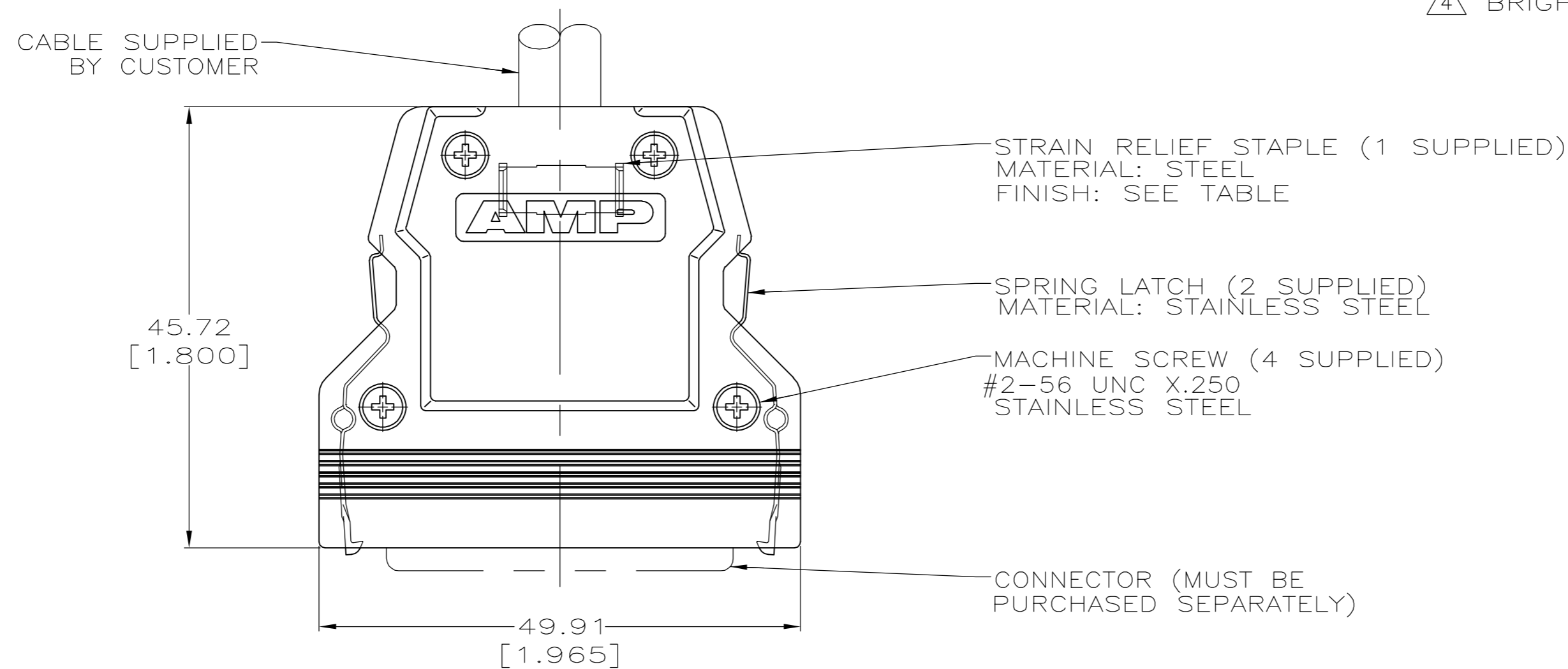


THIS DRAWING IS UNPUBLISHED. RELEASED FOR PUBLICATION
 © COPYRIGHT BY TYCO ELECTRONICS CORPORATION. ALL RIGHTS RESERVED.

LOC	DIST	REVISIONS			
P	LTR	DESCRIPTION	DATE	DWN	APVD
GP	00	E2	REVISED PER ECO-06-024597	13NOV06	JDP SAS

- 1 PARTS PACKAGED AS A UNIT KIT.
- 2 PARTS INDIVIDUALLY BULK PACKAGED & SHIPPED AS A UNIT PACKAGE.
- 3 BRIGHT TIN-LEAD OVER NICKEL.
- 4 BRIGHT TIN OVER NICKEL.



BACKSHELL FINISH	STAPLE FINISH	PACKAGING	CABLE DIA	PART NO.
NICKEL OVER COPPER	4	1	.480 MAX	749889-6
BLACK POWER	3	1	.480 MAX	749889-5
NICKEL OVER COPPER	3	2	.480 MAX	749889-4
NICKEL OVER COPPER	3	1	.480 MAX	749889-3
NICKEL OVER COPPER	3	1	.400 MAX	749889-2
NICKEL OVER COPPER	3	1	.355 MAX	749889-1

SUPERSEDED BY 5749889-3

THIS DRAWING IS A CONTROLLED DOCUMENT.		DWN M.A.MCCAFFREY 10/24/90	Tyco Electronics Corporation Harrisburg, PA 17105-3608
DIMENSIONS: mm [INCHES]		CHK S.G.SMITH 10/24/90	
TOLERANCES UNLESS OTHERWISE SPECIFIED:		APVD -	NAME
0 PLC ± -		PRODUCT SPEC -	BACKSHELL KIT, 50 POSITION, REDUCED WIDTH, STRAIGHT EXIT, UNKEYED, AMPLIMITE .050 SERIES
1 PLC ± -		APPLICATION SPEC -	
2 PLC ± 0.38 [.015]		WEIGHT -	SIZE A2
3 PLC ± -		CUSTOMER DRAWING	CAGE CODE 00779
4 PLC ± -		SCALE 2:1	DRAWING NO C=749889
ANGLES ± -		SHEET 1 of 1	RESTRICTED TO -
FINISH SEE CALLOUTS		REV E2	

749889

A