

MATERIALS AND FINISHES

BODY: BRASS
PLATED: NICKEL

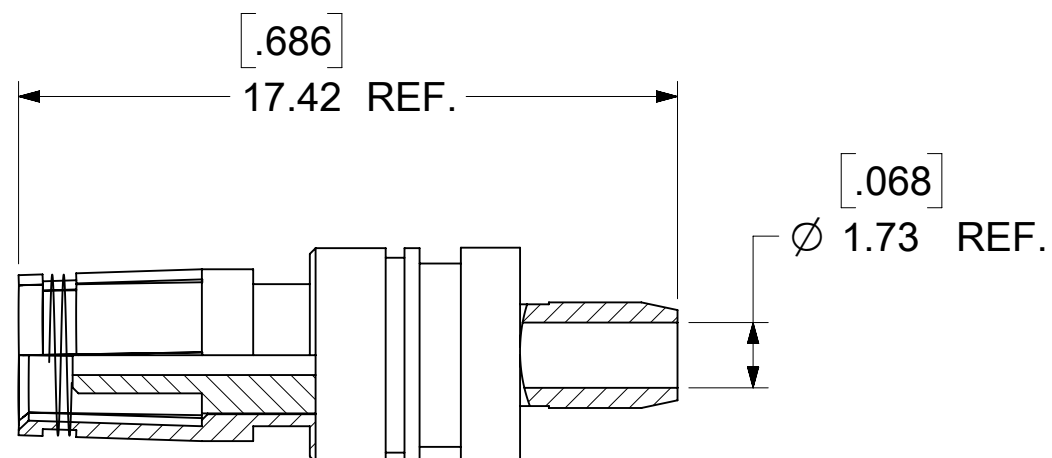
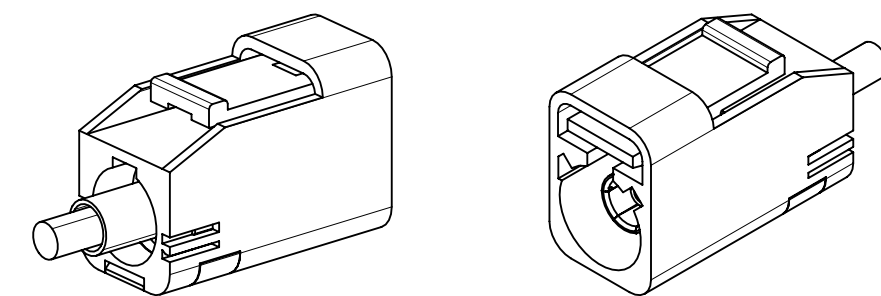
CENTER CONTACT: PHOSPOR BRONZE
PLATED: GOLD

CRIMP TUBE: BRASS
PLATED: NICKEL

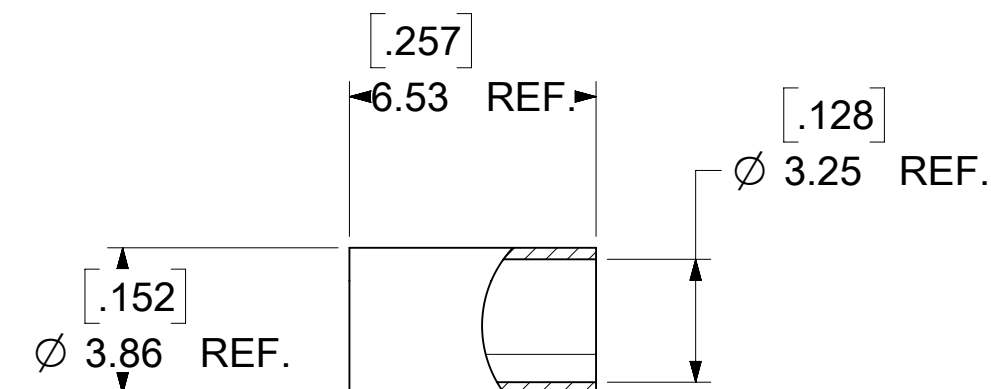
OUTER CASING: NYLON 66 OR EQUIVALENT
KEYING: SEE TABLE
COLOR: SEE TABLE

INSULATOR: PP

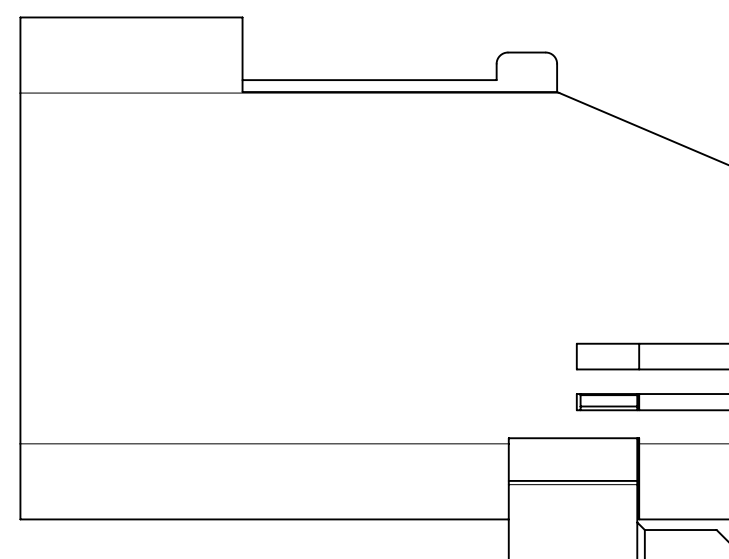
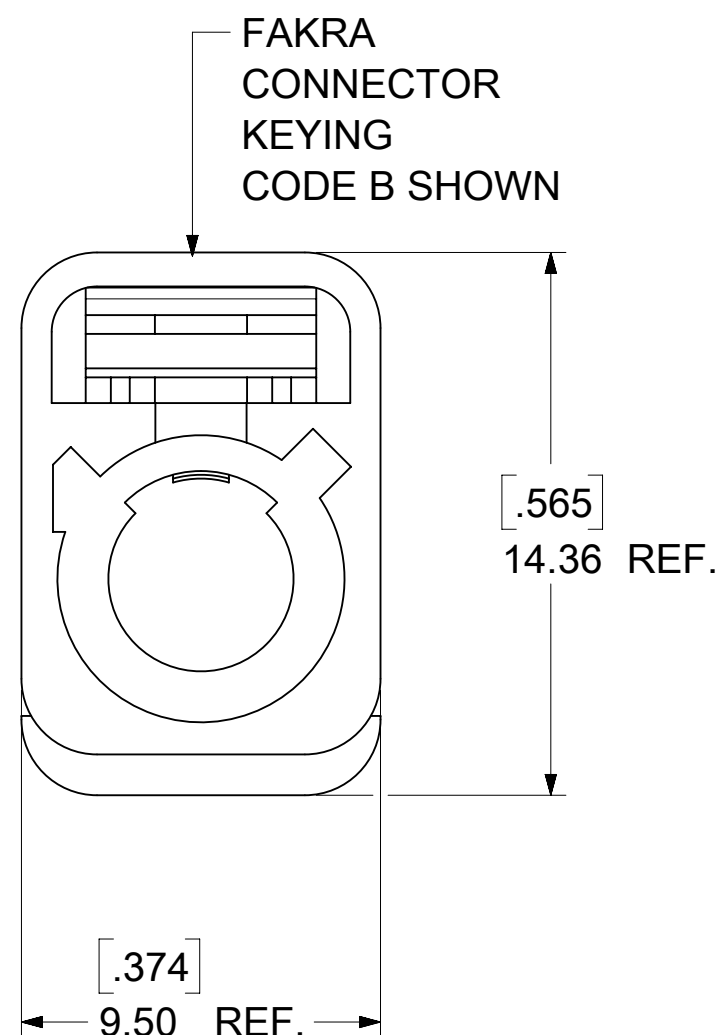
PACKAGING BY SINGLE BAG



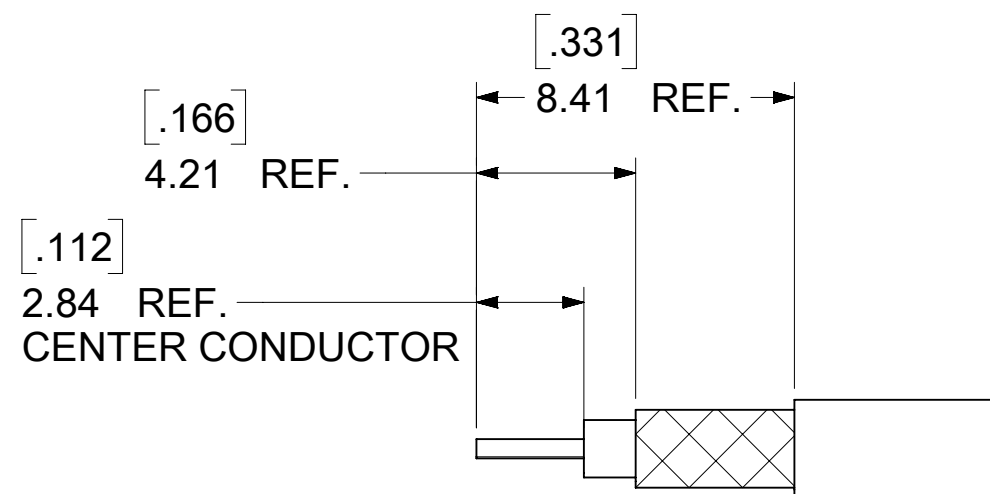
CENTER CONTACT
PART NO.: 89538-0781



CRIMP TUBE
PART NO.: 89613-1792



SECONDARY LOCK
(TPA)

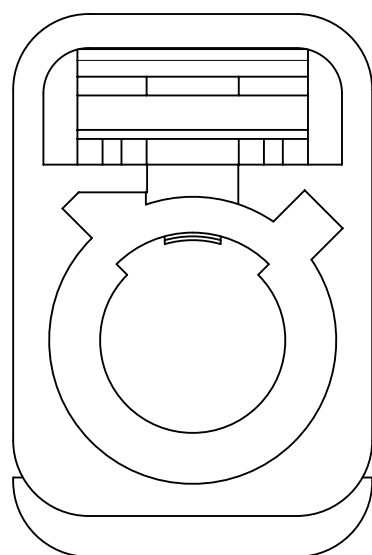


RECOMMENDED CABLE STRIP DIM.

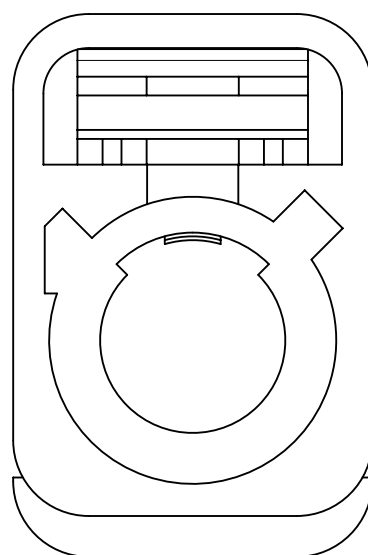
AS-73597-045	ASSEMBLY INSTYUCTION
PS-89675-331	PRODUCT SPECIFICATION
DIN 72594-1	INTERFACE SPECIFICATION
SPECIFICATION	DESCRIPTION

FUNCTIONAL SYMBOLS $\nabla_A = 0$ $\nabla_C = 0$ $\nabla_P = 0$	THIS DRAWING CONTAINS INFORMATION THAT IS PROPRIETARY TO MOLEX ELECTRONIC TECHNOLOGIES, LLC AND SHOULD NOT BE USED WITHOUT WRITTEN PERMISSION	SCALE		CURRENT REV DESC: ADDED NOTE PER EWR # 15738-A									
	DIMENSION UNITS	HYBRID	NTS	GENERAL TOLERANCES (UNLESS SPECIFIED)									
	DIVISIONAL SYMBOLS	4 PLACES	±	2.0°	EC NO: 744129		2023/03/23		SMB PLUG FAKRA STR. 50 OHMS FOR RG316 FAKRA -PC				
	3 PLACES	±		DRWN: ELIN		2023/03/31							
2 PLACES	±		CHK'D: YCHENG		2023/03/31		PRODUCT CUSTOMER DRAWING						
1 PLACE	±		APPR: YCHENG		2023/03/31		INITIAL REVISION:		DOCUMENT NUMBER		DOC TYPE	DOC PART	REVISION
0 PLACES	±		DRWN: ELIN		2012/12/05		SD-73403-626		PSD	001	A3		
DRAFT WHERE APPLICABLE MUST REMAIN WITHIN DIMENSIONS		THIRD ANGLE PROJECTION		DRAWING	SERIES	MATERIAL NUMBER	CUSTOMER	SHEET NUMBER					
				C-SIZE	73403	SEE TABLE	GENERAL MARKET	1 OF 3					

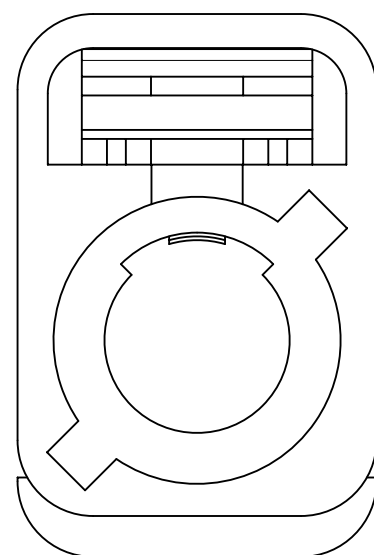
DOCUMENT STATUS	P1	RELEASE DATE	2023/03/31	06:44:55
-----------------	----	--------------	------------	----------



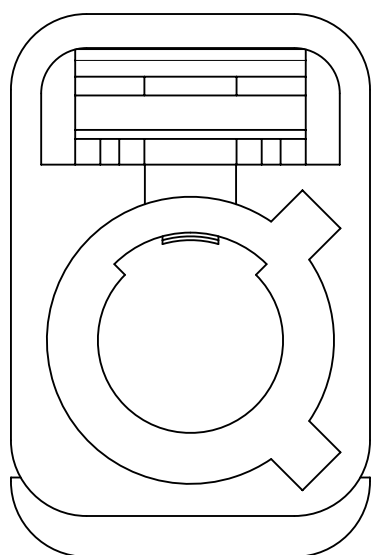
CODE A



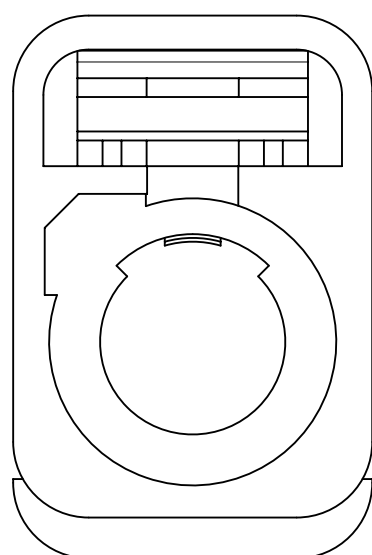
CODE B



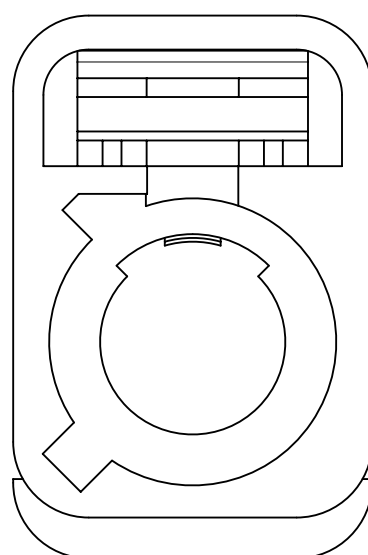
CODE C



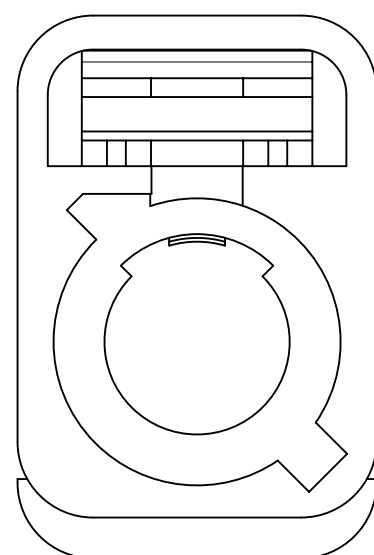
CODE D



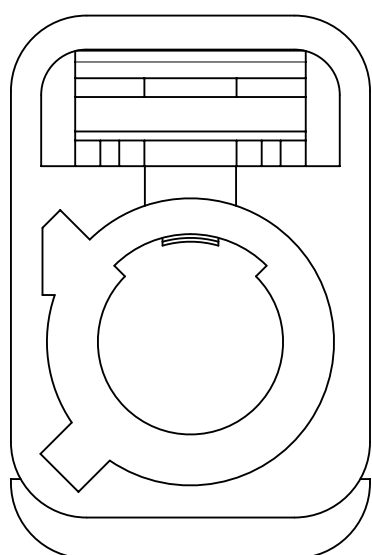
CODE E



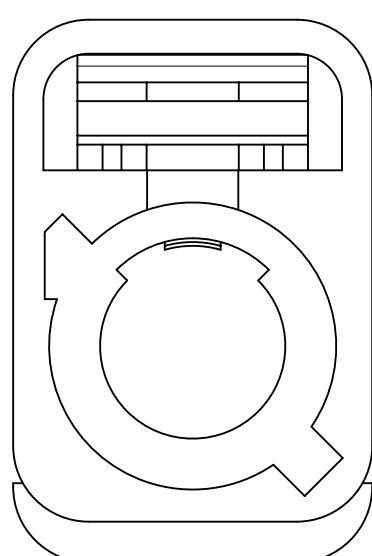
CODE F



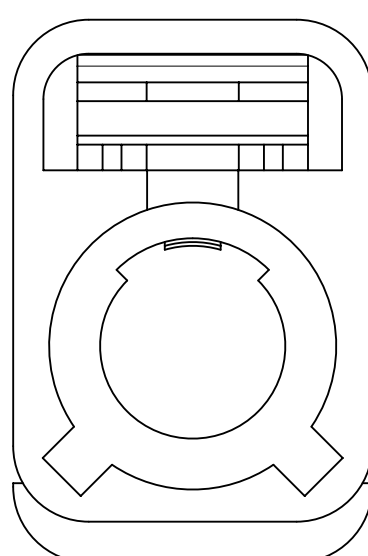
CODE G



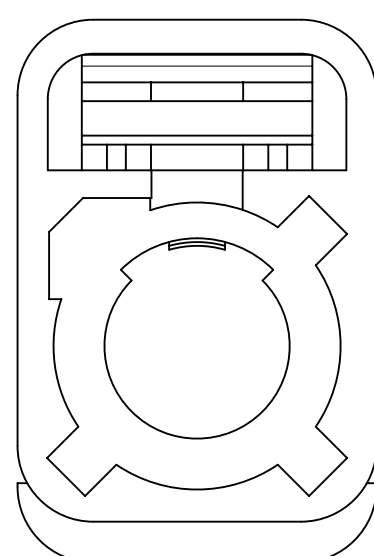
CODE H



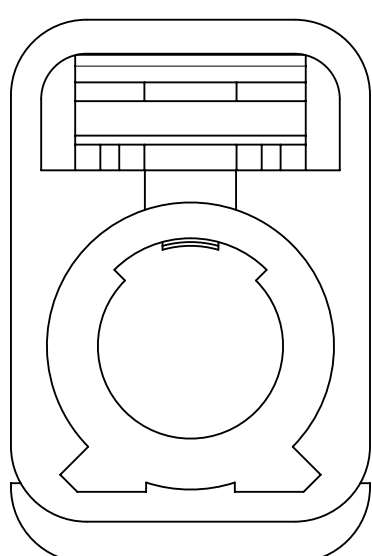
CODE I



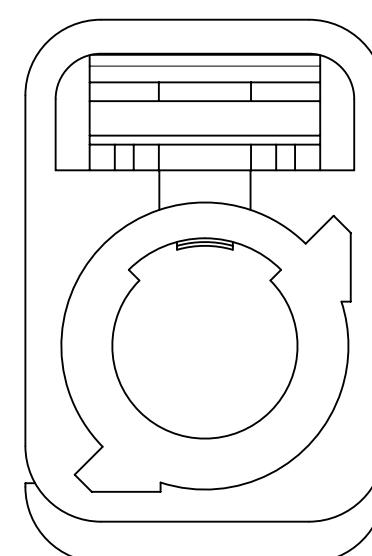
CODE K



CODE Z



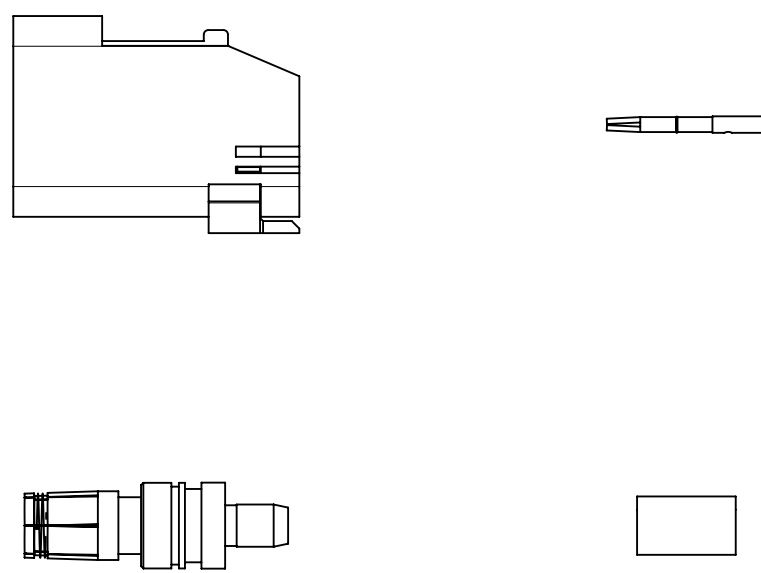
CODE M
CODE L



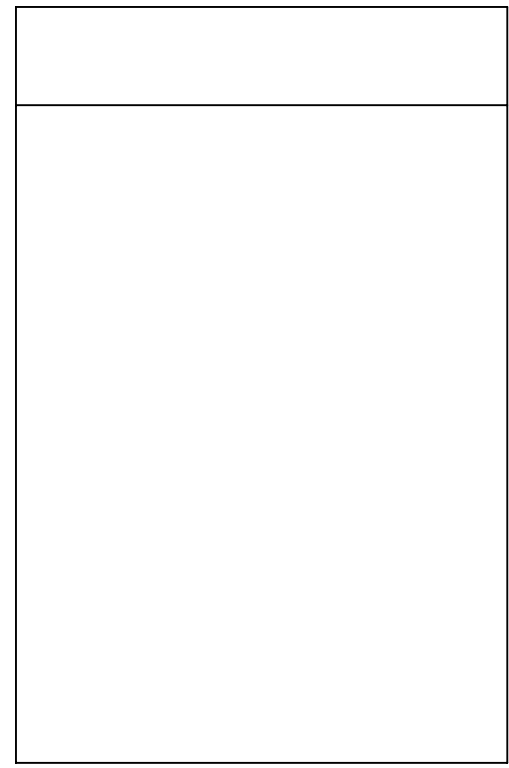
CODE N

N	PASTEL GREEN	73403-6273	SINGLE BAG	73403-8973	BULK PACK
M	PASTEL ORANGE	73403-6272		73403-8982	
L	CARMINE RED	73403-6271		73403-8981	
Z	WATER BLUE	73403-6270		73403-8980	
K	CURRY YELLOW	73403-6269		73403-8979	
I	BEIGE	73403-6268		73403-8978	
H	VIOLET	73403-6267		73403-8977	
G	GRAY	73403-6266		73403-8976	
F	BROWN	73403-6265		73403-8975	
E	GREEN	73403-6264		73403-8974	
D	BORDEAUXVILLOET	73403-6263		73403-8973	
C	BLUE	73403-6262		73403-8972	
B	SINGLE WHITE	73403-6261		73403-8971	
A	BLACK	73403-6260		73403-8970	
KEYING CODE	COLOR	PART NO.	PACKAGE	PART NO.	PACKAGE

FUNCTIONAL SYMBOLS										THIS DRAWING CONTAINS INFORMATION THAT IS PROPRIETARY TO MOLEX ELECTRONIC TECHNOLOGIES, LLC AND SHOULD NOT BE USED WITHOUT WRITTEN PERMISSION									
DIMENSION UNITS		SCALE		CURRENT REV DESC: ADDED NOTE PER EWR # 15738-A															
HYBRID		NTS		<p>molex</p> <p>SMB PLUG FAKRA STR. 50 OHMS FOR RG316 FAKRA -PC</p> <p>PRODUCT CUSTOMER DRAWING</p> <p>DOCUMENT NUMBER: SD-73403-626 DOC TYPE: PSD DOC PART: 001 REVISION: A3</p> <p>MATERIAL NUMBER: SEE TABLE CUSTOMER: GENERAL MARKET SHEET NUMBER: 2 OF 3</p>															
GENERAL TOLERANCES (UNLESS SPECIFIED)																			
ANGULAR TOL ± 2.0°																			
DIVISIONAL SYMBOLS																			
4 PLACES ±				EC NO: 744129		2023/03/23													
3 PLACES ±				DRWN: ELIN		2023/03/31													
2 PLACES ±				CHK'D: YCHENG		2023/03/31													
1 PLACE ±				APPR: YCHENG		2023/03/31													
0 PLACES ±				INITIAL REVISION:															
				DRWN: ELIN		2012/12/05													
				APPR: MHUANG		2013/07/10													
DRAFT WHERE APPLICABLE MUST REMAIN WITHIN DIMENSIONS				THIRD ANGLE PROJECTION		DRAWING		SERIES											
						C-SIZE		73403											



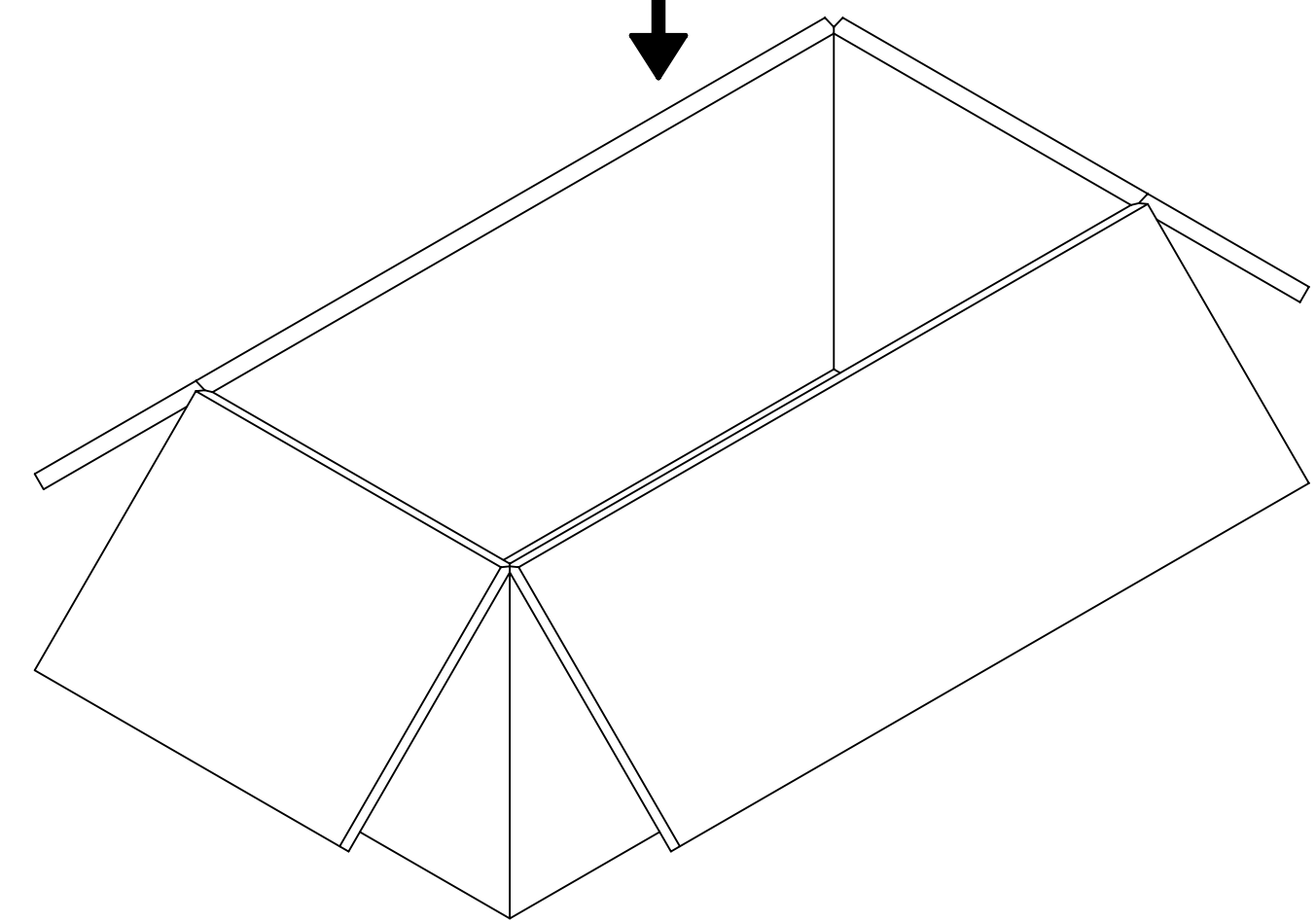
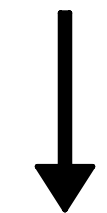
SHROUD WITH TPA x1
 CRIMP TUBE x1
 SMB SUB ASSY x1
 CENTER CONTACT x1



1 SET PER BAG
 BAG P/N: 89707-0317



50 SET PER BAG
 BAG P/N: 89707-0174
 6" x 12"



500 SET PER CARTON BOX
 P/N: 96707-0002
 367*176*188mm

THIS DRAWING CONTAINS INFORMATION THAT IS PROPRIETARY TO MOLEX ELECTRONIC TECHNOLOGIES, LLC AND SHOULD NOT BE USED WITHOUT WRITTEN PERMISSION																																		
FUNCTIONAL SYMBOLS	THIS DRAWING CONTAINS INFORMATION THAT IS PROPRIETARY TO MOLEX ELECTRONIC TECHNOLOGIES, LLC AND SHOULD NOT BE USED WITHOUT WRITTEN PERMISSION	SCALE		CURRENT REV DESC: ADDED NOTE PER EWR # 15738-A																														
	<table border="1"> <tr> <td>FA = 0</td> <td>HYBRID</td> <td>NTS</td> </tr> <tr> <td>FC = 0</td> <td colspan="2">GENERAL TOLERANCES (UNLESS SPECIFIED)</td> </tr> <tr> <td>FD = 0</td> <td colspan="2">ANGULAR TOL ± 2.0°</td> </tr> <tr> <td></td> <td>4 PLACES</td> <td>±</td> </tr> <tr> <td></td> <td>3 PLACES</td> <td>±</td> </tr> <tr> <td></td> <td>2 PLACES</td> <td>±</td> </tr> <tr> <td></td> <td>1 PLACE</td> <td>±</td> </tr> <tr> <td></td> <td>0 PLACES</td> <td>±</td> </tr> </table>	FA = 0	HYBRID	NTS	FC = 0	GENERAL TOLERANCES (UNLESS SPECIFIED)		FD = 0	ANGULAR TOL ± 2.0°			4 PLACES	±		3 PLACES	±		2 PLACES	±		1 PLACE	±		0 PLACES	±	EC NO: 744129	2023/03/23	<div style="text-align: center;">molex</div> SMB PLUG FAKRA STR. 50 OHMS FOR RG316 FAKRA -PC PRODUCT CUSTOMER DRAWING						
FA = 0	HYBRID	NTS																																
FC = 0	GENERAL TOLERANCES (UNLESS SPECIFIED)																																	
FD = 0	ANGULAR TOL ± 2.0°																																	
	4 PLACES	±																																
	3 PLACES	±																																
	2 PLACES	±																																
	1 PLACE	±																																
	0 PLACES	±																																
DIVISIONAL SYMBOLS	DRWN: ELIN	2023/03/31	DOCUMENT NUMBER	DOC TYPE	DOC PART	REVISION																												
	DRWN: ELIN	2023/03/31	SD-73403-626	PSD	001	A3																												
	APPR: YCHENG	2023/03/31	MATERIAL NUMBER	CUSTOMER	SHEET NUMBER																													
	INITIAL REVISION:	2012/12/05	SEE TABLE	GENERAL MARKET	3 OF 3																													
	DRWN: ELIN	2013/07/10																																
	APPR: MHUANG																																	
	DRAFT WHERE APPLICABLE MUST REMAIN WITHIN DIMENSIONS	THIRD ANGLE PROJECTION	DRAWING	SERIES																														
			C-SIZE	73403																														