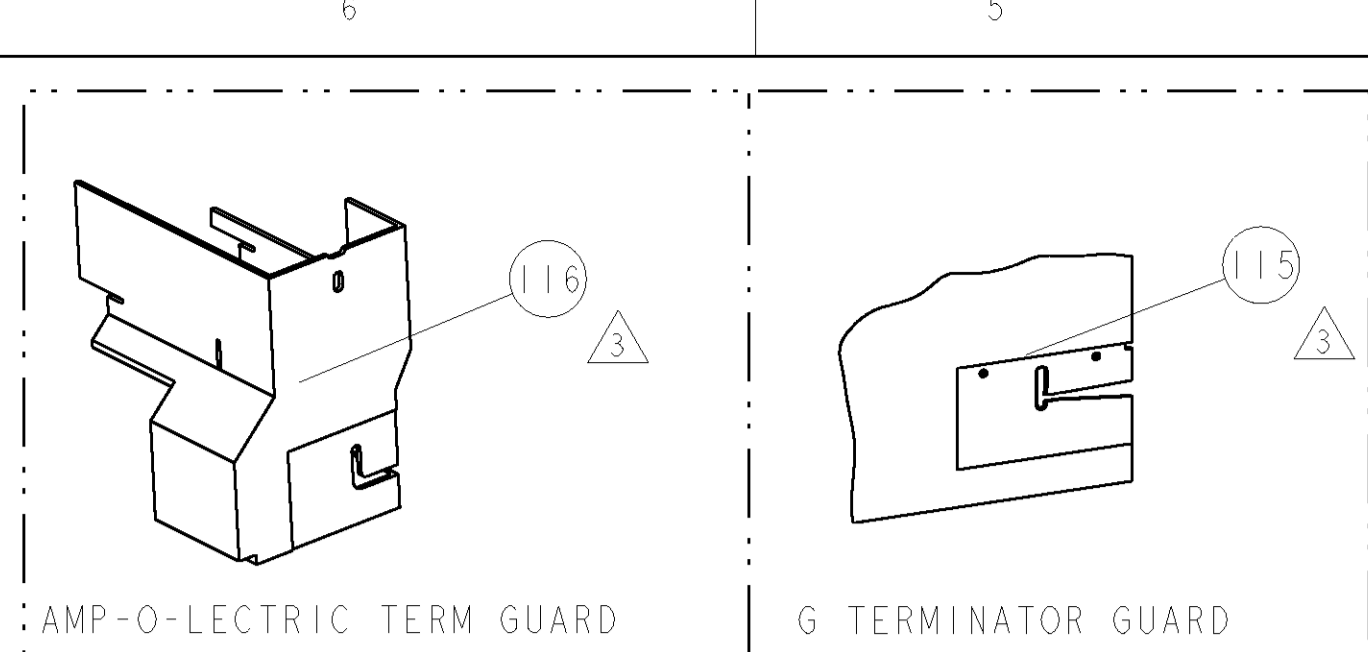
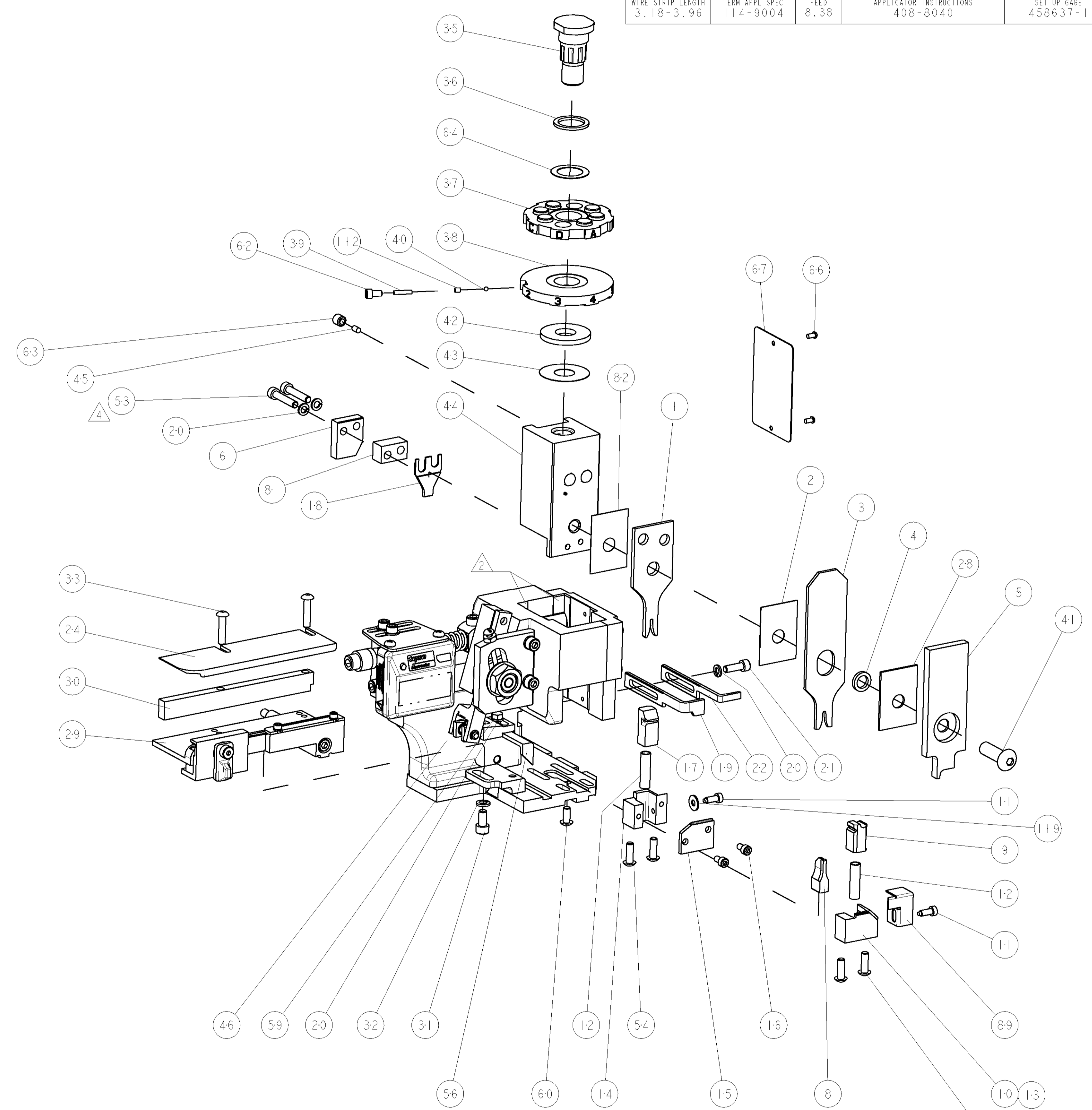
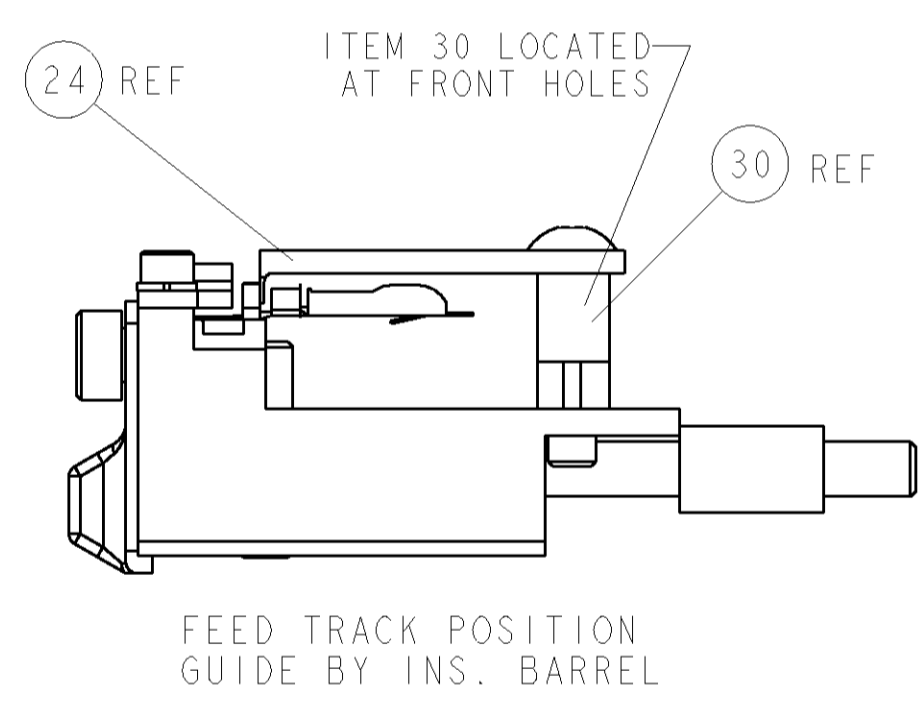
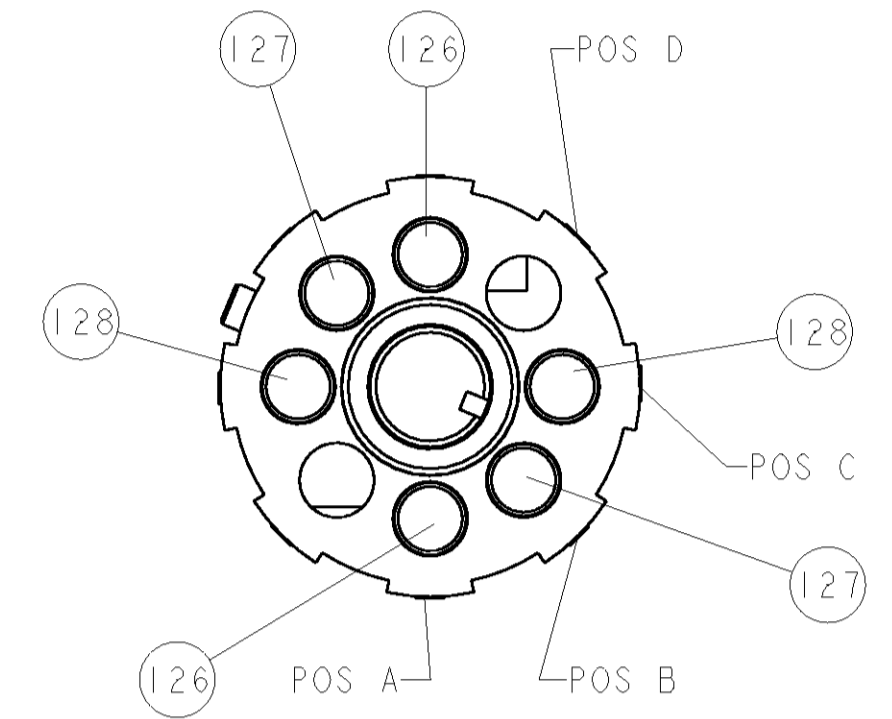


PART NUMBER	REV	FIRST USED	POWER UNIT	FEED TYPE	DESCRIPTION
1852684-1	A	122500-1	LEADMAKER	POST FEED	CUTS CARRIER
1852684-2	A	565435-5	BENCH MODEL K	PRE FEED	CUTS CARRIER
1852684-3	A	354500-1	BENCH MODEL G	PRE FEED	CUTS CARRIER
1852684-6	A	122500-1	LEADMAKER	POST FEED	CONTINUOUS CARRIER
7-1852684-7	A	-	-	-	SPARE PARTS

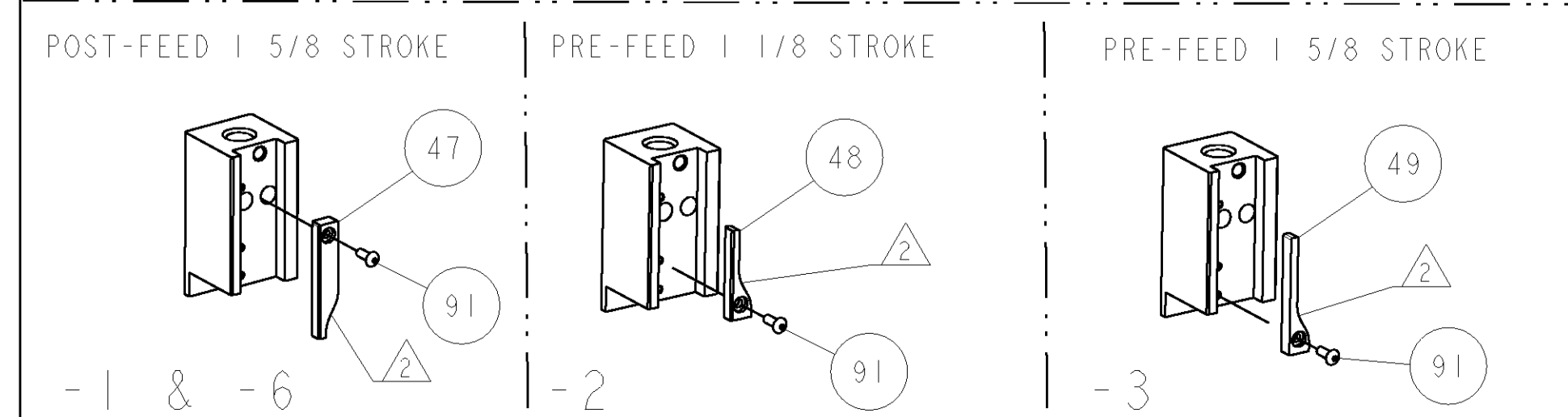


TERMINAL NAME: CONTACT - TWIN LEAF			
SOCKET	PIN	TE TERMINAL - TE CRIMP SPECS	
583649	-		
-	-	PAD LTR	CRIMP HEIGHT
-	-	A	1.17mm+ .05/- .05 [ .046+ .002/- .002 ]
-	-	B	1.02mm+ .05/- .05 [ .040+ .002/- .002 ]
-	-	C	.94mm+ .05/- .05 [ .037+ .002/- .002 ]
-	-	D	-
-	-	CRIMP	SIZE
-	-	WIRE	1.57mm [ .062 ]
-	-	INSUL	2.29mm [ .090 ]
WIRE STRIP LENGTH	TERM APPL SPEC	FEED	APPLICATOR INSTRUCTIONS
3.18-3.96	114-9004	8.38	408-8040
			SET UP GAGE
			458637-1

- △ RECOMMENDED SPARE PARTS
- △ GREASE LIGHTLY
- △ GUARD MUST BE IN PLACE WHEN OPERATING APPLICATOR IN A BENCH MACHINE
- △ CUT TO LENGTH AT ASSEMBLY.



LOC	DIST	REV	DATE	BY	APPV	DESCRIPTION	DATE	BY	APPV
A	66					RELEASED	30APR2008	LG	TE
-	2	2	2	2	-	4-354779-2			
-	2	2	2	2	-	3-354779-5			
-	2	2	2	2	-	2-354779-2			
-	1	1	1	1	-	21055-5			
-	-	-	REF	-	..	455749-1			
-	-	-	REF	-	..	679532-1			
-	1	1	1	1	-	690603-1			
-	1	1	1	1	-	1-21002-7			
-	1	1	1	1	-	318563-1			
-	1	1	1	1	-	455888-1			
-	1	1	1	1	-	5-240641-6			
-	1	1	1	1	-	4088040			
-	1	1	1	1	-	217238-1			
-	1	1	1	1	-	461264-1			
-	2	2	2	2	-	21017-2			
-	1	1	1	1	-	986950-1			
-	1	1	1	1	-	21009-2			
-	1	1	1	1	-	23030-1			
-	1	1	1	1	-	22733-8			
-	1	1	1	1	-	2-22603-0			
-	1	1	1	1	-	458537-2			
-	4	4	4	4	-	2-21002-2			
-	2	2	2	2	-	3-21000-0			
-	-	-	-	-	..	690602-6			
-	-	-	-	-	..	690602-5			
-	1	-	-	-	-	690501-4			
-	1	1	1	1	-	459456-1			
-	1	1	1	1	-	690191-1			
-	1	1	1	1	-	455673-1			
-	1	1	1	1	-	690125-1			
-	1	1	1	1	-	1-690124-4			
-	1	1	1	1	-	7-21002-9			
-	1	1	1	1	-	23241-6			
-	1	1	1	1	-	690170-1			
-	1	1	1	1	-	690142-1			
-	1	1	1	1	-	354777-1			
-	1	1	1	1	-	22480-5			
-	1	1	1	1	-	690212-1			
-	2	2	2	2	-	2-21002-4			
-	1	1	1	1	-	21024-5			
-	1	1	1	1	-	3-21000-4			
-	1	1	1	1	-	1320908-4			
-	1	1	1	1	-	1633091-1			
-	1	1	1	1	-	1-455888-0			
-	1	1	1	1	-	1320928-1			
-	1	-	-	-	-	690472-2			
-	1	1	1	1	-	2-21000-7			
-	4	4	4	4	-	21024-4			
-	-	-	-	-	-	691353-1			
-	1	1	1	1	-	1-690518-1			
-	1	1	1	1	-	690463-1			
-	2	2	2	2	-	1-21000-8			
-	1	1	1	1	-	690691-9			
-	-	-	-	-	-	690462-1			
-	1	-	-	-	-	679625-1			
-	2	2	2	2	-	3-22280-3			
-	2	2	2	2	-	690461-1			
-	-	-	-	-	-	690459-1			
-	1	1	1	1	-	462006-1			
1	1	1	1	1	-	4-1633107-0			
-	-	-	-	-	..	-			
-	1	1	1	1	-	690468-1			
-	1	1	1	1	-	455889-9			
-	1	1	1	1	-	2-238011-2			
1	1	1	1	1	-	4-456135-4			
-	1	1	1	1	-	455888-3			
1	1	1	1	1	-	2-456403-6			



DIMENSIONS: INCHES 0 PLC ±.01 1 PLC ±.01 2 PLC ±.01 3 PLC ±.001 4 PLC ±.0001 ANGLES ±.001		TOLERANCES UNLESS OTHERWISE SPECIFIED: FINISH: -		DWN: L. GROSS 15APR2008 CHK: G. BAILEY 15APR2008 APVD: N. DEMING 15APR2008		Tyco Electronics Harrisburg, PA 17105-3608	
MATERIAL: - FINISH: -		WEIGHT: - CUSTOMER DRAWING: -		PRODUCT SPEC: - APPLICATION SPEC: - SIZE: A1 CASE CODE: 00779 DRAWING NO: C=1852684 SCALE: 3:5 SHEET: 1 OF 1 REV: A		RESTRICTED TO: -	

CUSTOMER VIEWABLE ASSEMBLY