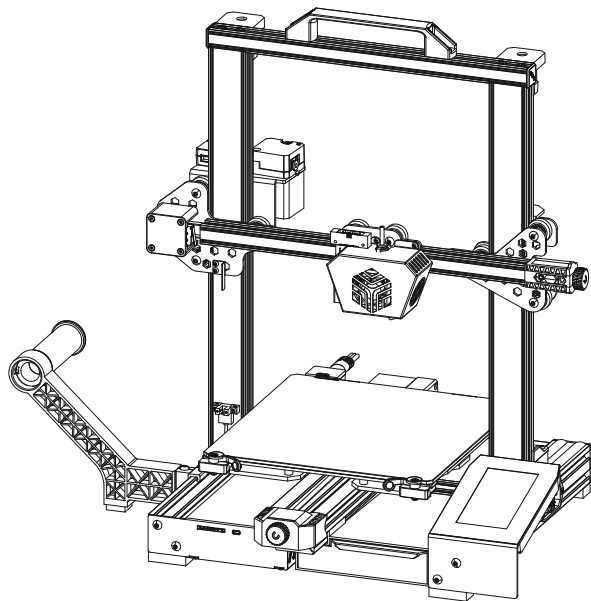


CREALITY

3D Printer User Manual

3D打印机使用说明书

CR-6 SE



Content 目录

Dear Consumers,

Thank you for choosing our products. For the best experience, please read the instructions before operating the Printer. Our teams will always be ready to render you the best services. Please contact us via the phone number or e-mail address provided at the end when you encounter any problem with the Printer.

For a better experience in using our product, you can also learn how to use the Printer in the following ways:

View the accompanied instructions and videos in the Storage card.

Visit our official website www.creality.com to find relevant software/hardware information, contact details and operation and maintenance instructions.

尊敬的创想三维用户：

感谢您选择、使用创想三维的产品。为了您使用方便，请您在使用之前仔细阅读该说明书，并严格按照说明书的指示进行操作。

创想三维团队时刻准备为您提供优质的服务。在使用过程中无论遇到什么问题，请按照说明书结尾所提供的电话、邮箱与我们联系。

为了您能够更好地体验我们的产品，您还可以从以下方式获取设备操作知识：

随机使用说明：你可以在存储卡内找到相关使用说明及视频。

创想三维官网：www.cxsw3d.com 您可以登陆创想三维官网寻找相关软硬件、联系方式、设备操作、设备保养等信息。

A

Notes

使用须知

B

Assemble the 3D Printer

组装 3D 打印机

C

Use the 3D Printer

使用 3D 打印机

Level the Platform

调平台

Load Filament

装料

Start Printing

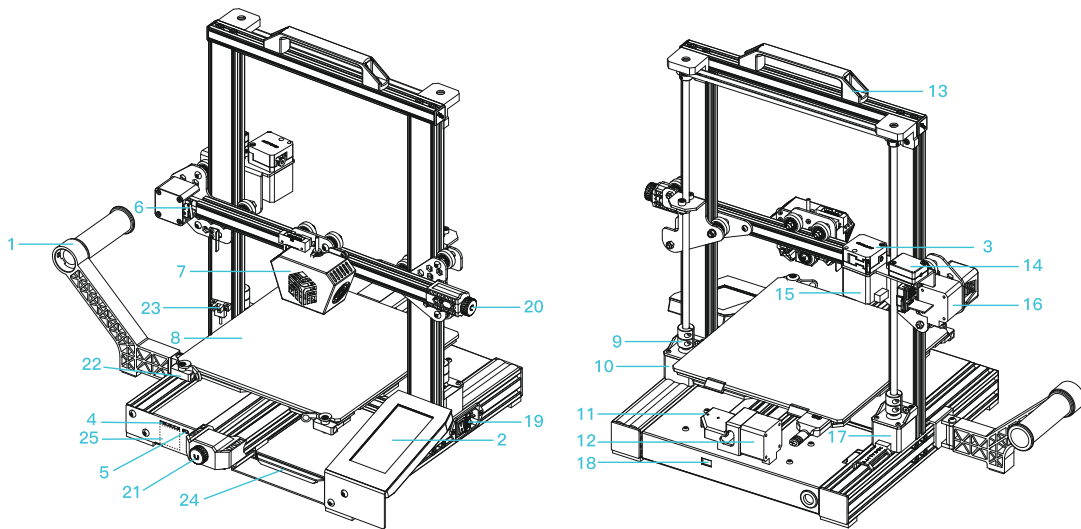
开始打印

NOTES 使用须知

1. Do not use the printer any way other than described herein in order to avoid personal injury or property damage.
2. Do not place the printer near any heat source or flammable or explosive objects. We suggest placing it in a well-ventilated, low-dust environment.
3. Do not expose the printer to violent vibration or any unstable environment, as this may cause poor print quality.
4. Before using experimental or exotic filaments, we suggest using standard filaments such as ABS or PLA to calibrate and test the machine.
5. Do not use any other power cable except the one supplied. Always use a grounded three-prong power outlet.
6. Do not touch the nozzle or printing surface during operation as they may be hot. Keep hands away from machine while in use to avoid burns or personal injury.
7. Do not wear gloves or loose clothing when operating the printer. Such cloths may become tangled in the printers moving parts leading to burns, possible bodily injury, or printer damage.
8. When cleaning debris from the printer hotend, always use the provided tools. Do not touch the nozzle directly when heated. This can cause personal injury.
9. Clean the printer frequently. Always turn the power off when cleaning, and wipe with a dry cloth to remove dust, adhered printing plastics or any other material off the frame, guide rails, or wheels. Use glass cleaner or isopropyl alcohol to clean the print surface before every print for consistent results.
10. Children under 10 years of age should not use the printer without supervision.
11. This machine is equipped with a security protection mechanism. Do not manually move the nozzle and printing platform mechanism manually while booting up, otherwise the device will automatically power off for safety.
12. Users shall comply with related nation and region's laws, regulations and ethical codes where the equipment or produced prints by it is used, and users of our product shall not use aforesaid products to print any end-use products, objects, parts or components or any other physical prints that violate the national or regional laws, regulations and ethical codes where herein referred product and produced prints by it is located.

- 1、请勿尝试任何使用说明中没有描述的方法来使用本机，避免造成意外人身伤害和财产损失；
- 2、请勿将本机放置在易燃易爆物品或高热源附近，请将本机放置在通风、阴凉、少尘的环境内；
- 3、请勿将打印机放置在振动较大或者其他不稳定的环境内，机器晃动会影响打印机打印质量；
- 4、建议使用厂家推荐耗材，以免造成挤出头堵塞和机器损坏；
- 5、请勿在安装过程中使用其他产品电源线代替，请使用本机附带的电源线，电源插头需接插在带有地线的三孔插座；
- 6、请勿在打印机工作时接触喷嘴以及热床，以防止出现高温烫伤，造成人身伤害；
- 7、请勿在操作机器时佩戴手套或缠绕物，以防可动部件对人身部件造成卷入挤压和切割伤害；
- 8、在打印完毕后及时利用喷头的余温借助工具将喷头上的耗材清理干净，清理时请勿直接用手触摸喷头，以防出现烫伤；
- 9、常做产品维护，定期在断电的情况下，用干布对打印机做机身清洁，拭去灰尘和粘结的打印材料、导轨上的异物；
- 10、年龄在10岁以下的儿童，请勿在没有人员监督的情况下使用本机，以免造成人身伤害；
- 11、本机设有安全保护机制，请勿在开机状态下手动快速移动喷头及打印平台机构，否则设备会自动断电关机保护；
- 12、使用者应遵守设备打印产品与设备所在地及相应国家及地区法律、法规，恪守职业道德，严禁使用我司产品打印有违设备打印产品与设备所在地及相应国家、地区法律禁止的任何产品或物件。

Introduction 设备简介



1 Filament Holder 料架及料管

2 LCD Screen 显示屏

3 Extruder 挤出机

4 Storage Card Slot 存储卡槽

5 USB Port USB接口

6 X Limit Switch X轴限位开关

7 Nozzle Kit 喷头套件

8 Printing Platform 打印平台

9 Coupling 联轴器

10 Z-axis Motor (Z2) Z轴电机 (Z2)

11 Y Limit Switch Y轴限位开关

12 Y-axis Motor Y轴电机

13 Handle 把手

14 Filament Detector 断料检测

15 Extruder (E) Motor 挤出 (E) 电机

16 X-axis Motor X轴电机

17 Z-axis Motor (Z1) Z轴电机 (Z1)

18 Voltage Switching Switch 电压切换拨动开关

19 Power Cable Connection
电源组合开关

20 X-axis Belt Tension Adjustment Knob
X轴皮带张紧调节旋钮

21 Y-axis Belt Tension Adjustment Knob
Y轴皮带张紧调节旋钮

22 Glass Pick And Place Handle Plate
玻璃取放手柄压板

23 Photoelectric Switch
光电开关

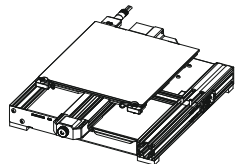
24 Tool Box 工具箱

25 SD Card Slot Sticker SD卡槽贴纸

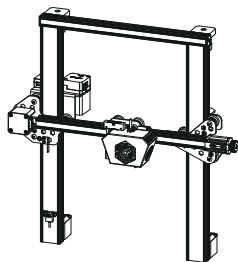
Parameters 设备参数

Basic Parameters 基本参数	
Model 型号	CR-6 SE
Printing Size 成型尺寸	235*235*250mm
Molding Tech 成型技术	FDM
Nozzle Number 喷头数量	1
Slice Thickness 切片层厚	0.1mm-0.4mm
Nozzle Diameter 喷嘴直径	Standard 0.4mm 标配0.4mm
Precision 打印精度	±0.1mm
Filament 打印材料	1.75mm PLA/TPU/PETG/Wood 木材
File Format 切片支持格式	STL/OBJ/AMF
Working Mode 打印方式	Online or Storage card offline 联机或存储卡脱机
Slice Software 可兼容切片软件	Creativity Slicer/Cura/Repetier-Host/Simplify3D
Power Supply 额定电压	Input 输入:AC115/230V 50/60Hz Output 输出:DC 24V
Total Power 额定功率	350W
Bed Temp 热床最高温度	≤110°C
Nozzle Temp 喷嘴最高温度	≤260°C
Resume Printing 断电续打	Yes 支持
Filament Detector 断料检测	Yes 支持
Dual Z-axis 双Z轴	Yes 支持
Auto Leveling 自动调平	Yes 支持
Language Chinese/English 中英切换	English 中文
Operating System 电脑操作系统	Windows XP/7/8/10 MAC/Linux
Printing Speed 打印速度	80-100mm/s

Parts List 零部件清单



1 Base Frame | 底座 x 1



2 Gantry Frame | 龙门架 x 1



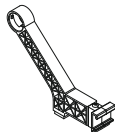
3 Display | 显示屏 x 1



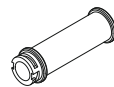
4 Handle | 把手 x 1



5 Power Cord | 电源线 x 1



6 Rack | 料架 x 1



7 Spool | 料管 x 1



8 Filament | 耗材 x 1



9 M5T nut | M5T型螺母 x 2



10 M5x10 Hexagon Socket Button Head Screws
M5x10内六角平圆头螺丝



11 M5x45 Sems Screw x4
M5x45组合螺丝



12 Threading fixture x 1
穿丝治具

Tool list 工具包清单



13 Spade x 1
铲刀



14 Wrench x 1
扳手



15 Socket Spanner x 1
套筒扳手



16 Nozzle Cleaner x 1
通针



17 Diagonal Pliers x 1
剪钳



18 Allen wrench x 1
内六角扳手



19 Storage Card & Card Reader
存储卡和读卡器



20 Quick Connect Buckle x 2
快接卡扣



21 Quick Release Claw x 2
快接卡爪



22 Nozzle x 2
喷嘴

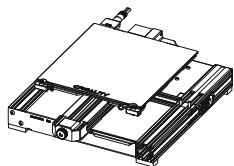


23 Creality Sticker x 1
创想三维贴纸

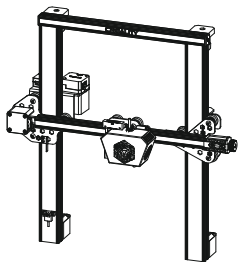
1

Install the Gantry Frame

安装龙门架



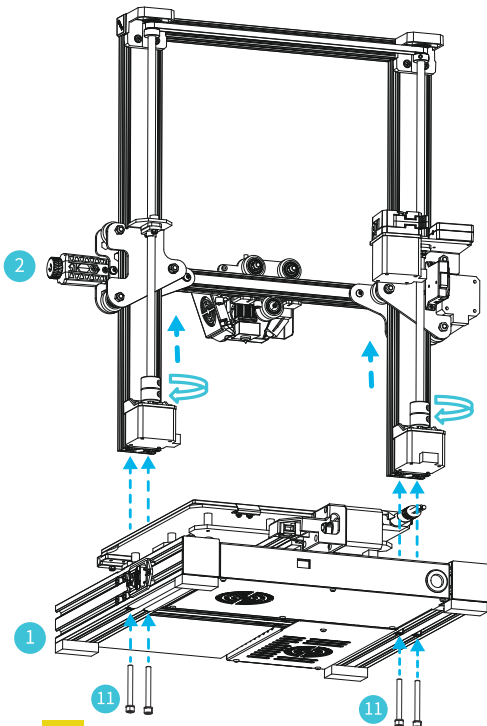
1 Base Frame | 底座 x 1



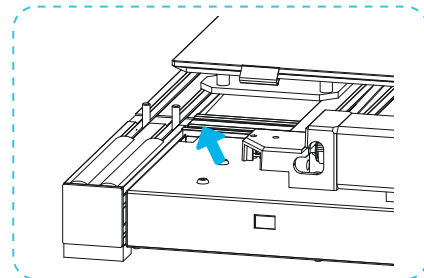
2 Gantry Frame | 龙门架 x 1



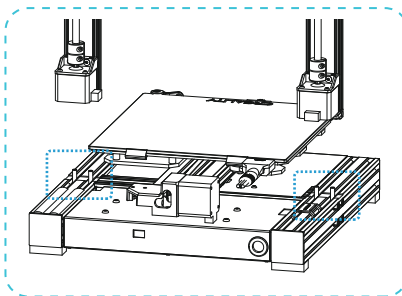
11 M5*45 Sems Screw x4
M5*45组合螺丝



Twist the coupling to raise the X axis to the position as picture shown.
拧动联轴器使X轴上升到如图所示位置。



X-axis bottom profile
X轴底部型材



Two Z-axis profiles, installed on the inner step of the X-axis bottom profile.
两根Z轴型材，靠X轴底部型材内侧台阶安装。

2

Install the Display

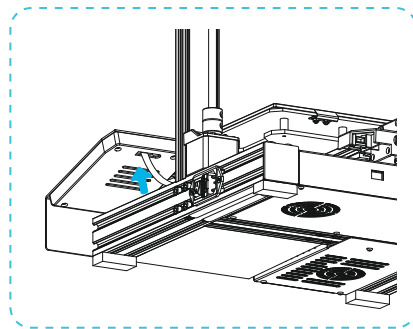
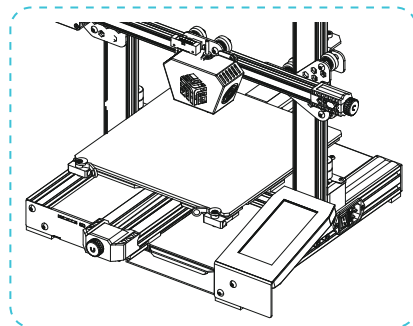
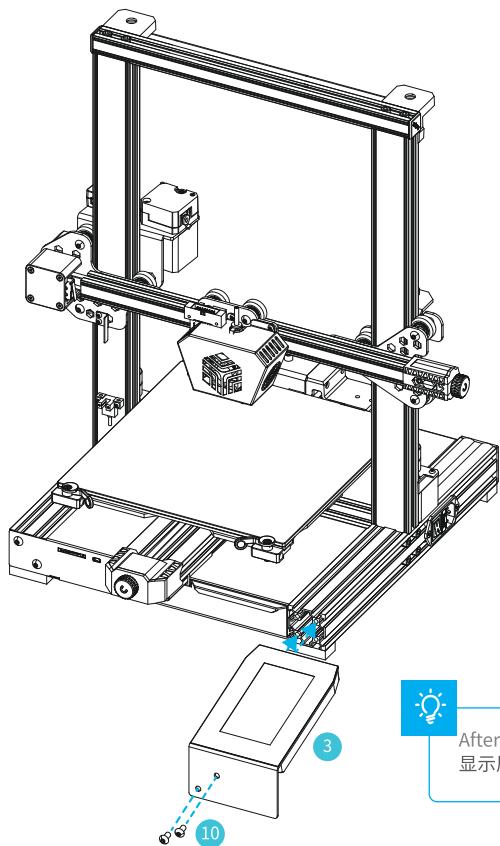
安装显示屏



3 Display | 显示屏 x 1



10 M5x10 Hexagon Socket x 2
Button Head Screws
M5x10内六角平圆头螺丝

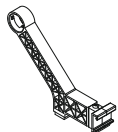


After the display is installed, please connect the display cable.
显示屏安装完成后, 请将显示屏线连接好。

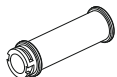
3

Install the Rack

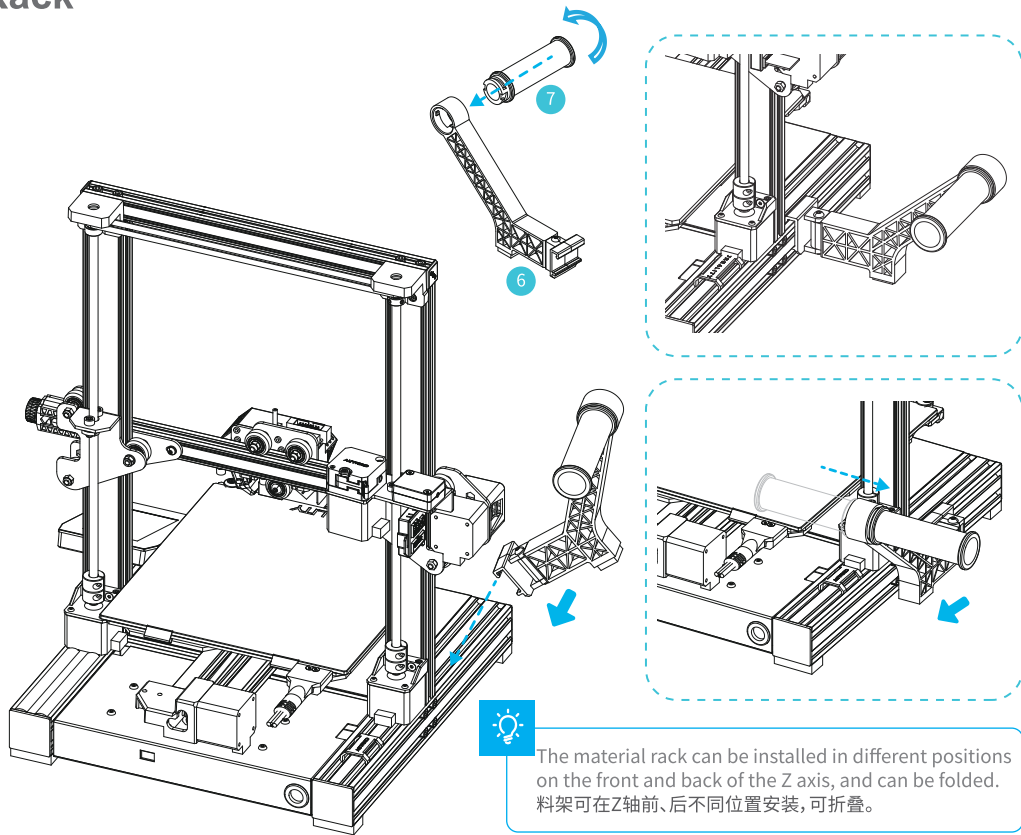
安装料架



6 Rack | 料架 x 1



7 Spool | 料管 x 1



The material rack can be installed in different positions on the front and back of the Z axis, and can be folded.
料架可在Z轴前、后不同位置安装,可折叠。

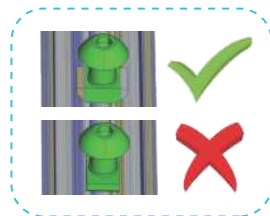
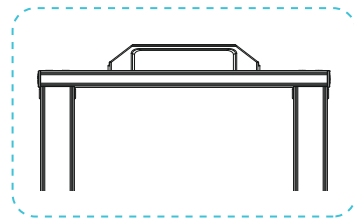
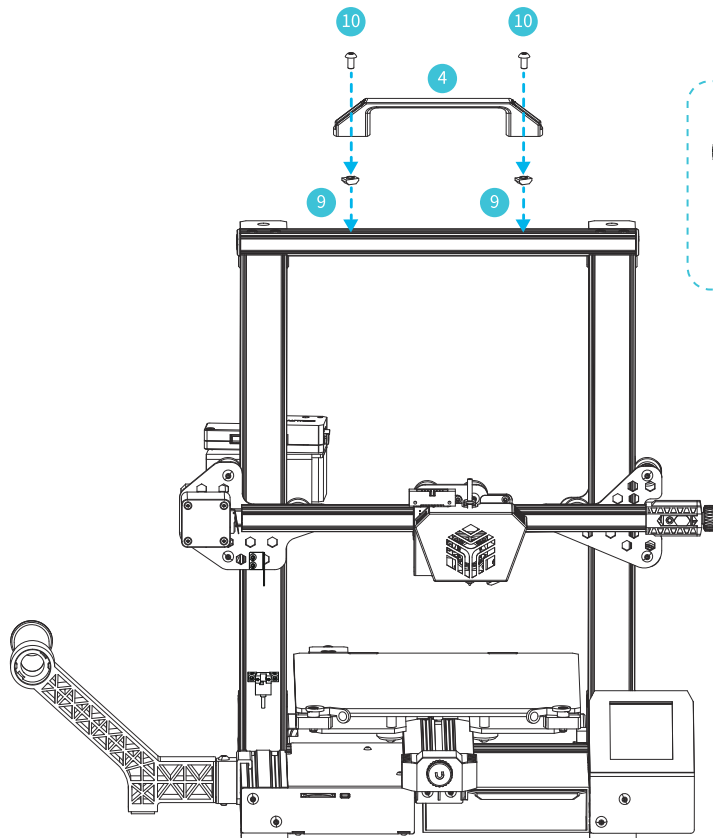
4

Install the Handle

安装把手



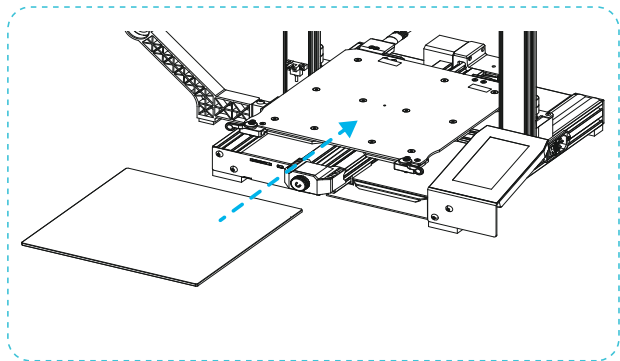
4 Handle 把手 x 1

10 M5x10 Hexagon Socket x 2
Button Head Screws
M5x10内六角平圆头螺丝9 M5T nut x 2
M5T型螺母

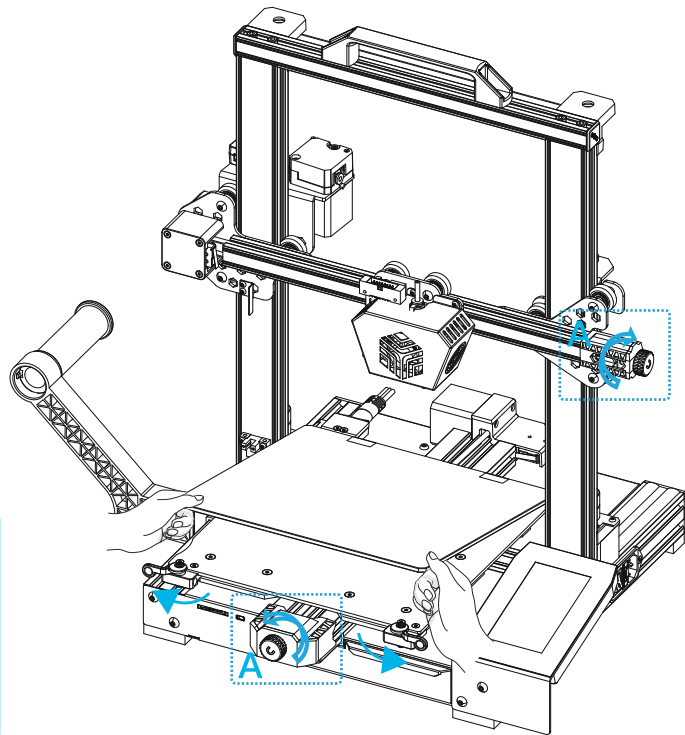
5

Easier to replace the platform and adjust the belt

更换平台更容易，调节皮带更方便



1. Rotate the glass pick-and-place handleplate for platform replacement.
1. 转动玻璃取放手柄压板可进行平台更换。
2. Then manually turn the knob to the appropriate tightness to avoid belt breakage. (as shown in figure A, two places)
2. 然后手动将旋钮左右拧到适合松紧度，过紧容易造成皮带崩断。（如图所示A两处）



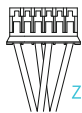
6

Cable Connection 设备接线

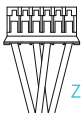
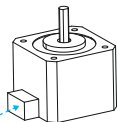
- 1 Connect the 16pin port to the nozzle adapter board as shown in the figure 按图示16pin端口连接喷头转接板
- 2 Connect the extruder adapter board with 14pin port as shown 按图示14pin端口连接挤出机转接板
- 3 Connect Z-axis motor cable 连接Z轴电机线
- 4 Connect the photoelectric switch wire 连接光电开关线
- 5 Connect the power cord 连接电源线



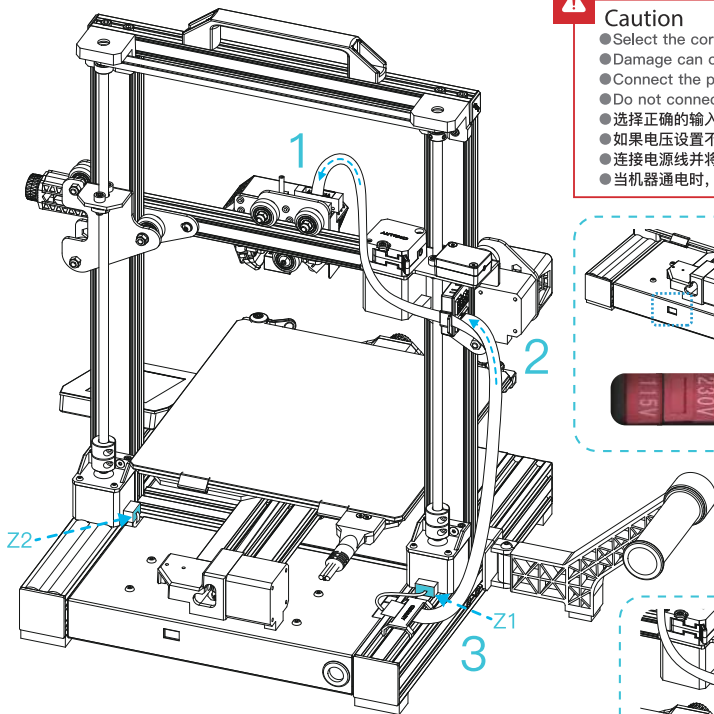
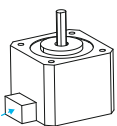
5 Power Adapter x 1
电源线



Z1

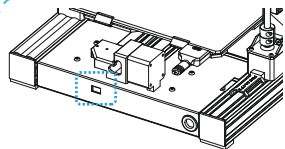


Z2

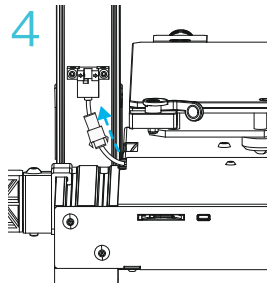
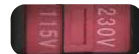


Caution

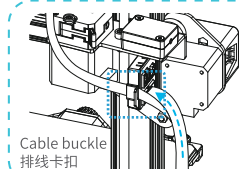
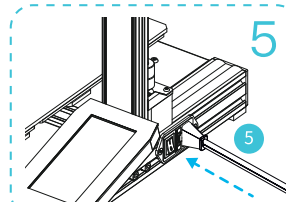
- Select the correct input voltage to match your local mains (115/230V)
- Damage can occur if voltage is set incorrectly.
- Connect the power cord and turn the power switch to 1 to turn it on.
- Do not connect or disconnect the cables when the machine is powered on.
- 选择正确的输入电压以匹配您的本地电源 (115/230V)
- 如果电压设置不正确, 可能会造成损坏。
- 连接电源线并将电源开关拨至1档即可开机
- 当机器通电时, 请勿连接或断开连接线。



2



4

Cable buckle
排线卡扣

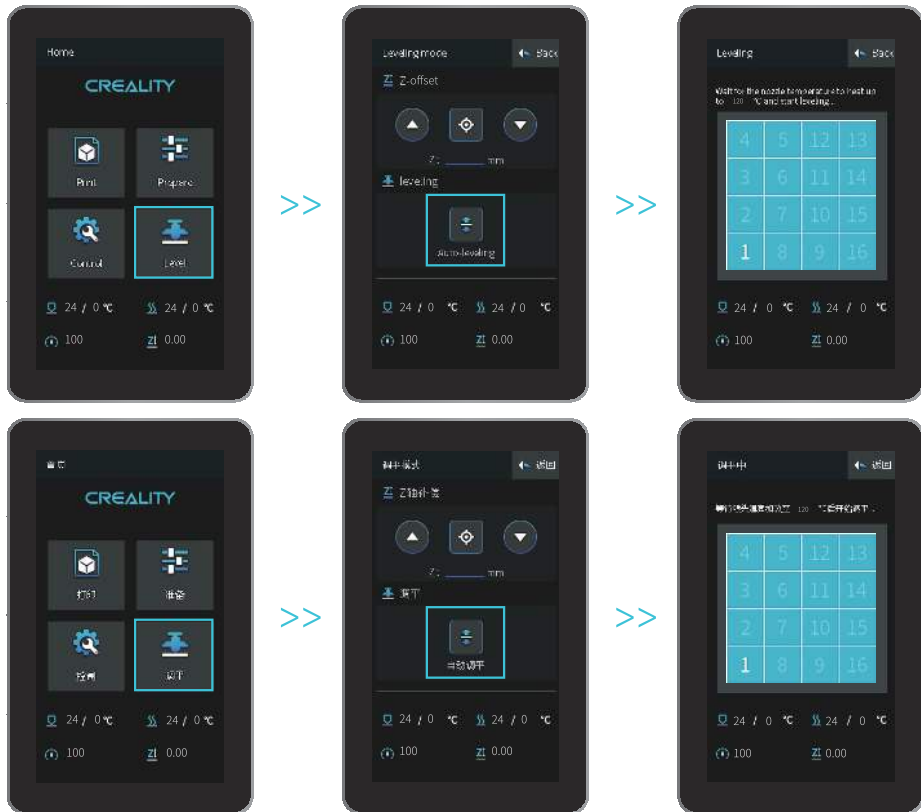
5

7

Level the Platform 调平平台

1 Select "Level" to automatically level 选择首页调平, 即可自动调平

2 After the leveling is completed, adjust the Z-axis compensation value according to the adhesion of the printing consumables and the glass 调平完成后, 依据打印耗材与玻璃平台的粘附情况, 适当调节Z轴补偿值



During the leveling process, please do not touch the Teflon tube and nozzle cable.

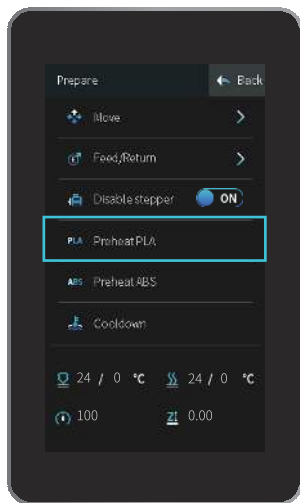
调平过程中, 请不要触碰铁氟龙管及喷头排线。

8

Preheating Method 1

预热方法1

Method 1



方法1



Note: The UI information is only for reference, the actual UI may be different.

注意：界面仅供参考，实际以UI为准。

9

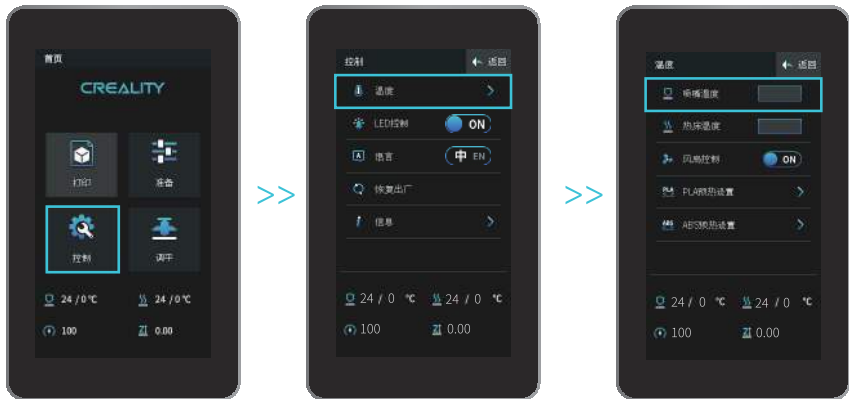
Preheating Method 2

预热方法2

Method 2



方法2



Note: The print preheating standard is adjusted at the factory, PLA preheating standard: nozzle temperature 200 °, hot bed temperature 60 °, ABS preheating standard: nozzle temperature 240 °, hot bed temperature 70 °.

If you need to adjust it due to printing materials or other reasons, you can adjust the parameters on the interface home page control → temperature → PLA / ABS preheat setting.

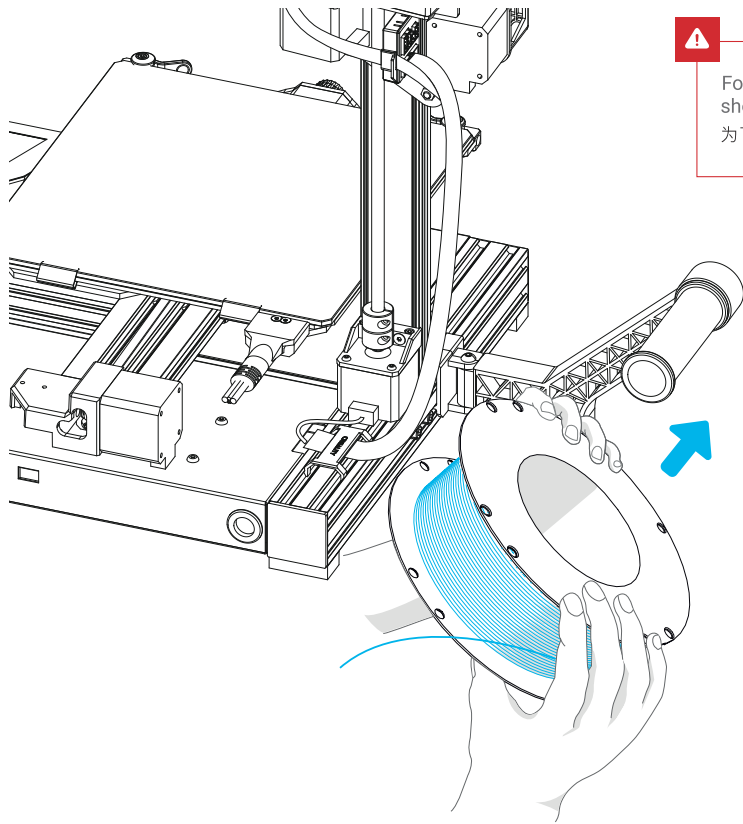
注意：打印预热参数标准出厂时已调整好，PLA预热标准：喷嘴温度200°，热床温度60°，ABS预热标准：喷嘴温度240°，热床温度70°。

若因打印材料或其他原因需要调整，可以在界面首页控制→温度→PLA/ABS预热设置进行参数调整。

10

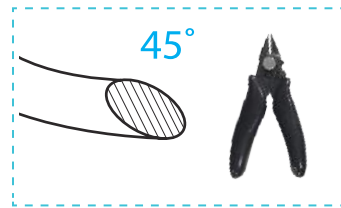
When you wait for the temperature to rise, hang the filament over the filament holder.

当您等待温度上升时,把耗材挂在料架上。



For smoother Load Filament , the end of the filament should be placed as shown above.

为了顺利完成装料,耗材的末端位置应如图所示。



11

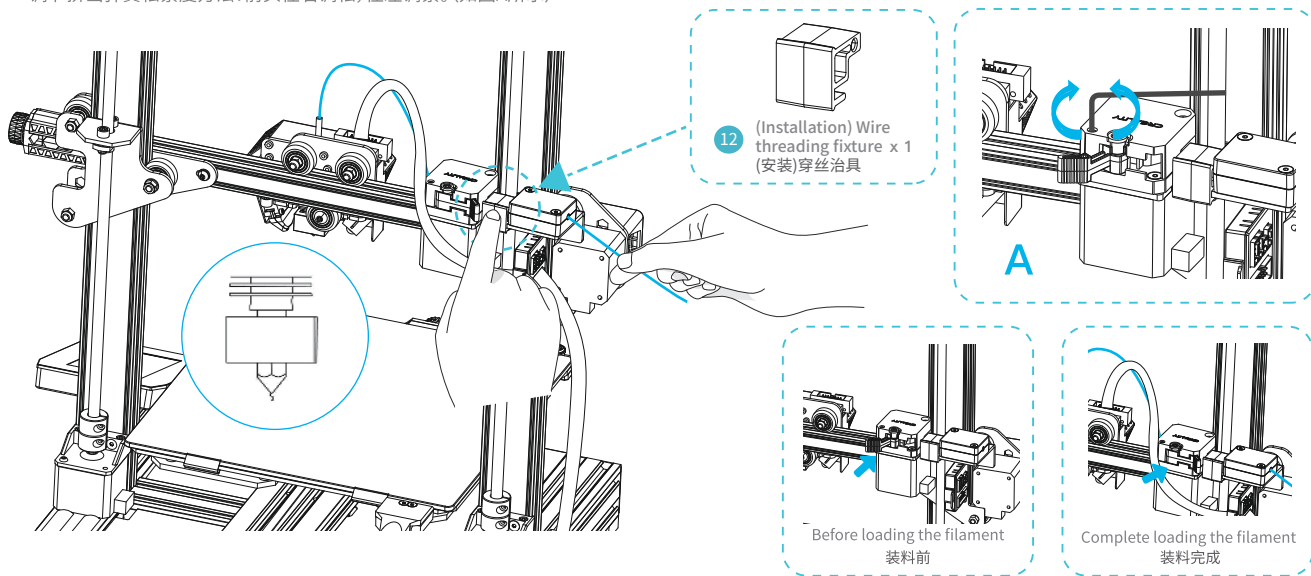
Load Filament 装料

When the current temperature reaches the target temperature, the consumables pass the material breakage detection, and are inserted into the small hole of the extruder until the position of the nozzle. If the consumables flow out at the nozzle, it means that the consumables have been loaded.

Method of adjusting the tightness of the extrusion spring: Arrow to right is tightening, arrow to left is loosen. (As shown in figure A)

当前温度达到目标温度时,将耗材通过断料检测,插入挤出机小孔直至喷嘴位置,看到喷嘴处有耗材流出即表示耗材已经装载完成。

调节挤出弹簧松紧度方法:箭头往右调松,往左调紧。(如图A所示)



Tips: How to replace the filament?

1. Cutting filament near the Extruder and slowly feed new filament until they are fed into the new filament.
2. Withdrawing the filament quickly and feeding the new filament after nozzle preheated and filament pushed a little forward.

Tips: 如何更换耗材?

方法一、在靠近挤出机处将耗材剪断,将新耗材缓缓送入,直到耗材被送入导料管为止。

方法二、预热喷嘴后,将耗材往前推进一下后,迅速抽出耗材,将新耗材送入。

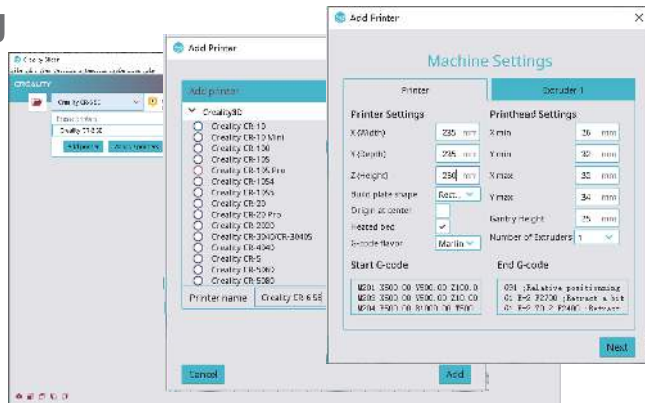
12

Start Printing

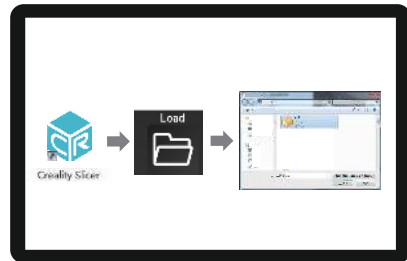
开始打印



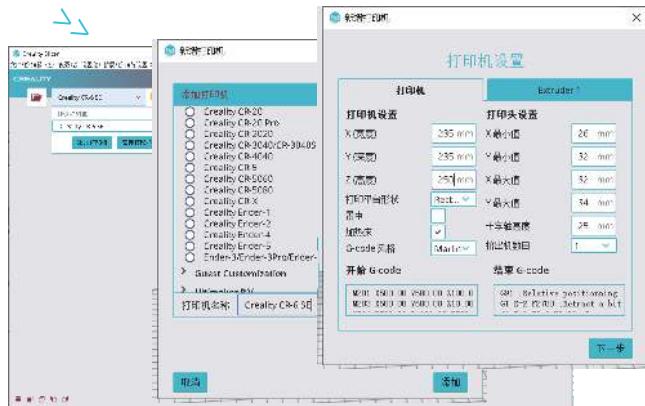
1. Double click to install the software. | 安装软件
2. Double click to open the software. | 打开软件



3. Select language → Next → Select your machine → Next → Finish.



4. Open Creality 3D slicer → Load (Read file) → Select file. 打开创想三维切片软件 → Load (读取文件) → 选择文件。

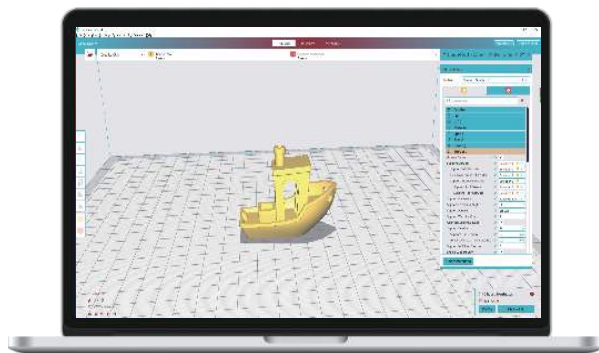


3. 依次选择语言 → Next → 选择对应机型 → Next → Finish, 完成设置。

13

Start Printing

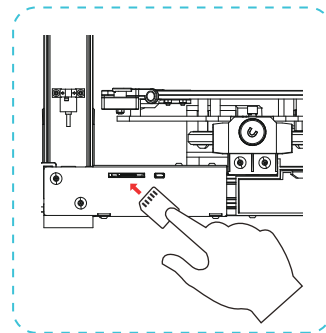
开始打印



5. Generate G-code, and save the gcode file to storage card.
生成 G 代码→保存到存储卡



File names must be Latin letters or numbers, not Chinese characters or other special symbols
文件名需为拉丁字母或数字, 不能为汉字或其他特殊符号



6. Insert the storage card→ Click print control→ Select the file to be printed.
插入存储卡→点击打印控件→选择要打印的文件



Notes: For details on the software instructions, please refer to the slicing software manual in the memory card!
温馨提示: 软件使用说明详情, 请见存储卡内切片软件使用手册!

14

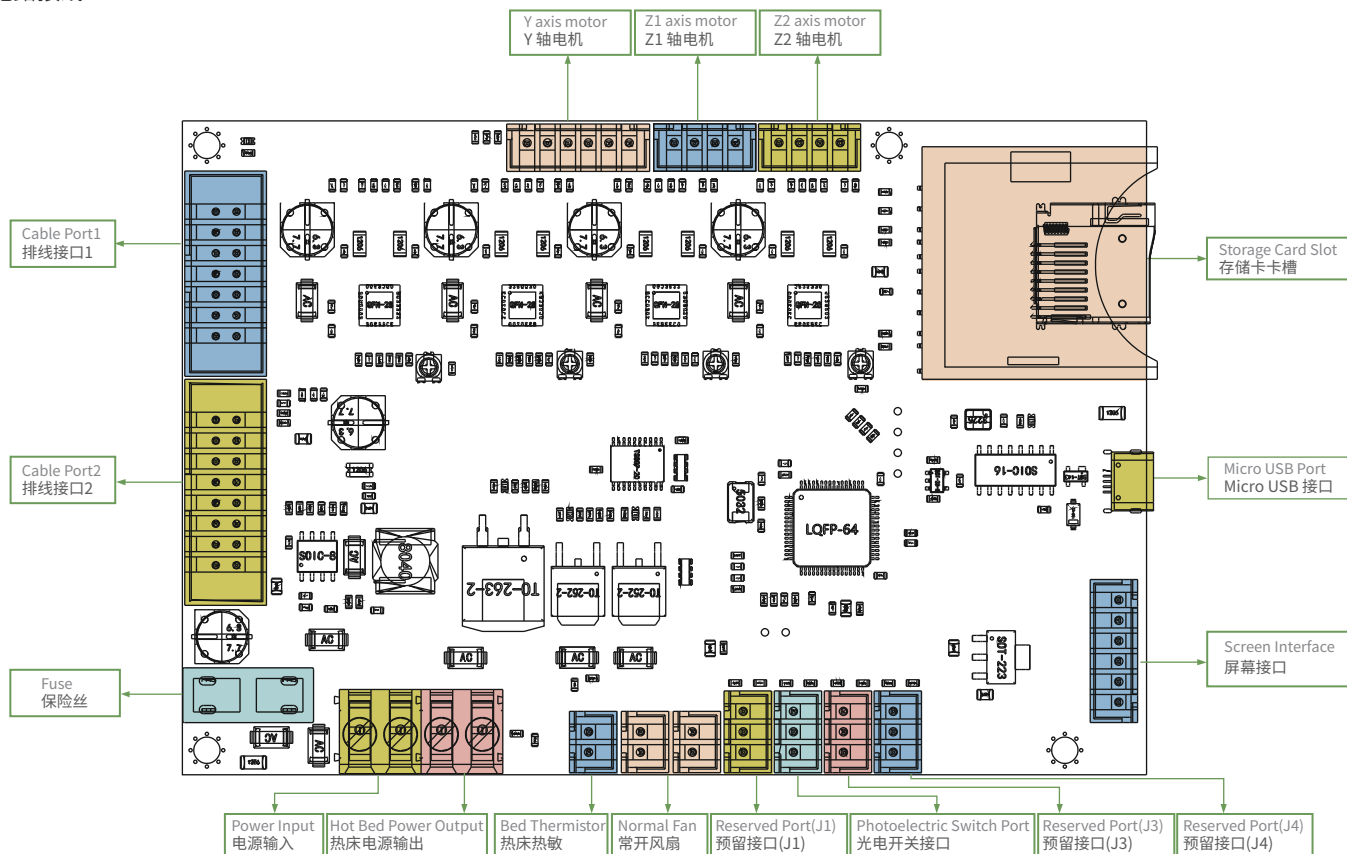
Start Printing

开始打印

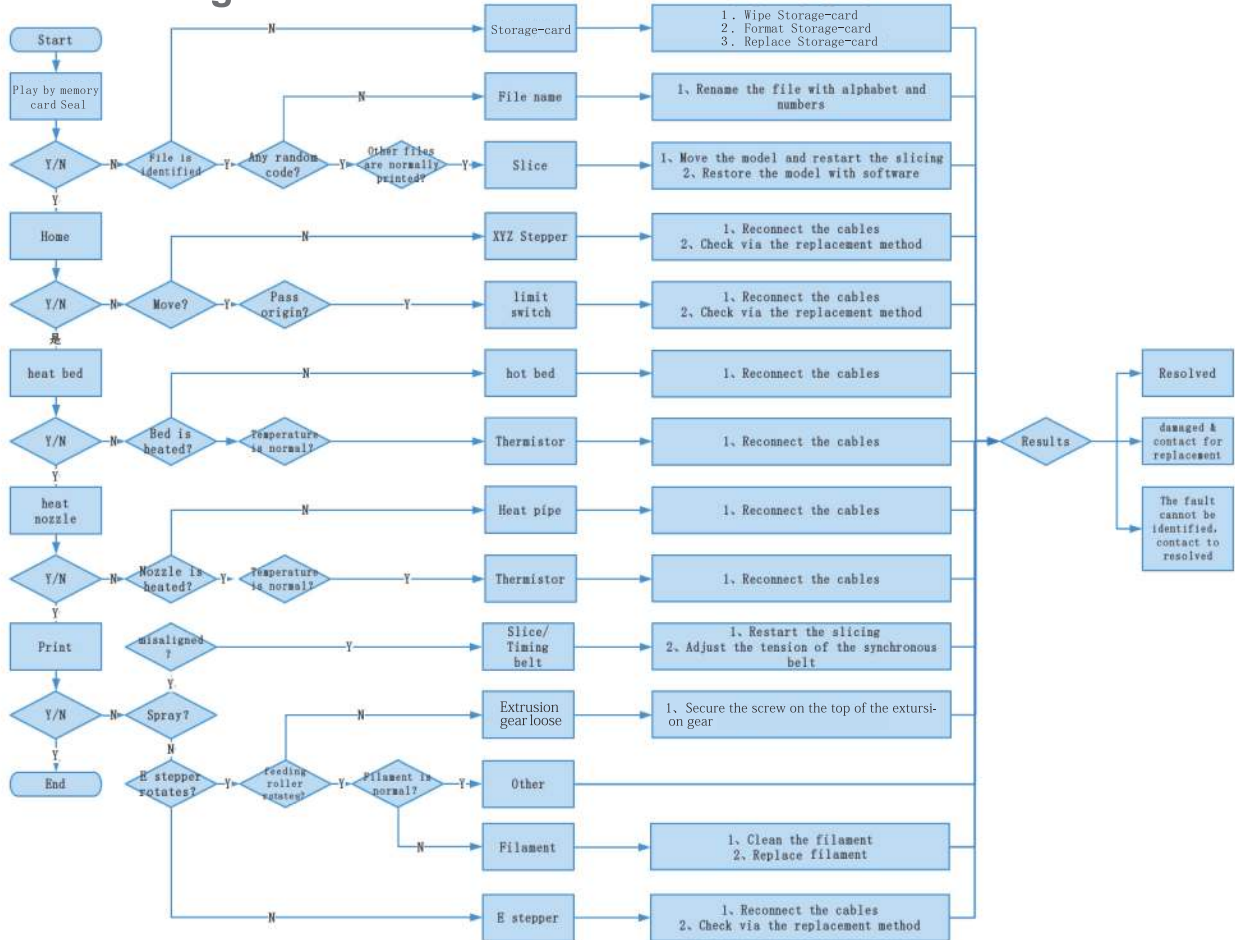


Circuit Wiring

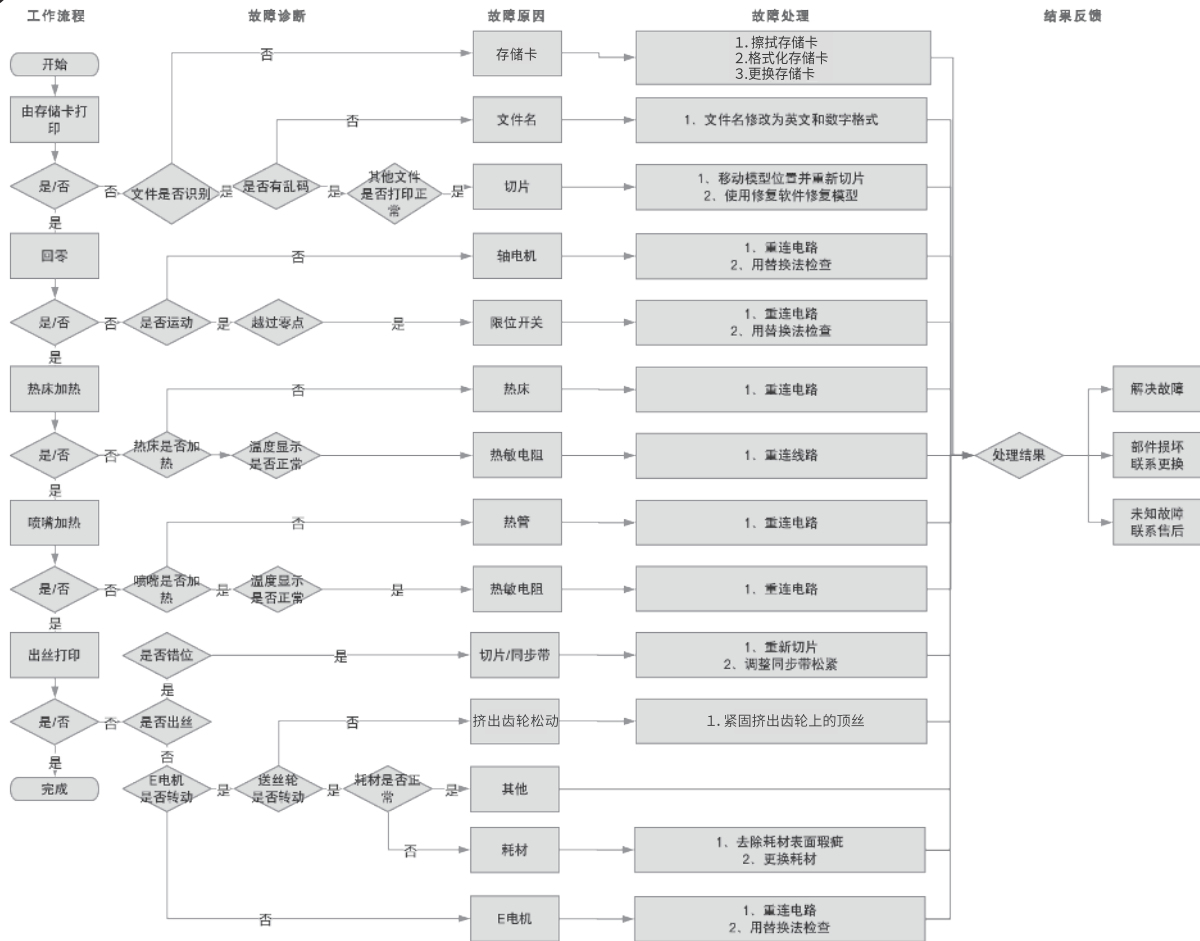
电路接线



Trouble-Shooting



故障检修



Due to the differences between different machine models, the physical objects and the final images can differ. The final explanation rights shall be reserved by Shenzhen Creality 3D Technology Co., Ltd.

因每款机型不同,实物与图可能有所差异,请以实物为准,最终解释归深圳市创想三维科技有限公司所有。



SHENZHEN CREALITY 3D TECHNOLOGY CO.,LTD.

11F & Room 1201,Block 3,JinChengYuan,Tongsheng Community,
Dalang,Longhua District,Shenzhen,China,518109

Official Website: www.creality.com

Tel: +86 755-8523 4565

E-mail: info@creality.com cs@creality.com



深圳市创想三维科技有限公司

深圳市龙华区大浪街道同胜社区金城工业园第三栋1201、11层

公司网站: www.cxsw3d.com

服务热线: 400 6133 882

0755-8523 4565

