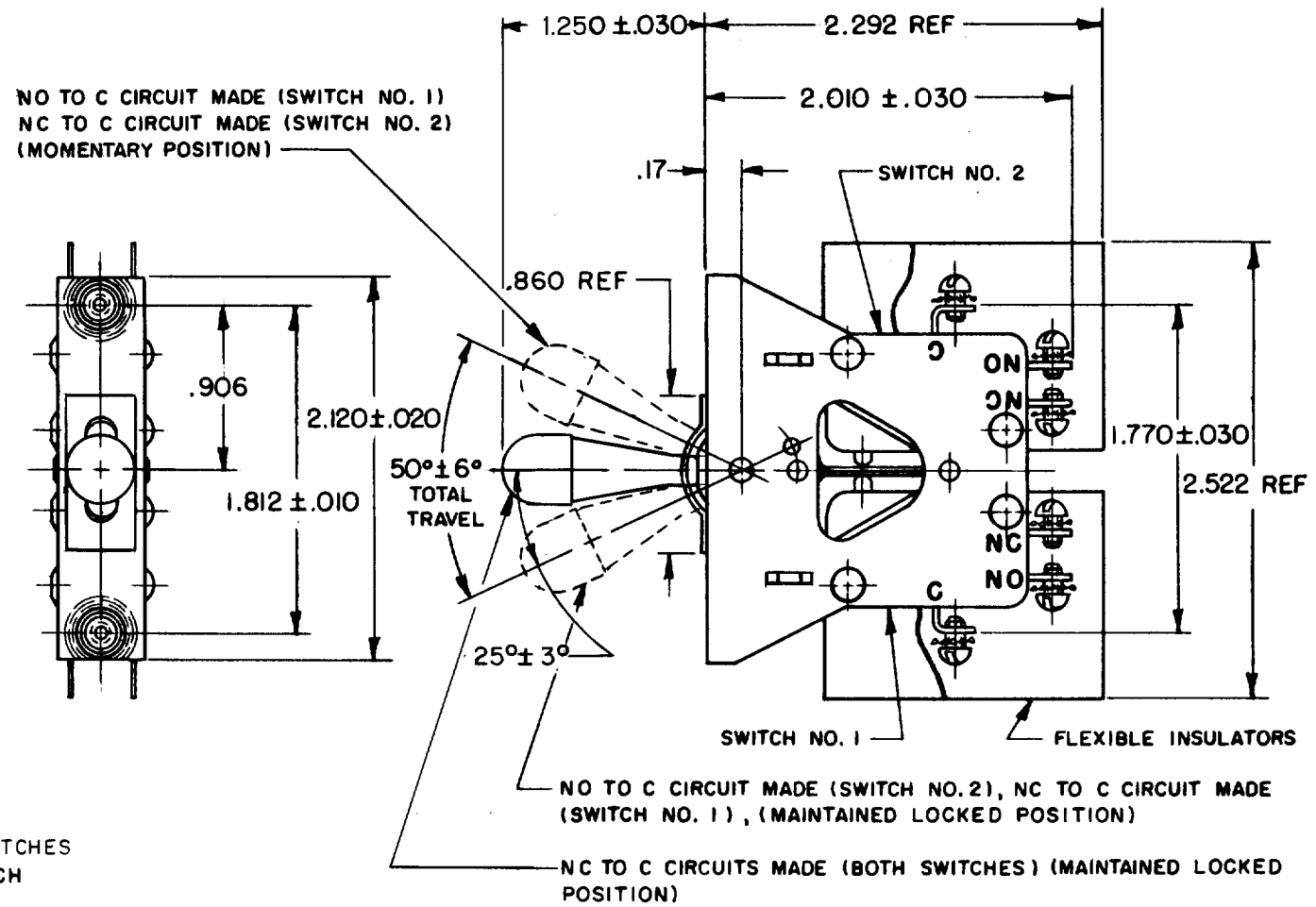
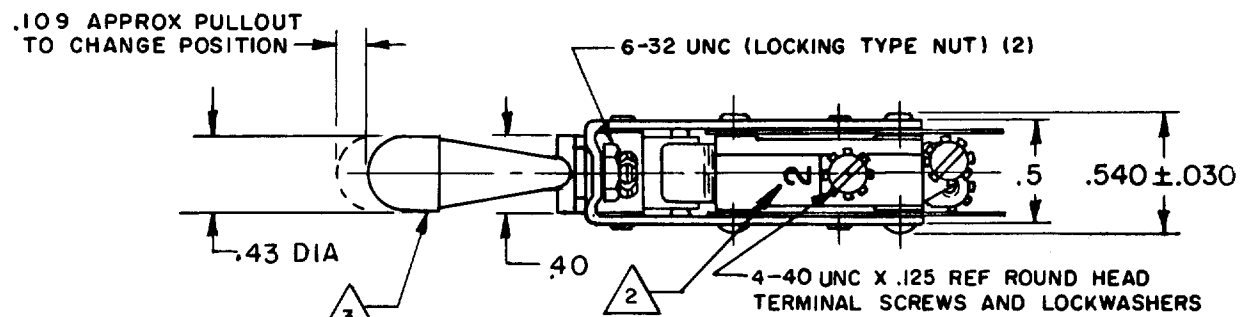


HONEYWELL
PART NUMBER
111AT25
FAA-PMA

REV	DOCUMENT	CHANGED BY	CHECK
13	0007018	KR 12AUG04	AK



- NOTES**
- 1 - UNIT INCLUDES CATALOG LISTING V3-201 BASIC SWITCHES
 - BASIC SWITCH NO. MARKED ON EACH BASIC SWITCH
 - FLAT WHITE RESILIENT SILICONE RUBBER (50 DUROMETER APPROX)
 - FOR MANUFACTURING DETAIL SEE ASSEMBLY DRAWING 111AT25 FOR FAA-PMA

ELECTRICAL DATA	
CONTACT ARRANGEMENT S P D T (2)	
15 A - 1/3 HP - 125 OR 250 VAC 1/2 A - 125 VDC; 1/4 A - 250 VDC	

DESIGN UNITS: INCH
TOLERANCES UNLESS NOTED:

NO PLACE	X	±	
ONE PLACE	.X	±	0.030
TWO PLACE	.XX	±	0.015
THREE PLACE	.XXX	±	0.005
FOUR PLACE	.XXXX	±	
ANGLES		±	

THIRD ANGLE PROJECTION

DRAWN	MBF	10MAR66
CHECK	LSD	11MAR66
THIS DRAWING COVERS A PROPRIETARY ITEM AND IS THE PROPERTY OF HONEYWELL. THIS DRAWING IS NOT TO BE COPIED OR USED WITHOUT THE PERMISSION OF HONEYWELL.		
INTERPRET PER ASME Y14.5M-1994 OTHER HONEYWELL ENGINEERING STANDARDS MAY APPLY		
RASTER		

Honeywell			
TITLE ASSEMBLY - TOGGLE SWITCH			
SIZE	TYPE	DRAWING NAME	REV
B	I	111AT25	13
SCALE	1:1	SHEET	1 OF 1