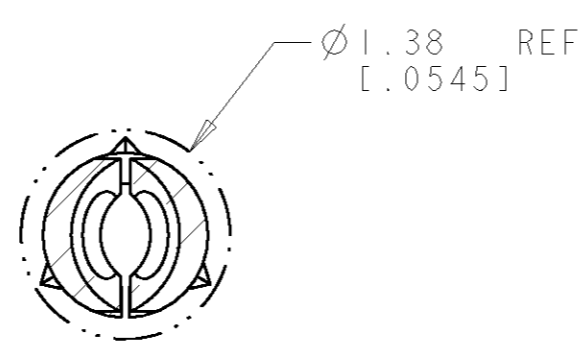
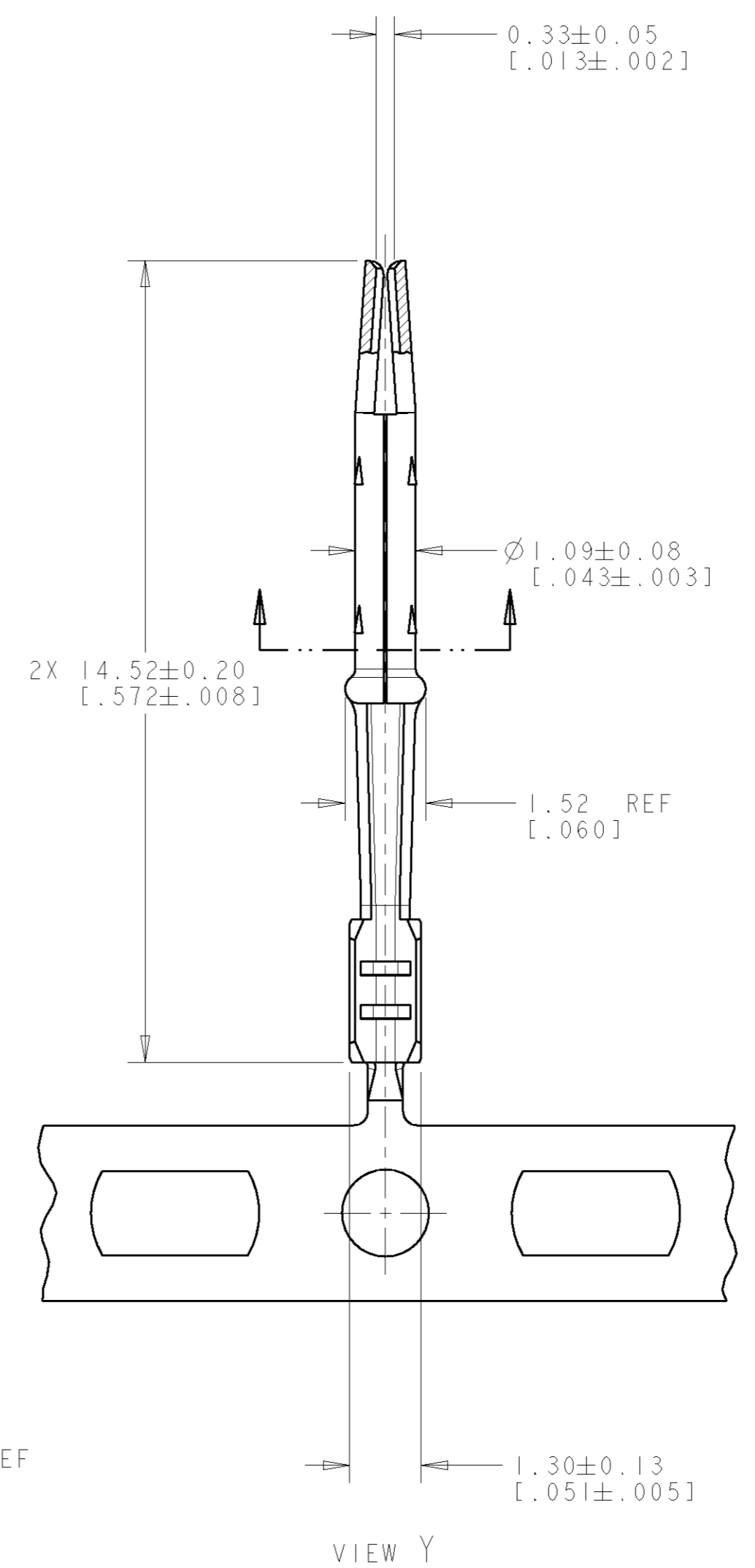
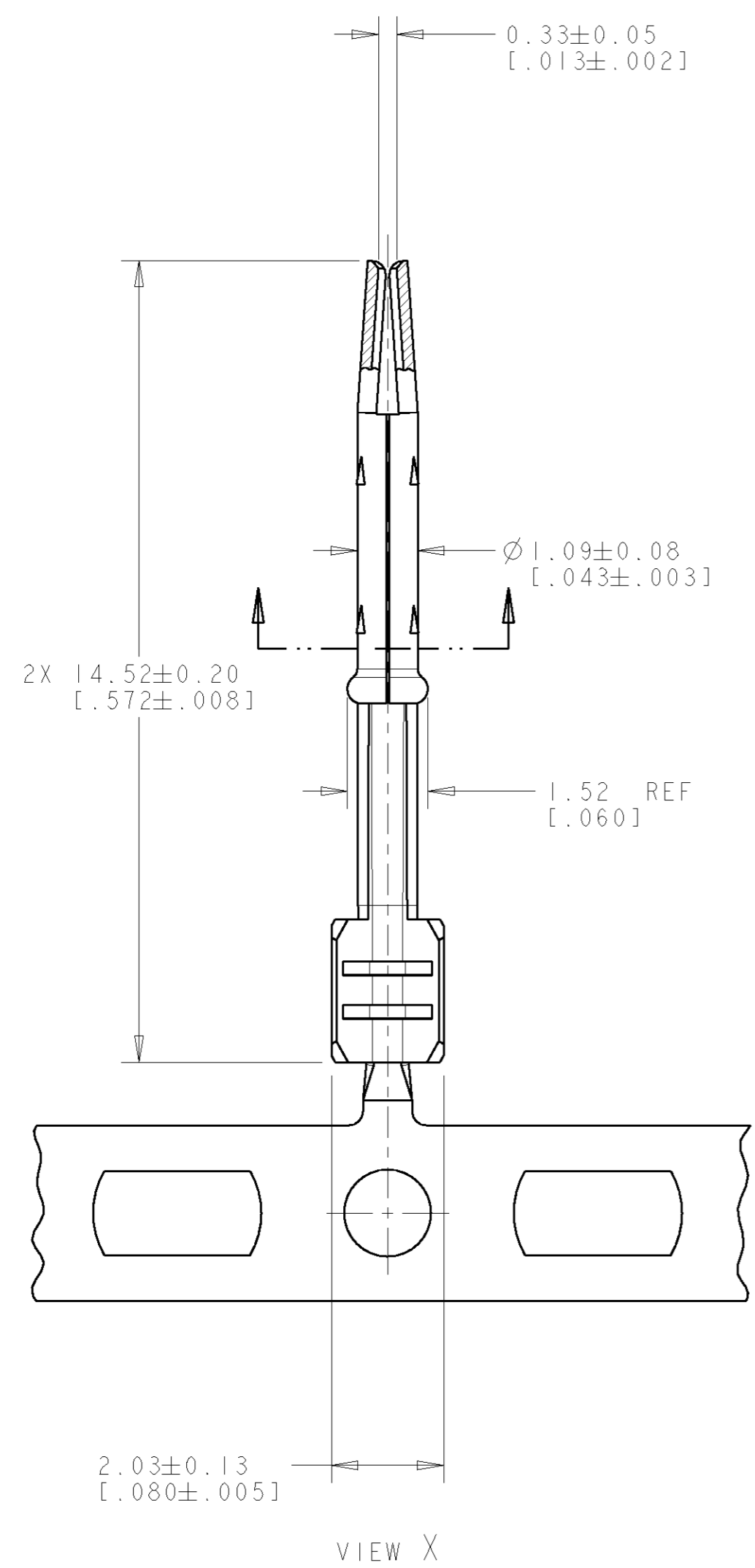


THIS DRAWING IS UNPUBLISHED. RELEASED FOR PUBLICATION 20  
 © COPYRIGHT 20 BY TYCO ELECTRONICS CORPORATION. ALL RIGHTS RESERVED.

LOC	DIST	REVISIONS					
		P	LTR	DESCRIPTION	DATE	DWN	APVD
1N	00		O	RELEASED PER EC 0K40-329-04	15SEP2004	DJH	LLV
			A	REVISED PER EC 0K40-0056-05	15FEB2005	DLD	LLV



SECTION R-R  
SCALE 20:1

- ① PHOSPHOR BRONZE.
- ② 5.08µm [.000200] MIN TIN OVER 1.27µm [.000050] MIN NICKEL.

RG-62/U MODIFIED, RG-71/U MODIFIED	Y	1438731-4
RG-59, RG-62/U, RG-71/U	X	1438731-2
APPLICABLE CABLE SIZES	VIEW	PART NUMBER

THIS DRAWING IS A CONTROLLED DOCUMENT FOR TYCO ELECTRONICS CORPORATION IT IS SUBJECT TO CHANGE AND THE CONTROLLING ENGINEERING ORGANIZATION SHOULD BE CONTACTED FOR THE LATEST REVISION.		DWN D. J. HARDY 15SEP2004	Tyco Electronics Harrisburg, PA 17105-3608	
DIMENSIONS: mm [INCHES]		CHK J. M. RAUDENBUSH 15SEP2004	NAME CENTER CONTACT, FEMALE, SNAP-LOCK	
TOLERANCES UNLESS OTHERWISE SPECIFIED:		APVD J. M. RAUDENBUSH 15SEP2004	SIZE A200779	
0 PLC ± 1 PLC ± 2 PLC ± 3 PLC ± 4 PLC ± ANGLES ± FINISH		PRODUCT SPEC -	DRAWING NO 114-13125	
MATERIAL ① - ② -		APPLICATION SPEC 114-13125	RESTRICTED TO -	
		WEIGHT -	SCALE 10:1 SHEET 1 OF 1 REV A	
		CUSTOMER DRAWING		

1438731