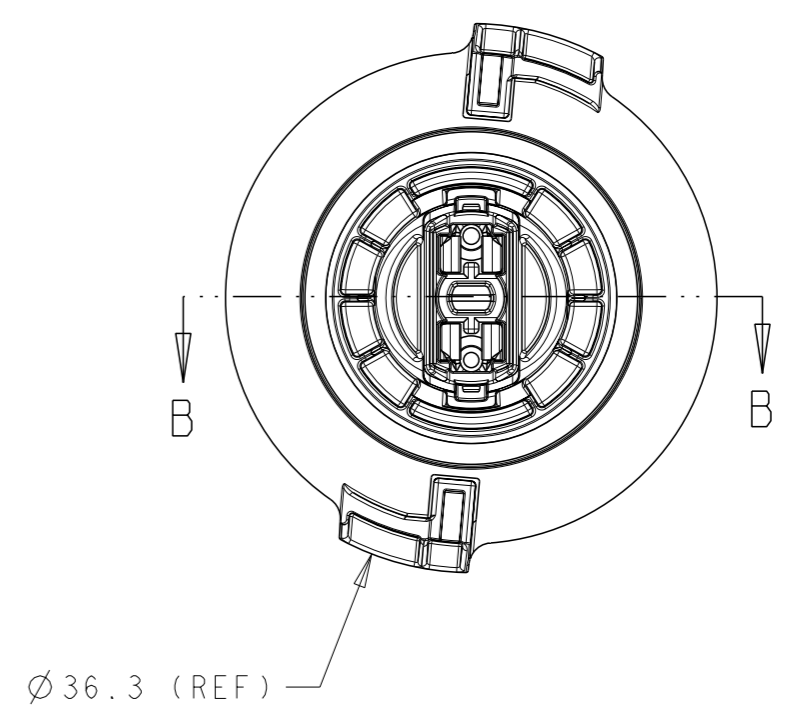
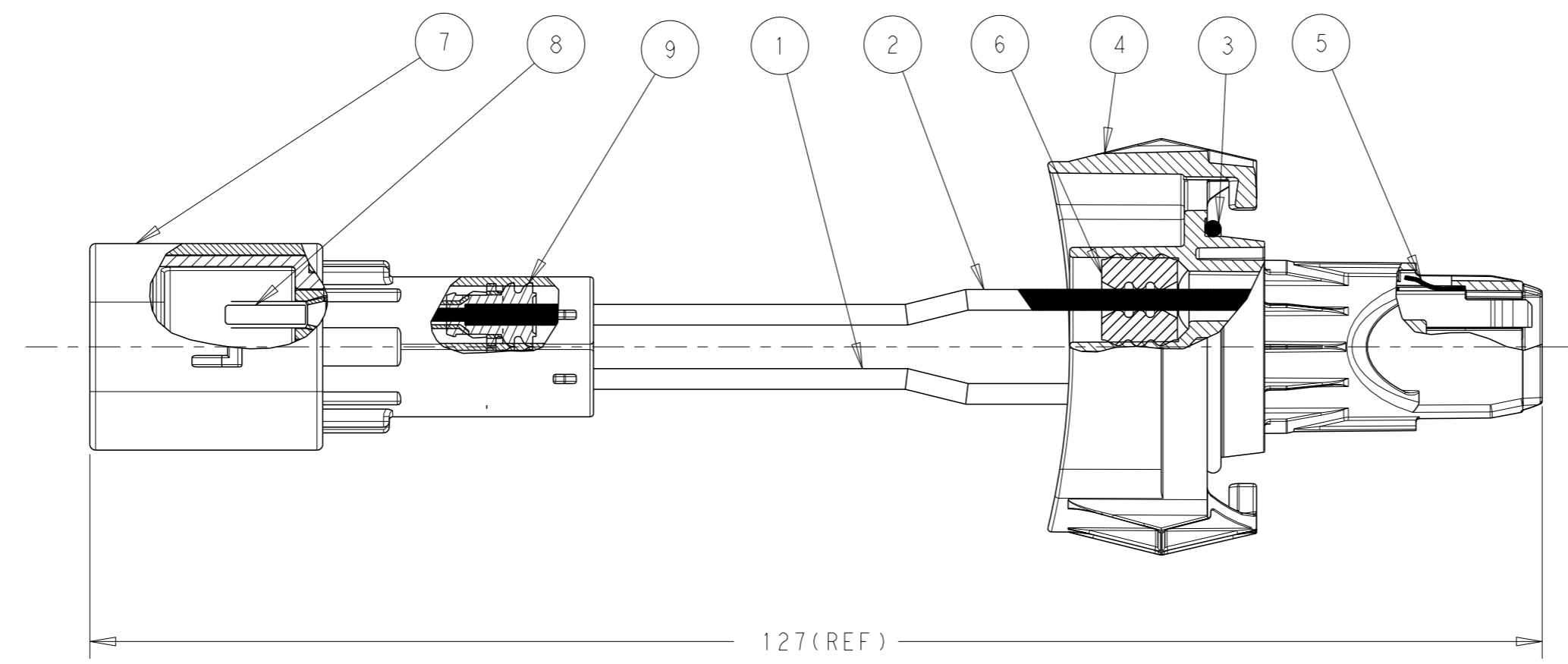
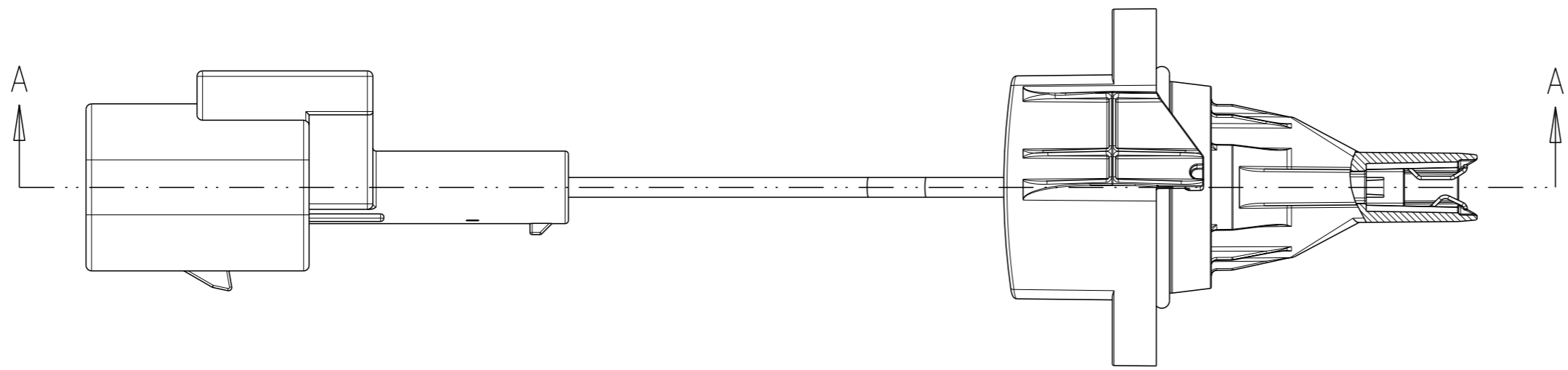


THIS DRAWING IS UNPUBLISHED. RELEASED FOR PUBLICATION 20
 © COPYRIGHT 20 ALL RIGHTS RESERVED.

LOC	DIST	REVISIONS			
P	LTR	DESCRIPTION	DATE	DWN	APVD
AP	-	A	CHANGE STATUS ECO-12-001364	23JAN2012	NCL WAO



SECTION A-A

1 - CABO FLY-B CONF. DIN 72551 PARTE 6 TIPO B
 TEMPERATURA: MIN. -40° C / MAX. 105°C
 FIO: 0,75mm²
 COR: CONFORME TABELA

CABO FLY-B ACC. TO DIN 72551 PART 6 TYPE B
 TEMPERATURA: MIN. -40° C / MAX. 105°C
 CABLE: 0,75mm²
 COLOR: ACC. TO TABLE

REQ. PER ASSY	ITEM	DESCRIPTION	NOTES
2	09	SINGLE WIRE SEAL	
2	08	.090 MLC SEALED TAB CONTACT	
1	07	.090 SEALED 2P CAP ASS'Y	
2	06	WIRE SEAL FOR POSITION BULB	
2	05	REC TML FOR POSITION BULB 2P	
1	04	HSG. LAMP SOCKET W5W	
1	03	O'RING	
1	02	RED CABLE	
1	01	BLACK CABLE	
-1			

THIS DRAWING IS A CONTROLLED DOCUMENT.

DWN: 04OUT2011 F. CHRISTIANO
 CHK: 05OUT2011 W. OLIVEIRA
 APVD: 05OUT2011 J. R. GOLDSCHMIDT

STE TE Connectivity

NAME: LAMP SOCKET HARNESS W5W LAMP LIFT GATE SIDE

SIZE: A2 CAGE CODE: 00779 DRAWING NO: C-2133430 RESTRICTED TO: ---

WEIGHT: 15g

SCALE: 2:1 SHEET 1 OF 1 REV A

CUSTOMER DRAWING

