

CUSTOMER PRINT

PART NUMBER: 6380-XSG-5XX

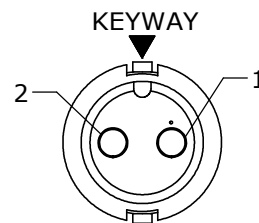
NOTES:

1. ALL PARTS TO BE BULK PACKED
2. CONTACTS SHIPPED UNASSEMBLED
3. ALL DIMENSIONS ARE REFERENCE EXCEPT THOSE WITH A TOLERANCE

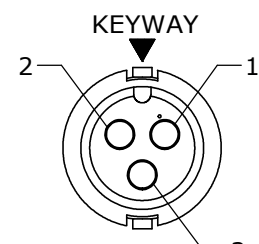
KIT P/N	GROMMET SIZE
6380-XSG-513	.148 GROMMET I.D. FOR CABLE O.D. .13-.15 [3.3-3.8mm]
6380-XSG-516	.176 GROMMET I.D. FOR CABLE O.D. .16-.18 [4.1-4.6mm]
6380-XSG-519	.206 GROMMET I.D. FOR CABLE O.D. .19-.21 [4.8-5.3mm]
6380-XSG-522	.245 GROMMET I.D. FOR CABLE O.D. .22-.25 [5.6-6.3mm]
6380-XSG-526	.265 GROMMET I.D. FOR CABLE O.D. .25-.27 [6.4-6.9mm]
6380-XSG-528	.280 GROMMET I.D. FOR CABLE O.D. .265-.285 [6.6-7.2mm]

ASSY P/N	NO. OF CONTACTS
6380-2SG-5XX	2 #16
6380-3SG-5XX	3 #16
6380-4SG-5XX	4 #16
6380-5SG-5XX	5 #16
6380-XSG-5XX	

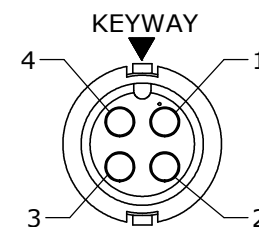
GROMMET SIZE
NO. OF CONTACTS



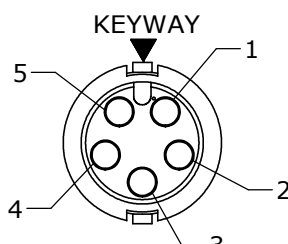
FACE VIEW
6380-2SG-5XX



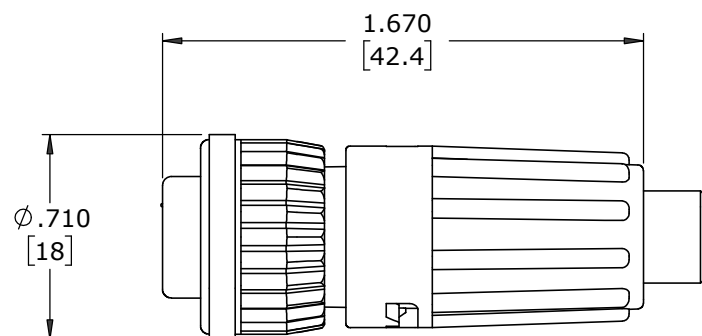
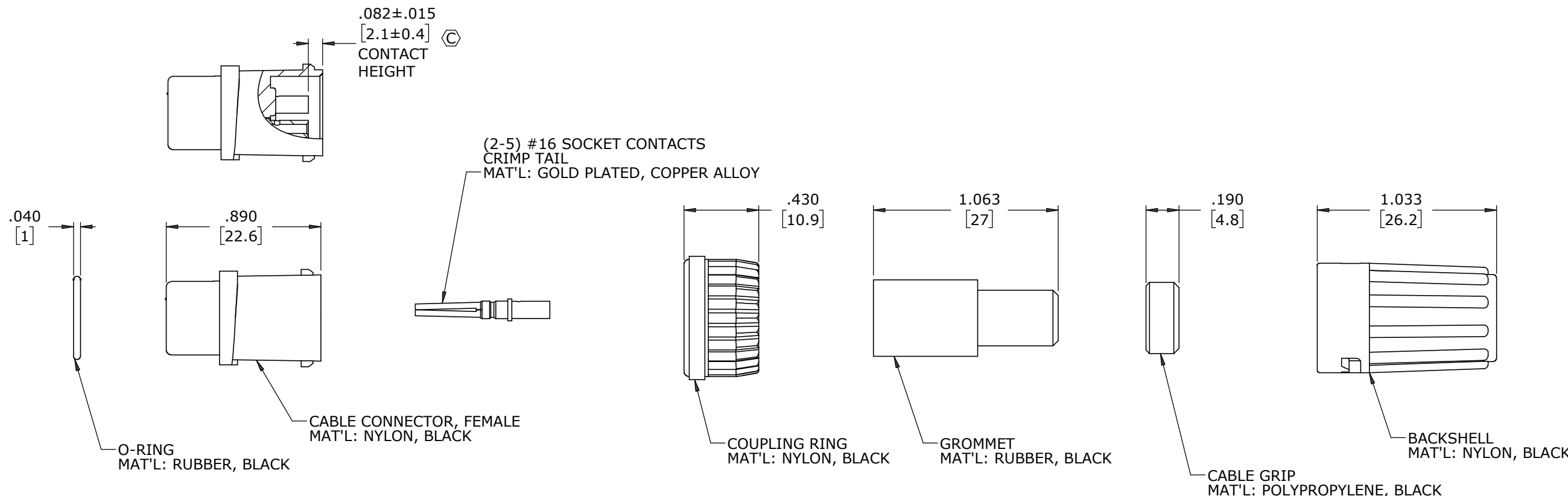
FACE VIEW
6380-3SG-5XX



FACE VIEW
6380-4SG-5XX



FACE VIEW
6380-5SG-5XX



SHOWN ASSEMBLED KIT
FOR CUSTOMER REFERENCE ONLY

DIMENSIONS IN BRACKETS [] ARE METRIC.

CUSTOMER APPROVAL

THIS DOCUMENT CONTAINS CONFIDENTIAL INFORMATION PROPRIETARY TO CONXALL CORPORATION. ANY REPRODUCTION, DISCLOSURE, OR USE OF THIS DOCUMENT /INFORMATION IS EXPRESSLY PROHIBITED UNLESS AUTHORIZED IN WRITING BY CONXALL CORPORATION.

APPROVED BY: _____

DATE: _____

RoHS COMPLIANT

REV.	INIT.	DATE	DESCRIPTION
C	MA	02-12-21	ADDED 6380-XSG-526 TO CHART, CONTACT HEIGHT VIEW AND STANDARDIZED DRAWING PER ECR 9544
B	PAK	01-24-13	ADDED GROMMET 6283-528 FOR A .285 DIA. PER DOR 12-5009TC
A	AN	02-24-11	DRAWING CREATED PER DOR 11-E149SL

ALL INFORMATION ILLUSTRATED IS THE PROPERTY OF "CONXALL CORPORATION". UNAUTHORIZED DUPLICATION OR DISTRIBUTION OF THIS DOCUMENT IS PROHIBITED.	ORIG. DRAWN BY: AN DATE: 02-24-11	conxall 601 E. WILDWOOD VILLA PARK, IL 60181
ALL UNITS ARE IN FEET, INCHES, FRACTION OF INCHES AND DECIMALS. UNLESS OTHERWISE SPECIFIED TOLERANCES: 3 PLACE DECIMALS ±.010 ANGLES ±1° FRACTIONS ±1/16 - CRITICAL CHARACTERISTIC FLAG PER SPEC. XXXX	CHECKED BY:	
APPROVED BY:	SCALE: NTS SIZE: B SHEET: 1 OF 1	TITLE: CABLE CONNECTOR KIT (2-5) #16 SOCKET CONTACTS MINI-CON-X
FILE: 6380-XSG-5XX	DIRECTORY: SLW	CUSTOMER: STANDARD PRODUCT
		PART NUMBER: 6380-XSG-5XX
		REV: c