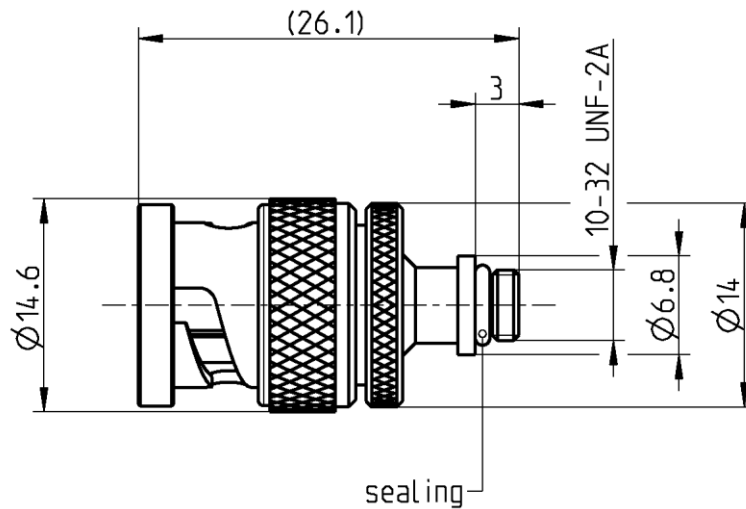


BNC 50 Ω Adaptor  
BNC 50 Ω Plug –  
Microdot Jack

**51S131-K00N5**



All dimensions are in mm; tolerances according to ISO 2768 m-H

**Interface**

According to BNC side: DIN EN 61169-8  
Microdot side: intermateable with MALCO microdot

**Documents**

N/A

**Material and plating**

**Connector parts**

Center contact BNC and Microdot side  
Outer contact BNC and Microdot side  
Body  
Dielectric  
Gasket  
Gasket

**Material**

CuBe  
Brass  
Brass  
PTFE  
NeopreneCR 50C6  
Silicone

**Plating**

AuroDur®, gold plated  
Flash white bronze over silver(e.g. Optargen®)  
Flash white bronze over silver(e.g. Optargen®)

# Technical Data Sheet

# Rosenberger

BNC 50 Ω Adaptor  
BNC 50 Ω Plug –  
Microdot Jack

## 51S131-K00N5

### Electrical data

Impedance	50 Ω	
Frequency	DC to 2 GHz	
Return loss	≥ 25 dB, DC to 1 GHz	
	≥ 15 dB, 1 to 2 GHz	
Insertion loss	≤ 0.1 x √ f [GHz] dB	
Insulation resistance	≥ 5 x 10 <sup>9</sup> MΩ	
Center contact resistance	≤ 1.5 mΩ, BNC side;	≤ 3 mΩ, Microdot side
Outer contact resistance	≤ 1 mΩ, BNC side;	≤ 3 mΩ, Microdot side
Test voltage	1000 V rms	
Working voltage	400 V rms	
Contact current (DC)	≤ 3 A typ.	

### Mechanical data

Mating cycles	BNC side min. 500	Microdot side min. 500
Center contact captivation: axial	≥ 15 N	≥ 15 N

### Environmental data

Temperature range	-55°C to +155°C
Thermal shock	MIL-STD-202, Meth. 107, Cond. B
Corrosion	MIL-STD-202, Meth. 101, Cond. B
Vibration	MIL-STD-202, Meth. 204, Cond. B
Shock	MIL-STD-202, Meth. 213, Cond. G
Moisture resistance	MIL-STD-202, Meth. 106
RoHS	compliant

### Tooling

N/A

### Suitable cables

N/A

### Weight

Weight 13.4 g/pce

While the information has been carefully compiled to the best of our knowledge, nothing is intended as representation or warranty on our part and no statement herein shall be construed as recommendation to infringe existing patents. In the effort to improve our products, we reserve the right to make changes judged to be necessary.

For the installation of the electrotechnical equipment, particular electrotechnical expertise is required.



Draft	Date	Approved	Date	Rev.	Engineering change number	Name	Date
Chr. Entfellner	17.07.08	Chr. Janßen	17.12.20	f00	20-1927	S. Huber-Siegl	17.12.20
Rosenberger Hochfrequenztechnik GmbH & Co. KG P.O.Box 1260 D-84526 Tittmoning Germany <a href="http://www.rosenberger.com">www.rosenberger.com</a>					Tel. : +49 8684 18-0 Email : <a href="mailto:info@rosenberger.com">info@rosenberger.com</a>		Page 2 / 2