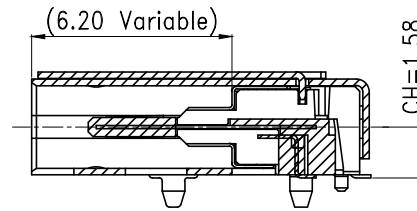
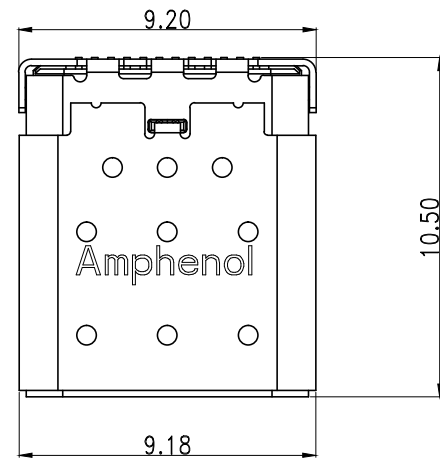


This document is the property of Amphenol Corporation and is delivered on the express condition that it is not to be disclosed, reproduced or used, in whole or in part, for manufacture or sale by anyone other than Amphenol Corporation without its prior consent, & that no right is granted to disclose or to use any information in this document.

CUSTOMER DRAWING

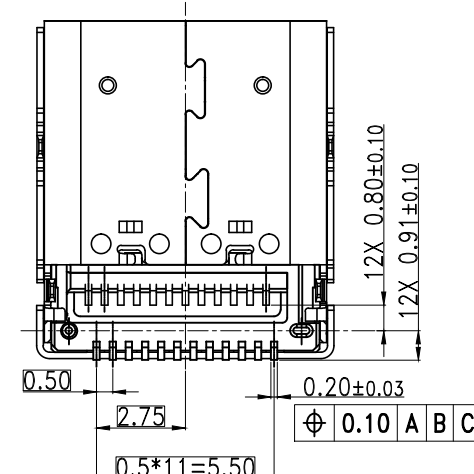
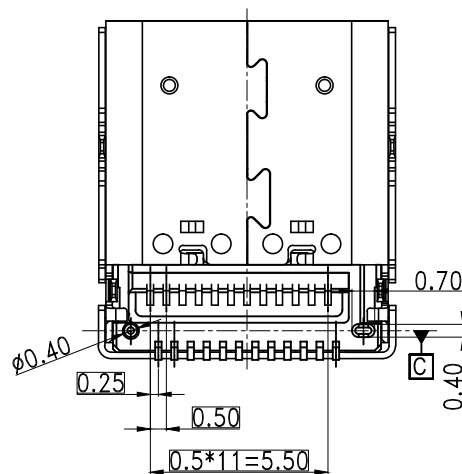
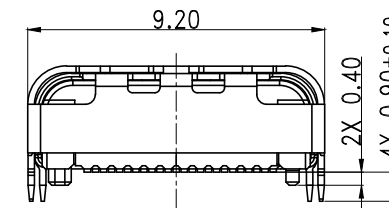
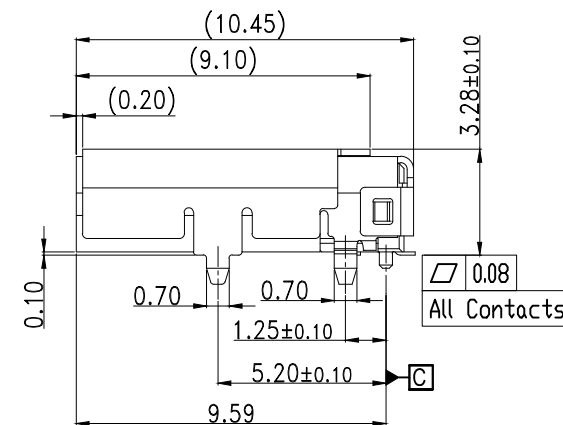
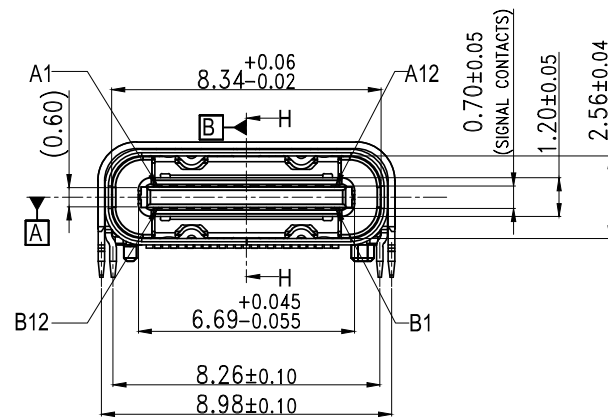
REVISIONS

SYM	ECN	DESCRIPTION	DATE	APPROVED
1	20200001	NEW RELEASE	2020/01/07	Tom.Tang



SECTION H-H

Pin No	Signal Name	Mating Sequence	Pin No	Signal Name	Mating Sequence
A1	GND	First	B12	GND	First
A2	TX1+	Second	B11	RX1+	Second
A3	TX1-	Second	B10	RX1-	Second
A4	Vbus	First	B9	Vbus	First
A5	CC1	Second	B8	SBU2	Second
A6	D+	Second	B7	D-	Second
A7	D-	Second	B6	D+	Second
A8	SBU1	Second	B5	CC2	Second
A9	Vbus	First	B4	Vbus	First
A10	RX2-	Second	B3	TX2-	Second
A11	RX2+	Second	B2	TX2+	Second
A12	GND	First	B1	GND	First
SHELL	GND		SHELL	GND	



UNLESS OTHERWISE SPECIFIED TOLERANCES		APPROVAL		DATE																
		U.S.	METRIC																	
.X	+/-	0.50																		
.XX	+/-	0.15																		
.XXX	+/-	0.10																		
FRACTIONS	+/-																			
ANGLES	+/-		3°																	
FOR MATERIALS AND FINISHES SEE NOTES		DRAWING FILE :																		
REMOVE SHARP EDGES		ANGLE OF PROJECTION																		
DIMENSIONS																				
U.S.	INCHES																			
(METRIC)	(MM)																			
		<table border="1"> <tr> <th>DRAWN</th> <th>DATE</th> </tr> <tr> <td>Fai.Wu</td> <td>01/07/20</td> </tr> <tr> <th>CHECKED</th> <th>DATE</th> </tr> <tr> <td>Wilson.Lu</td> <td>01/07/20</td> </tr> <tr> <th colspan="2">DRAWING FILE :</th> </tr> <tr> <td colspan="2">R:\DC\Engineering\data\RD\工程图客户图</td> </tr> </table>		DRAWN	DATE	Fai.Wu	01/07/20	CHECKED	DATE	Wilson.Lu	01/07/20	DRAWING FILE :		R:\DC\Engineering\data\RD\工程图客户图						
DRAWN	DATE																			
Fai.Wu	01/07/20																			
CHECKED	DATE																			
Wilson.Lu	01/07/20																			
DRAWING FILE :																				
R:\DC\Engineering\data\RD\工程图客户图																				
		<table border="1"> <tr> <th colspan="2">Amphenol</th> </tr> <tr> <td colspan="2">Amphenol East Asia Limited</td> </tr> <tr> <th colspan="2">TITLE</th> </tr> <tr> <td colspan="2">USB 3.1 GEN2, Type C socket connector, R/A ,top mount, Double SMT type, CH=1.58mm, No Waterproof</td> </tr> <tr> <th>SIZE</th> <th>DRAWING NO.</th> </tr> <tr> <td>A3</td> <td>C 12401824</td> </tr> <tr> <th>SCALE</th> <th>SHEET</th> </tr> <tr> <td>NONE</td> <td>1 OF 2</td> </tr> </table>		Amphenol		Amphenol East Asia Limited		TITLE		USB 3.1 GEN2, Type C socket connector, R/A ,top mount, Double SMT type, CH=1.58mm, No Waterproof		SIZE	DRAWING NO.	A3	C 12401824	SCALE	SHEET	NONE	1 OF 2	
Amphenol																				
Amphenol East Asia Limited																				
TITLE																				
USB 3.1 GEN2, Type C socket connector, R/A ,top mount, Double SMT type, CH=1.58mm, No Waterproof																				
SIZE	DRAWING NO.																			
A3	C 12401824																			
SCALE	SHEET																			
NONE	1 OF 2																			
		<table border="1"> <tr> <th>REV.</th> </tr> <tr> <td>1</td> </tr> </table>	REV.	1																
REV.																				
1																				

This document is the property of Amphenol Corporation and is delivered on the express condition that it is not to be disclosed, reproduced or used, in whole or in part, for manufacture or sale by anyone other than Amphenol Corporation without its prior consent, & that no right is granted to disclose or to use any information in this document.

CUSTOMER DRAWING

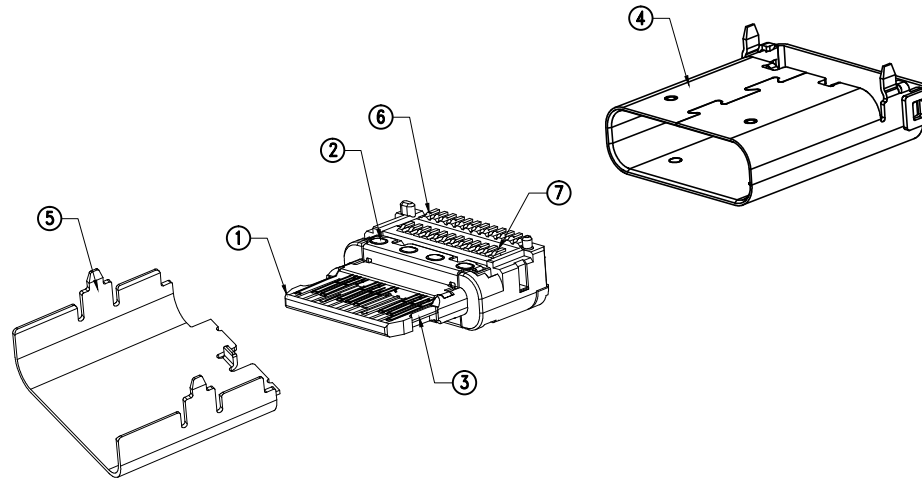
REVISIONS

SYM	ECN	DESCRIPTION	DATE	APPROVED

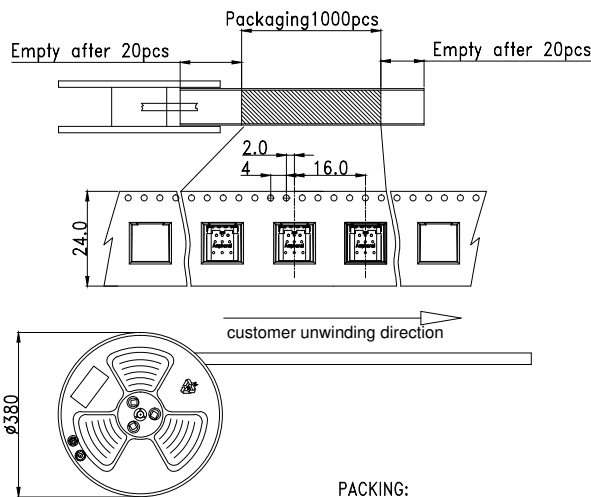
NOTES/注释:

- MATERIAL/材料: SEE TABLE/见下表
- GENERAL SPECIFICATION/通用特性:
 - COPLANARITY /共面度: 0.10 Max.
 - CURRENT RATING: 5A / 额定电流: 5安培
 - CONTACT RESISTANCE: 40mΩ MAX (INITIAL).
INSULATION RESISTANCE: 100MΩ Min
接触电阻: 40毫欧最大(初始值) / 绝缘电阻: 100MΩ Min
 - DIELECTRIC WITHSTANDING VOLTAGE: 100 VAC
耐电压: 100伏交流
 - MECHANICAL CHARACTERISTICS:
INSERTION FORCE: 5~20N EXTRACTION FORCE: 8~20N
AFTER DURABILITY EXTRACTION FORCE: 6~20N
力学特性: 初始插入力: 5~20N 拔出力: 8~20N
耐久后拔出力: 6~20N
 - DURABILITY: 10000 CYCLES / 耐久性: 10000次
 - PACKAGING TYPE: CARRIER TAPE./ 包装类型: 载带包装
- DIMENSIONING SHALL BE INTERPRETED PER ASME Y14.5M 1994.
尺寸标注基于ASME Y14.5M 1994标准规范
- MATERIAL SHOULD BE FULFILLED AMPHENOL SPEC.# S-SN-002, FOR HALOGEN FREE PRODUCTS, ALSO NEED TO MEET S-SN-004.
产品材料环保标准为Amphenol SSN#002,如果是无卤产品需满足标准SSN#004
- ORDER P/N SYSTEM/产品料号编码系统 : 12401824XX12A

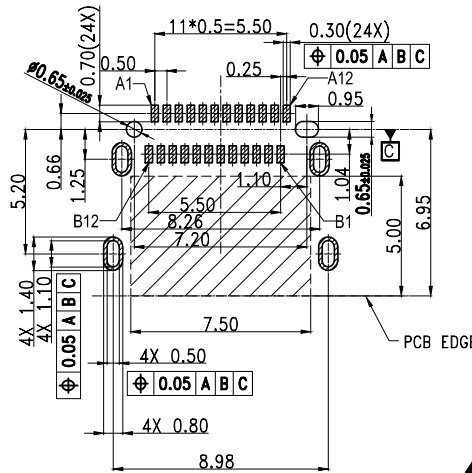
Plating Spec: _____
 E4: Mating Area: Au 30u" Min
 Solder Area: 100u" Min Matte Tin
 50u"Min Nickel Under Plating Over All



EXPLODE VIEW (SCALE N/A)



PACKING:
 1. 1000 PCS/REEL.
 2. 8 REEL/CARTON.



ITEM	DESCRIPTION	Q'TY	MATERIAL
7	EMC	2	STAINLESS STEEL
6	MID PLATE	1	STAINLESS STEEL
5	OUT SHELL	1	STAINLESS STEEL
4	MAIN SHELL	1	STAINLESS STEEL
3	BOTTOM TERMINAL	1	COPPER ALLOY
2	TOP TERMINAL	1	COPPER ALLOY
1	MOLDING HOUSING	1	HIGH TEMPERATURE PLASTIC
			BLACK UL94V-0

BILL OF MATERIAL			
UNLESS OTHERWISE SPECIFIED TOLERANCES		APPROVAL DATE	
U.S. METRIC		DRAWN Fat.Wu	01/07/20
.X +/-	0.50	CHECKED Welson.Liu	01/07/20
.XX +/-	0.15	CHECKED	
.XXX +/-	0.10		
FRACTIONS +/-	3'	DRAWING FILE : R:\DC-Engineering\data\RD1_1\010605.P10	
FOR MATERIALS AND FINISHES SEE NOTES		REMOVE SHARP EDGES	
		ANGLE OF PROJECTION	
DIMENSIONS		SIZE DRAWING NO.	
U.S. INCHES	(MM)	A3	C 12401824
(METRIC)	(MM)	SCALE	NONE
		SHEET	2 OF 2
		REV.	1

Amphenol

Amphenol East Asia Limited

TITLE USB 3.1 GEN2, Type C socket connector,
 R/A ,top mount, Double SMT type,
 CH=1.58mm, No Waterproof

SCALE NONE SHEET 2 OF 2