

# SACC-DSI-FSB-5CON-L180/SH VT - Device connector, rear mounting



1456488

<https://www.phoenixcontact.com/pc/products/1456488>

Please be informed that the data shown in this PDF document is generated from our online catalog. Please find the complete data in the user documentation. Our general terms of use for downloads are valid.



Device connector, rear mounting, 5-position, Socket, straight, M12-SPEEDCON, coding: B , Rear mounting, Pg9, Solder pins, Alternative product in accordance with RoHS II without Exemption 6c (Pb <0.1%) item no.: 1239813

## Your advantages

- Easy PCB assembly: one-piece connectors for wave soldering
- All standard pin assignments and codings for signal, data, and power transmission with a uniform design-in design
- For high transmission reliability: optional shield connection to the housing by means of shield contact

## Commercial data

Item number	1456488
Packing unit	20 pc
Minimum order quantity	20 pc
Product key	ABQEHB
Catalog page	Page 62 (PC-2011)
GTIN	4046356617222
Weight per piece (including packing)	14.61 g
Weight per piece (excluding packing)	14.5 g
Customs tariff number	85366990
Country of origin	DE

# SACC-DSI-FSB-5CON-L180/SH VT - Device connector, rear mounting



1456488

<https://www.phoenixcontact.com/pc/products/1456488>

## Technical data

### Notes

General	The electrical and mechanical data specified assume that the connector pair is correctly locked and mounted. If the connector is unlocked and if there is a danger of contamination, the connector must be sealed using a protective cap > IP54. Influences arising from litz wires, cables or PCB assembly must also be taken into consideration.
General	Lock nut is included in the scope of delivery

### Mounting

Mounting type	Rear mounting Pg9 With flat nut
Assembly instructions	With flat nut
Connection method	Solder pins

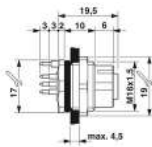
### Product properties

Product type	Circular connectors (device side)
Number of positions	5
Shielded	yes
Coding	B

### Insulation characteristics

Overvoltage category	II
Degree of pollution	3

### Dimensions

Dimensional drawing	
Length of the solder pin	6 mm 6 mm

### Material specifications

Flammability rating according to UL 94	V0
Seal material	NBR
Contact material	CuZn
Contact surface material	Au
Contact carrier material	PA 6.6
Material for screw connection	Zinc die-cast, nickel-plated

### Electrical properties

# SACC-DSI-FSB-5CON-L180/SH VT - Device connector, rear mounting



1456488

<https://www.phoenixcontact.com/pc/products/1456488>

Rated surge voltage	1.5 kV
Contact resistance	$\leq 3 \text{ m}\Omega$
Insulation resistance	$\geq 100 \text{ M}\Omega$
Nominal voltage $U_N$	60 V
Nominal current $I_N$	4 A

## Connection data

### Conductor connection

Connection method	Solder pins
-------------------	-------------

## Mechanical properties

### Mechanical data

Insertion/withdrawal cycles	> 100
-----------------------------	-------

## Connector

### Connection 1

Head design	Socket
Head cable outlet	straight
Head thread type	M12
Head locking type	SPEEDCON
Coding	B

## Environmental and real-life conditions

### Ambient conditions

Degree of protection	IP67 (When plugged in)
	IP65 (When plugged in)
	IP65/IP67
Ambient temperature (operation)	-25 °C ... 85 °C (Plug / socket)

## Standards and regulations

### M12

Standard designation	M12 connector
Standards/specifications	IEC 61076-2-101

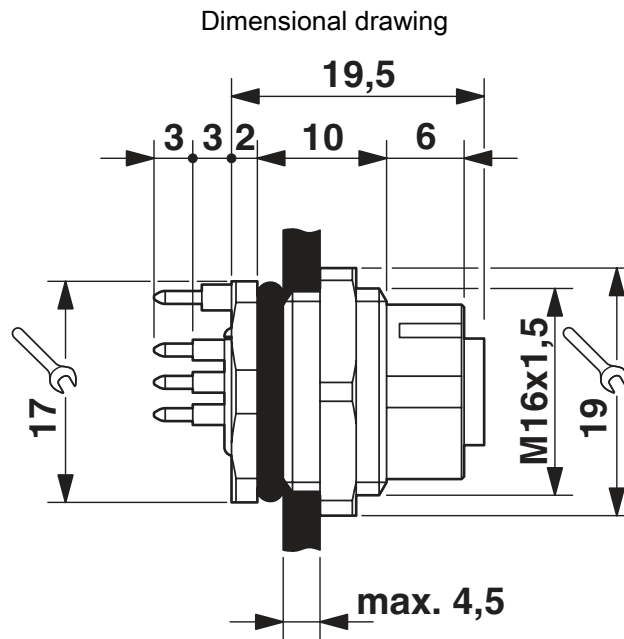
# SACC-DSI-FSB-5CON-L180/SH VT - Device connector, rear mounting



1456488

<https://www.phoenixcontact.com/pc/products/1456488>

## Drawings



Dimensional drawing

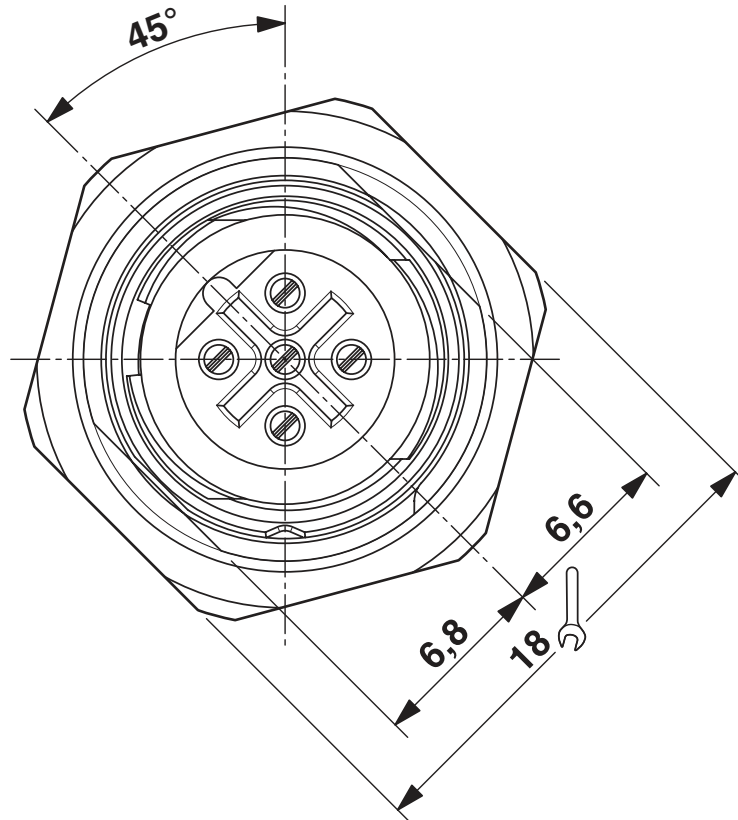
# SACC-DSI-FSB-5CON-L180/SH VT - Device connector, rear mounting



1456488

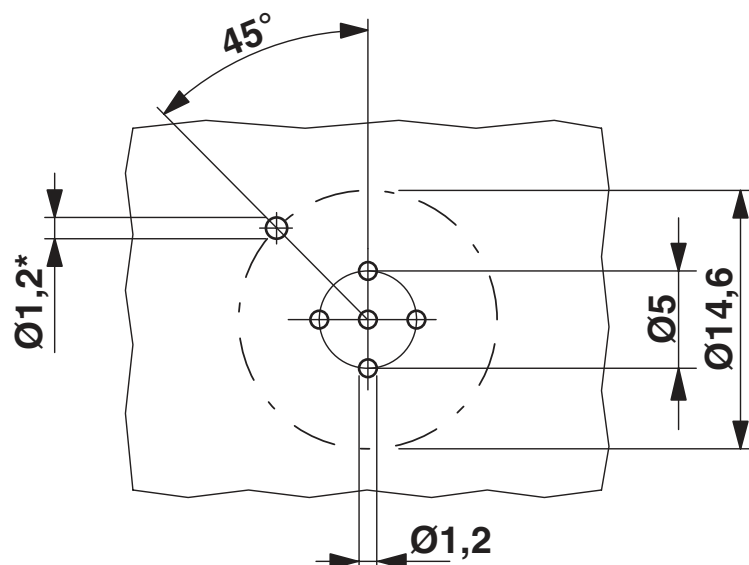
<https://www.phoenixcontact.com/pc/products/1456488>

Dimensional drawing



M12 front view

Drilling plan/solder pad geometry

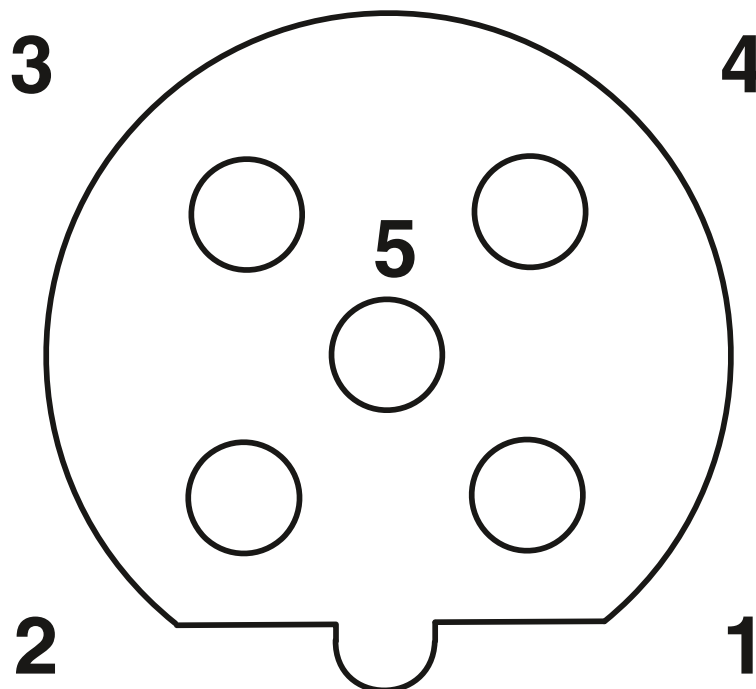


# SACC-DSI-FSB-5CON-L180/SH VT - Device connector, rear mounting

1456488

<https://www.phoenixcontact.com/pc/products/1456488>

Schematic diagram



Pin assignment M12 socket, 5-pos., B-coded, female side

# SACC-DSI-FSB-5CON-L180/SH VT - Device connector, rear mounting



1456488

<https://www.phoenixcontact.com/pc/products/1456488>

## Approvals

To download certificates, visit the product detail page: <https://www.phoenixcontact.com/pc/products/1456488>



**EAC**

Approval ID: B.01687



**cULus Recognized**

Approval ID: E221474-20140616

	Nominal voltage $U_N$	Nominal current $I_N$	Cross section AWG	Cross section $\text{mm}^2$
	60 V	4 A	22 - 20	-



**UL Recognized**

Approval ID: E118976-20100522

	Nominal voltage $U_N$	Nominal current $I_N$	Cross section AWG	Cross section $\text{mm}^2$
	60 V	4 A	- 22	-

# SACC-DSI-FSB-5CON-L180/SH VT - Device connector, rear mounting



1456488

<https://www.phoenixcontact.com/pc/products/1456488>

## Classifications

### ECLASS

ECLASS-11.0	27440102
ECLASS-12.0	27440116
ECLASS-13.0	27440116

### ETIM

ETIM 8.0	EC002635
----------	----------

### UNSPSC

UNSPSC 21.0	39121400
-------------	----------



# SACC-DSI-FSB-5CON-L180/SH VT - Device connector, rear mounting



1456488

<https://www.phoenixcontact.com/pc/products/1456488>

## Environmental product compliance

REACH SVHC	Lead 7439-92-1
China RoHS	Environmentally Friendly Use Period = 50 years
	For information on hazardous substances, refer to the manufacturer's declaration available under "Downloads"

Phoenix Contact 2023 © - all rights reserved  
<https://www.phoenixcontact.com>

PHOENIX CONTACT GmbH & Co. KG  
Flachmarktstraße 8  
D-32825 Blomberg  
+49 (0) 5235-3 00  
[info@phoenixcontact.com](mailto:info@phoenixcontact.com)