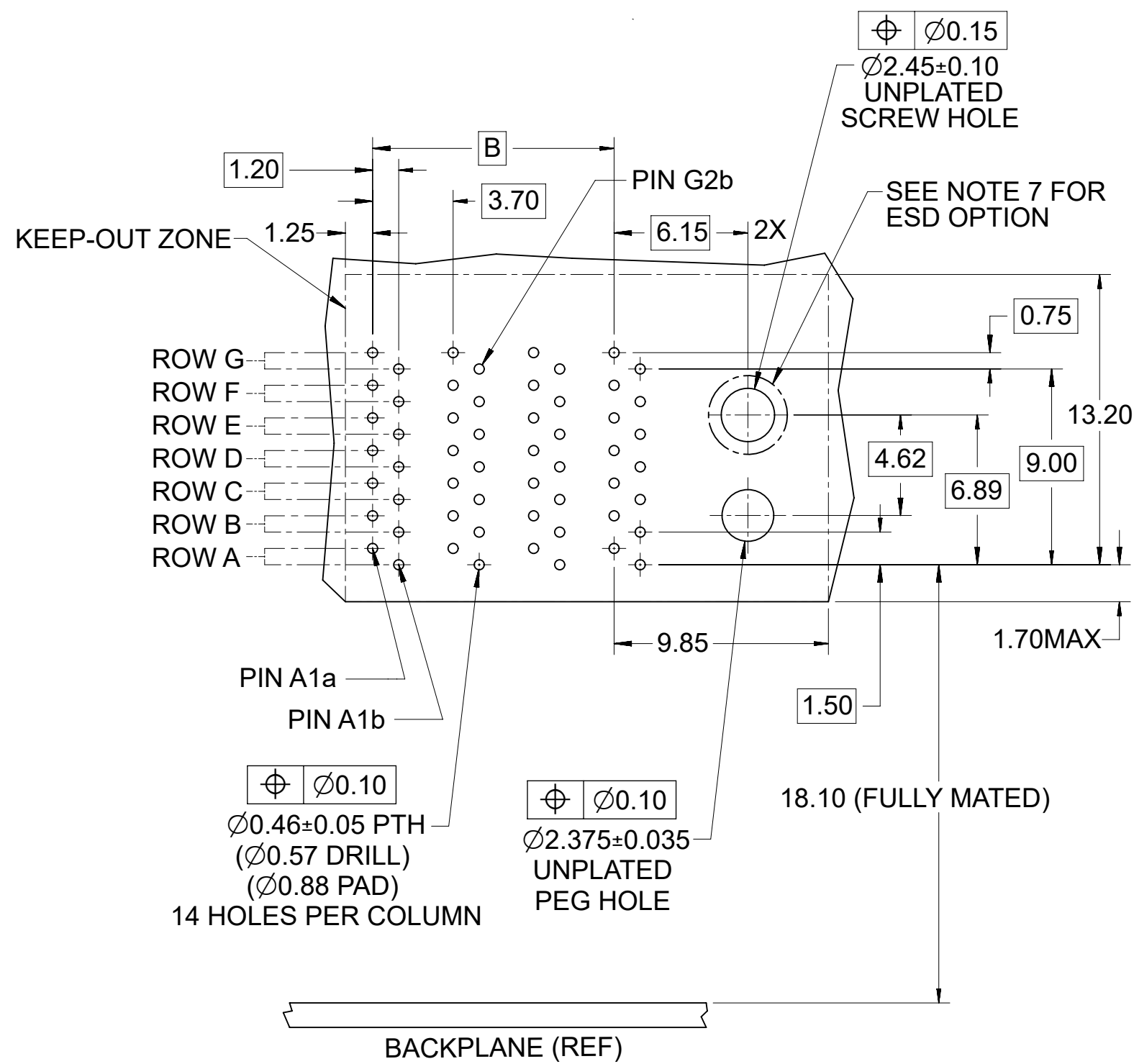
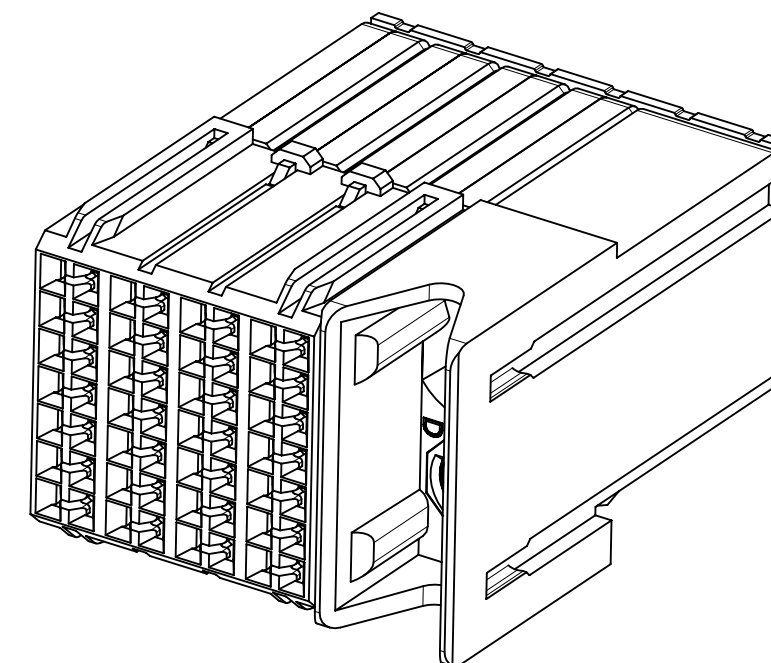
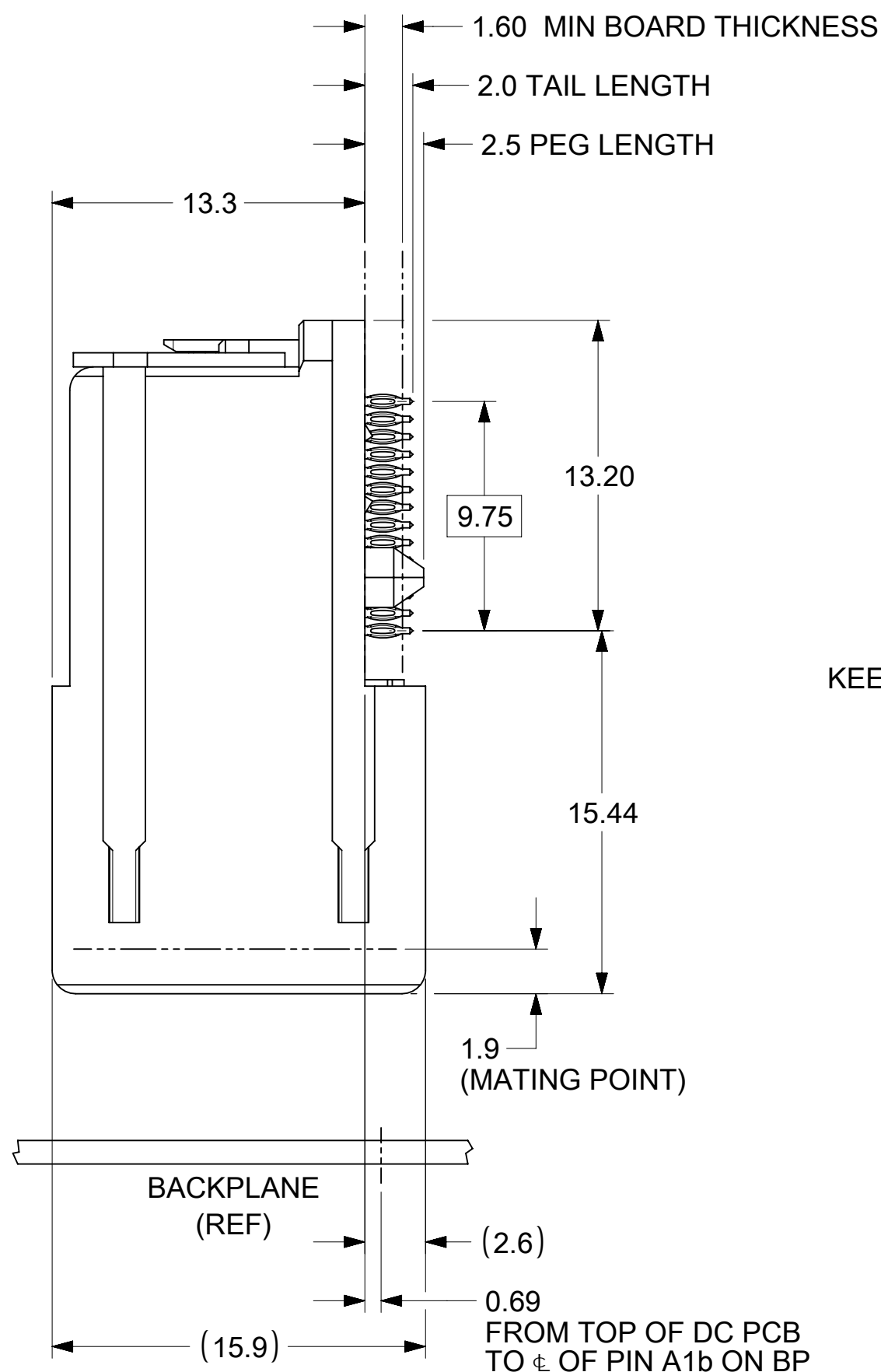


KEY SHOWN IN POSITION "E"



DAUGHTERCARD HOLE PATTERN (CONNECTOR SIDE)

NOTES:

- MATERIALS: HOUSING - LIQUID CRYSTAL POLYMER (LCP)GLASS-FILLED, UL 94V-0
TERMINALS - HIGH PERFORMANCE COPPER ALLOY
- FINISH: SELECTIVE GOLD (Au) IN CONTACT AREA,
SELECTIVE MATTE TIN (Sn) IN TAIL AREA;
NICKEL (Ni) UNDERPLATE OVERALL.
- REFER TO MOLEX PRODUCT SPECIFICATION PS-75710-999 FOR PERFORMANCE SPECS.
- PRODUCT IS PACKAGED PER PK-70873-607.
- THIS PART CONFORMS TO CLASS B REQUIREMENTS OF COSMETIC SPEC PS-45499-002.
- GUIDED PARTS TO BE SHIPPED WITH 2-32 TYPE AB
SELF-TAPPING SCREW P/N 73726-0005.
- FOR GROUNDED GUIDE MODULES USE DIA 2.45+/-0.10 (PTH), DIA 2.58 (DRILL),
AND DIA 4.50 (PAD).
- MAPS (MOLEX ADVANCED PLATING SYSTEM).

THIS DRAWING CONTAINS INFORMATION THAT IS PROPRIETARY TO MOLEX ELECTRONIC TECHNOLOGIES, LLC AND SHOULD NOT BE USED WITHOUT WRITTEN PERMISSION

DIMENSION UNITS	SCALE	CURRENT REV DESC: REMASTERED TO NX		molex			
mm	NTS						
GENERAL TOLERANCES (UNLESS SPECIFIED)				PRODUCT CUSTOMER DRAWING			
ANGULAR TOL	± 0.5°	EC NO: 671119		DOCUMENT NUMBER			
4 PLACES	±	DRWN: YOGEEB		SD-76020-004			
3 PLACES	±	CHK'D: VINODM3		DOC TYPE DOC PART REVISION			
2 PLACES	± 0.13	APPR: CWANG25		PSD 001 C1			
1 PLACE	± 0.25	INITIAL REVISION:		MATERIAL NUMBER			
0 PLACES	±	DRWN: BPISZCZOR		SEE TABLE			
DRAFT WHERE APPLICABLE MUST REMAIN WITHIN DIMENSIONS		APPR: JLAURX		DRAWING		CUSTOMER	
THIRD ANGLE PROJECTION		SERIES		GENERAL MARKET		SHEET NUMBER	
C-SIZE		76020		1 OF 2			

MATERIAL NUMBER	# OF COLUMNS	DIM. "A" MAX.	DIM. "B"
76020-***4	4	22.20	11.10
76020-***6	6	29.60	18.50
76020-***0	10	44.40	33.30

76020-***

MODULE STYLE AND TAIL PLATING TYPE
 4 = GUIDE RIGHT, MATTE TIN (FORMERLY TIN/LEAD)
 5 = GUIDE RIGHT, MATTE TIN

POLARIZATION KEY ORIENTATION
 0 = NO KEY
 1 = A
 2 = B
 3 = C
 4 = D
 5 = E
 6 = F
 7 = G
 8 = H

OF COLUMNS/PLATING
 04 = 4 COL 30 GOLD
 06 = 6 COL 30 GOLD
 10 = 10 COL 30 GOLD
 44 = 4 COL 10 GOLD (MAPS)
 46 = 6 COL 10 GOLD (MAPS)
 40 = 10 COL 10 GOLD (MAPS)
 54 = 4 COL W/ESD CLIP 30 GOLD
 56 = 6 COL W/ESD CLIP 30 GOLD
 50 = 10 COL W/ESD CLIP 30 GOLD
 74 = 4 COL W/ESD CLIP 10 GOLD (MAPS)
 76 = 6 COL W/ESD CLIP 10 GOLD (MAPS)
 70 = 10 COL W/ESD CLIP 10 GOLD (MAPS)

THIS DRAWING CONTAINS INFORMATION THAT IS PROPRIETARY TO MOLEX ELECTRONIC TECHNOLOGIES, LLC AND SHOULD NOT BE USED WITHOUT WRITTEN PERMISSION													
DIMENSION UNITS		SCALE		CURRENT REV DESC: REMASTERED TO NX				molex					
mm		NTS											
GENERAL TOLERANCES (UNLESS SPECIFIED)				EC NO: 671119 DRWN: YOGEEB 2021/06/17 CHK'D: VINODM3 2022/01/31 APPR: CWANG25 2022/02/18 INITIAL REVISION: DRWN: BPISZCZOR 2007/03/19 APPR: JLAURX 2007/03/19				I-TRAC DAUGHTERCARD 7 ROW GUIDE RIGHT SIGNAL MODULE					
ANGULAR TOL		± 0.5°						PRODUCT CUSTOMER DRAWING					
4 PLACES		±						DOCUMENT NUMBER					
3 PLACES		±						SD-76020-004		DOC TYPE		DOC PART	
2 PLACES		± 0.13						PSD		001		REVISION	
1 PLACE		± 0.25		2007/03/19		C1							
0 PLACES		±		2007/03/19									
DRAFT WHERE APPLICABLE MUST REMAIN WITHIN DIMENSIONS				THIRD ANGLE PROJECTION		DRAWING		SERIES					
						C-SIZE		76020					
DOCUMENT STATUS				P1		RELEASE DATE		2022/02/18 05:04:24					
12				11		10		9					
8				7		6		5					
4				3		2		1					
2 OF 2				GENERAL MARKET		SEE TABLE							